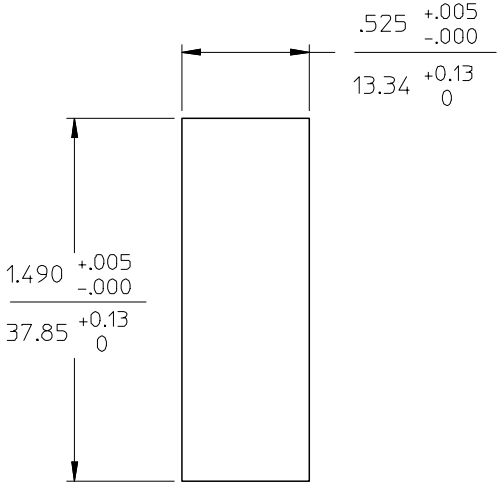
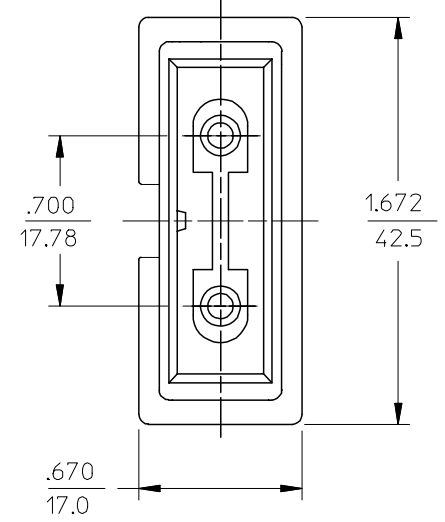
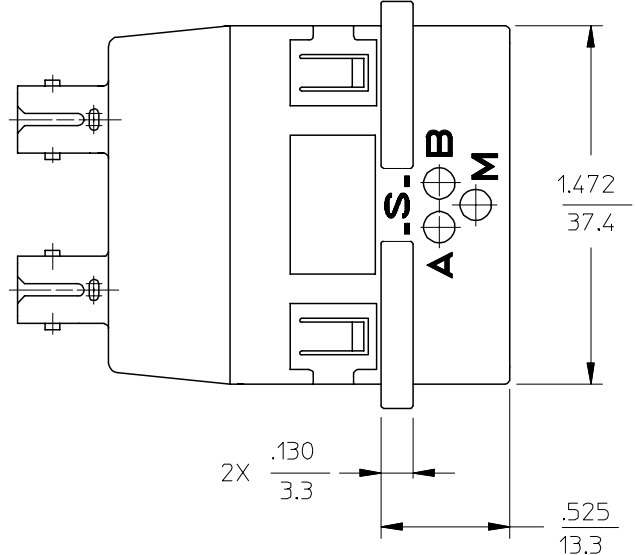
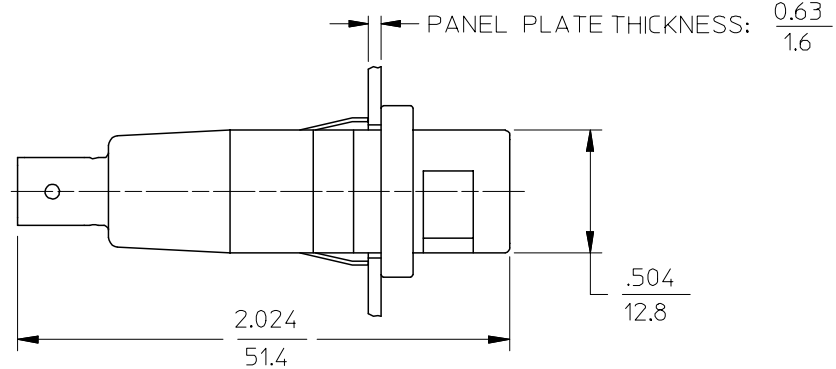


| | | |
|----------------|--------------------|---------------------------|
| P/N OF ADAPTER | MATERIAL OF SLEEVE | COLOR OF DUST CAP & COVER |
| 106130-0500 | CERAMIC | BLACK |
| 106133-0500 | PLASTIC | RED |



RECOMMENDED MOUNTING HOLE



NOTE:
1. ALL DIMENSIONS ARE FOR REFERENCE ONLY EXCEPT THOSE ON MOUNTING HOLE.

| | | | | | | | | |
|---|-------------------------------|---------------------------------------|-------|---|--------------|--------------------------------|------------------------|--|
| ENTER DESCRIPTION EC NO: MF2006-0176 DRWN:PGIBLIN CHKD: APPR:IGUMIN 2005/12/15 2005/12/16 2005/12/16 | QUALITY SYMBOLS ▽=0 ▽=0 | GENERAL TOLERANCES (UNLESS SPECIFIED) | | DIMENSION STYLE | SCALE | DESIGN UNITS | THIRD ANGLE PROJECTION | |
| | | mm | INCH | IN/MM | 2:1 | INCH | | |
| | | 4 PLACES ± --- | ± --- | PGIBLIN | DATE | TITLE | | |
| | | 3 PLACES ± --- | ± --- | CHECKED BY | DATE | ST-FDDI ADAPTER (SMALL FLANGE) | | |
| 2 PLACES ± --- | ± --- | APPROVED BY | DATE | MOLEX INCORPORATED | | | | |
| 1 PLACE ± --- | ± --- | ANGULAR ±1/2° | | MATERIAL NO. | DOCUMENT NO. | SHEET NO. | | |
| DRAFT WHERE APPLICABLE MUST REMAIN WITHIN DIMENSIONS | | SEE TABLE | | SD-10613X-0500 | | 1 OF 01 | | |
| | | | | THIS DRAWING CONTAINS INFORMATION THAT IS PROPRIETARY TO MOLEX INCORPORATED AND SHOULD NOT BE USED WITHOUT WRITTEN PERMISSION | | | | |