

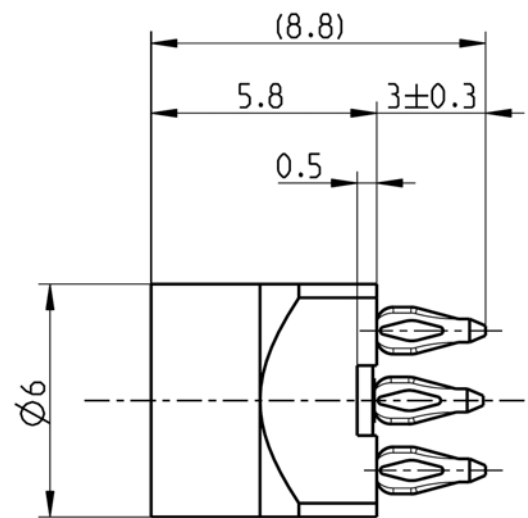
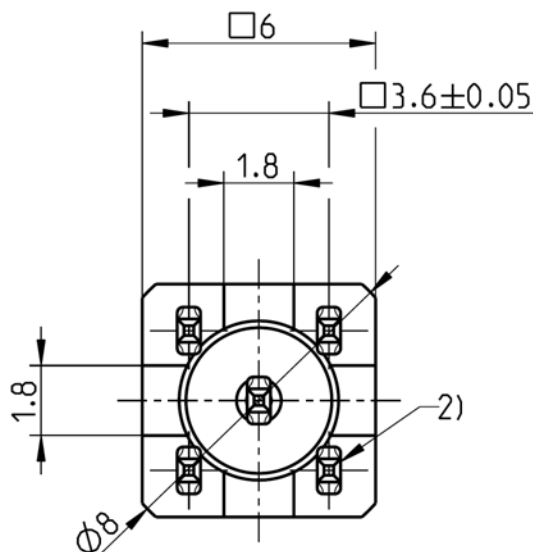
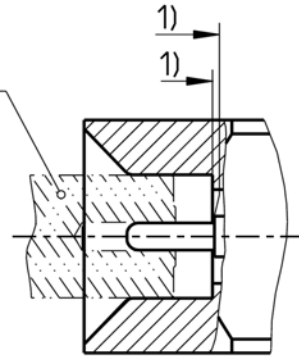
Long-wipe
SMP

STRAIGHT PLUG PCB
CATCHERS MIT

17S14A-40PL5

1) press-in reference
2) any radial position

press-in tool
(built by customer)



All dimensions are in mm; tolerances according to ISO 2768 m-H

Interface

Related to
According to

MIL-STD-348A, Fig. 326
Rosenberger 17S000-000

Documents

Panel piercing

B86a

Material and plating

Connector parts

Center contact
Outer contact
Dielectric

Material

CuBe
Brass
PTFE

Plating

AuroDur®, gold plated
AuroDur®, gold plated

Dieses Dokument ist urheberrechtlich geschützt • This document is protected by copyright • Rosenberger Hochfrequenztechnik GmbH & Co. KG

RF_35/05.10/6.0

Long-wipe
SMP

STRAIGHT PLUG PCB
CATCHERS MIT

17S14A-40PL5

Electrical data

Impedance	50 Ω
Frequency	DC to 6 GHz
Return loss	≥ 28 dB, DC to 3 GHz
	≥ 23 dB, 3 to 6 GHz
Insertion loss	≤ 0.05 x √f(GHz) dB, DC to 12 GHz
Insulation resistance	≥ 5 x10 ³ MΩ
Center contact resistance	≤ 6.0 mΩ
Outer contact resistance	≤ 2.0 mΩ
Test voltage (at sea level)	500 V rms
Working voltage (at sea level)	335 V rms
Contact Current	1.2A DC max.

- VSWR in application depends decisive on PCB layout -

Mechanical data

Mating cycles	≥ 1000
Center contact captivation:	≥ 7 N
Engagement force	
- catchers mit	9 N max.
Disengagement force	
- catchers mit	2.2 N min.

Environmental data

Temperature range	-65°C to +155°C
Thermal shock	MIL-STD-202, Meth. 107, Cond. B
Vibration	MIL-STD-202, Meth. 204, Cond. B
Shock	MIL-STD-202, Meth. 213, Cond. A
Moisture resistance	MIL-STD-202, Meth. 106
Max. soldering temperature	IEC 61760-1, +260°C for 10 sec.
2002/95/EC (RoHS)	compliant

Tooling

N/A

Suitable cables

N/A

Weight

Weight 1,11 g/pce

While the information has been carefully compiled to the best of our knowledge, nothing is intended as representation or warranty on our part and no statement herein shall be construed as recommendation to infringe existing patents. In the effort to improve our products, we reserve the right to make changes judged to be necessary.

Draft	Date	Approved	Date	Rev.	Engineering change number	Name	Date
Gramsamer Josef	02/11/09	Sa. Krautenbacher	11.03.14	c00	14-0352	T. Krojer	11.03.14

Rosenberger Hochfrequenztechnik GmbH & Co. KG P.O.Box 1260 D-84526 Tittmoning Germany www.rosenberger.de				Tel. : +49 8684 18-0 Fax : +49 8684 18-499 Email : info@rosenberger.de		Page 2 / 2	
--	--	--	--	---	--	---------------	--