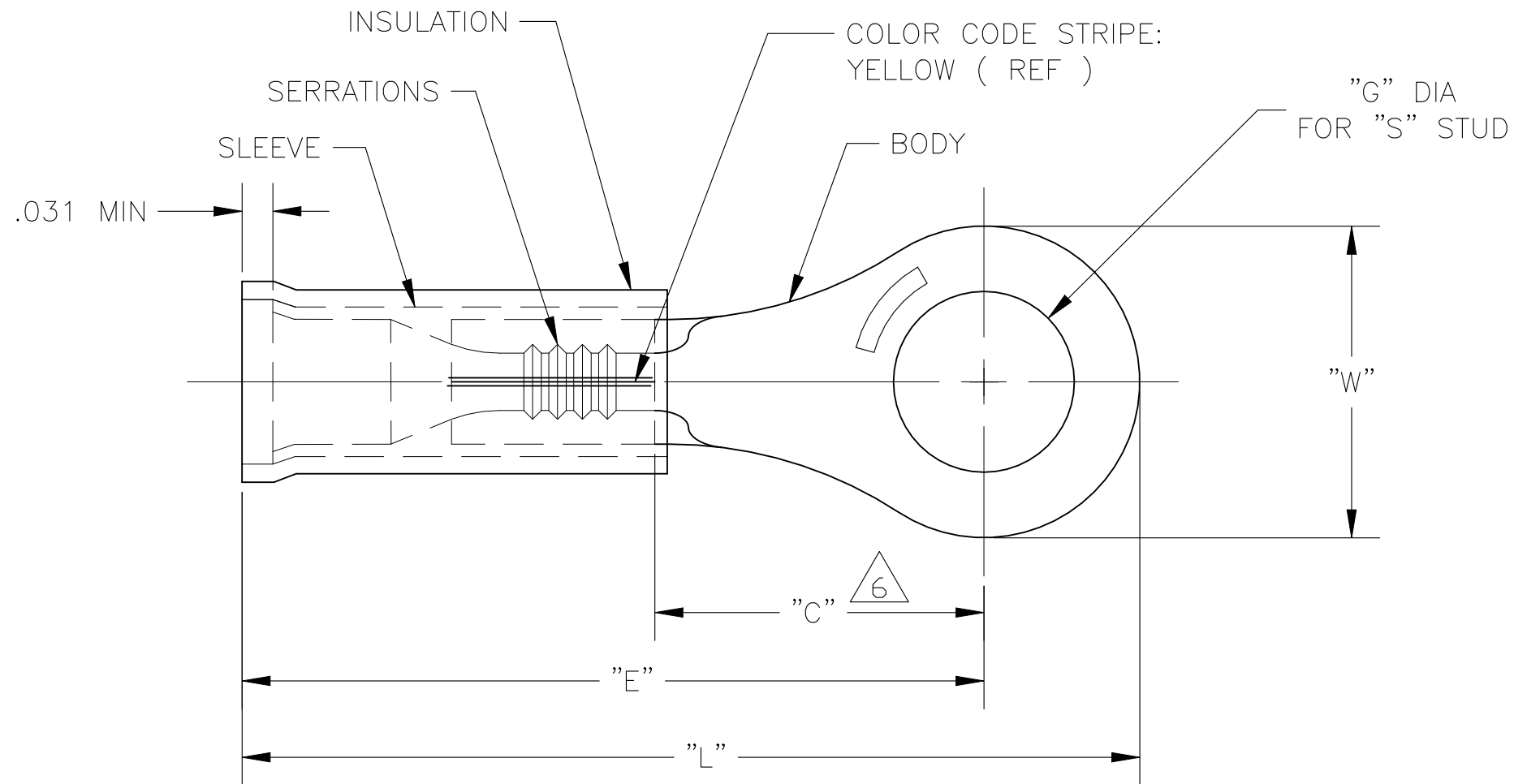


REVISIONS					
P	LTR	DESCRIPTION	DATE	DWN	APVD
	A4	REV PER ECN-22-150900	28APR2022	RK	CSD



1 MUST BE CRIMPED WITH A 22-18 OR 22-16 P.I.D.G. ( RED ) TOOL.

2 WIRE INSULATION DIA .032-.082

3 TONGUE MATERIAL THK: .027±.002

4 BODY & SLEEVE: TIN PLATE PER ASTM B545.

5 MATERIAL: BODY & SLEEVE: CU PER ASTM B152 INSULATION: PVF2, COLOR - NATURAL

6 APPLIES FROM EDGE OF METAL WIRE BARREL TO CENTER OF STUD HOLE.

7 150°C MAX OPERATING TEMP

8 CMA RANGE IS 202-509

"W"	"C"	"E"	"G"	"S"	"L"	QTY	PACKAGE TYPE	PART NO.
.203	.211 MIN	.632 MAX	.093±.003	#2	.741 MAX	1000	LOOSE PIECE	696420-1
.203	.211 MIN	.632 MAX	.119±.003	#4	.741 MAX	1000	LOOSE PIECE	696420-2
.250	.243 MIN	.664 MAX	.145±.003	#6	.797 MAX	1000	LOOSE PIECE	696420-3
.281	.250 MIN	.671 MAX	.171±.003	#8	.819 MAX	1000	LOOSE PIECE	696420-5
.312	.281 MIN	.702 MAX	.197±.003	#10	.866 MAX	1000	LOOSE PIECE	696420-6

THIS DRAWING IS A CONTROLLED DOCUMENT.		DWN JR RUTH 29JUN05	TE Connectivity		
DIMENSIONS: INCHES		CHK T MICHIELUTTI 29JUN05			
TOLERANCES UNLESS OTHERWISE SPECIFIED:		APVD T MICHIELUTTI 29JUN05	NAME TERMINAL, PVF2, RING TONGUE, PIDG, WIRE SIZE: 26-24 AWG		
0 PLC ± - 1 PLC ± - 2 PLC ± - 3 PLC ± - 4 PLC ± - ANGLES ± -		PRODUCT SPEC -	APPLICATION SPEC -		
MATERIAL - 5		FINISH - 4	SIZE A3	CAGE CODE 00779	DRAWING NO C-696420
CUSTOMER DRAWING			RESTRICTED TO -	SCALE 8:1	SHEET 1 OF 1
			REV A4		