



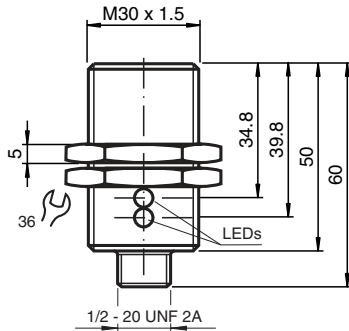
Inductive sensor

NBB15-30GM50-US-V12

- Basic series
- 15 mm flush
- 2-wire AC/DC



Dimensions



Technical Data

General specifications			
Switching function			Normally open (NO)
Output type			Two-wire
Rated operating distance	s_n		15 mm
Installation			flush
Output polarity			AC/DC
Reduction factor r_{Al}			0.5
Reduction factor r_{Cu}			0.45
Reduction factor r_{304}			0.75
Output type			3-wire
Nominal ratings			
Operating voltage	U_B		20 ... 250 V AC/20 ... 300 V DC
Switching frequency	f		30 Hz
Hysteresis	H		3 ... 15 typ. 5 %
Reverse polarity protection			reverse polarity tolerant
Short-circuit protection			yes
Voltage drop	U_d		≤ 8 V
Operating current	I_L		4 ... 500 mA AC/DC
Off-state current	I_r		≤ 0.8 mA

Release date: 2022-06-22 Date of issue: 2022-06-22 Filename: 198090_eng.pdf

Refer to "General Notes Relating to Pepperl+Fuchs Product Information".

Pepperl+Fuchs Group
www.pepperl-fuchs.com

USA: +1 330 486 0001
fa-info@us.pepperl-fuchs.com

Germany: +49 621 776 1111
fa-info@de.pepperl-fuchs.com

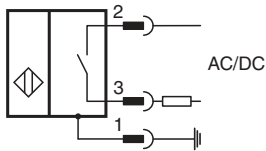
Singapore: +65 6779 9091
fa-info@sg.pepperl-fuchs.com

PF PEPPERL+FUCHS

Technical Data

Operating voltage indicator	LED, green
Switching state indicator	LED, yellow
Functional safety related parameters	
MTTF _d	1036 a
Mission Time (T _M)	20 a
Diagnostic Coverage (DC)	0 %
Compliance with standards and directives	
Standard conformity	
Standards	EN 60947-5-2:2007 EN 60947-5-2/A1:2012 IEC 60947-5-2:2007 IEC 60947-5-2 AMD 1:2012
Approvals and certificates	
UL approval	cULus Listed, General Purpose
CSA approval	cCSAus Listed, General Purpose
CCC approval	Certified by China Compulsory Certification (CCC)
Ambient conditions	
Ambient temperature	-25 ... 70 °C (-13 ... 158 °F)
Storage temperature	-40 ... 85 °C (-40 ... 185 °F)
Mechanical specifications	
Connection type	Connector plug 1/2"-20 UN , 3-pin
Housing material	brass, nickel-plated
Sensing face	PBT
Degree of protection	IP67

Connection



Connection Assignment





Wire colors

- 1 | GN (green)
- 2 | RD/BK (red/black)
- 3 | RD/WH (red/white)

Release date: 2022-06-22 Date of issue: 2022-06-22 Filename: 198090_eng.pdf

Accessories

	<p>BF 30</p>	<p>Mounting flange, 30 mm</p>
	<p>V12-G-YE2M-PVC</p>	<p>Connecting cable, 1/2" - 20 UNF, 3-pin, PVC cable</p>

Release date: 2022-06-22 Date of issue: 2022-06-22 Filename: 198090_eng.pdf

Refer to "General Notes Relating to Pepperl+Fuchs Product Information".

Pepperl+Fuchs Group
www.pepperl-fuchs.com

USA: +1 330 486 0001
fa-info@us.pepperl-fuchs.com

Germany: +49 621 776 1111
fa-info@de.pepperl-fuchs.com

Singapore: +65 6779 9091
fa-info@sg.pepperl-fuchs.com