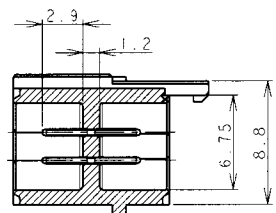
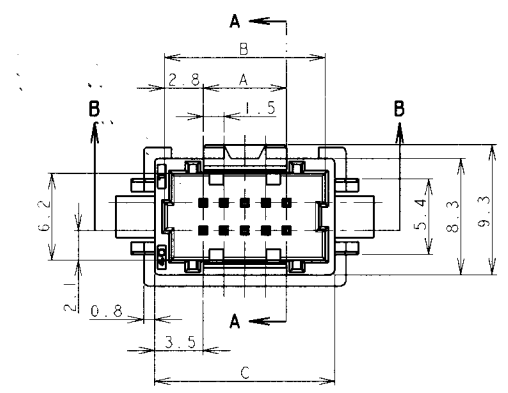
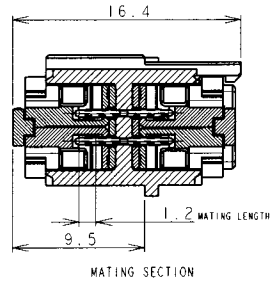


THIS DRAWING IS UNPUBLISHED
 RELEASED FOR PUBLICATION
 ALL RIGHTS RESERVED

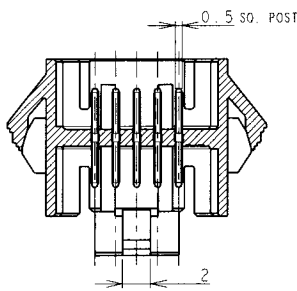
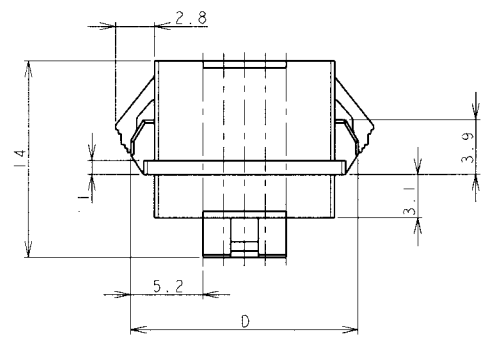
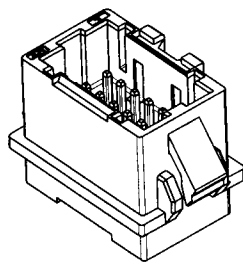
LOC	DIST	REVISIONS					
FB	00	P	LTR	DESCRIPTION	DATE	DWN	APWD
		P		REVISED PER ECO-11-005033	19APR11	RK	HMR



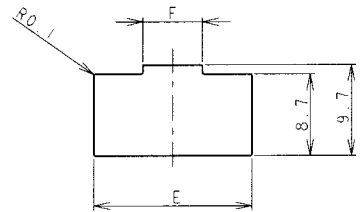
SECT A-A



MATING SECTION

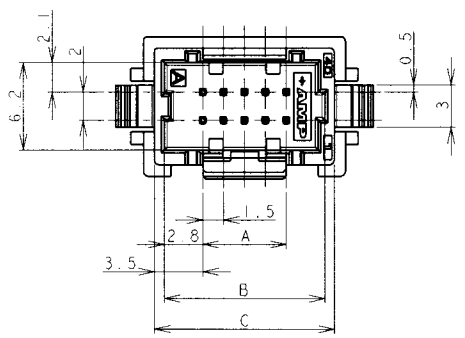


SECT B-B



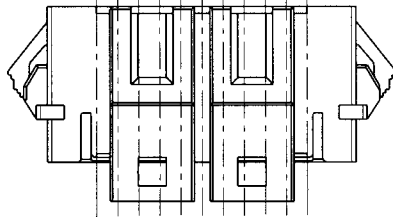
PANEL CUTOUT DIMENSION (TOLERANCE ± 0.1 mm)
 (RECOMMENDED PANEL THICKNESS 0.8mm-1.6mm)

- NOTES
1. MATERIAL
 HOUSING: 66NYLON(94V-0) COLOR: WHITE, BLUE
 POST: TIN BRASS WIRE
 2. THE PANEL SHOULD BE PUNCHED SO THAT THE HOUSING ENTERS THE PANEL IN THE SAME DIRECTION AS PUNCH.

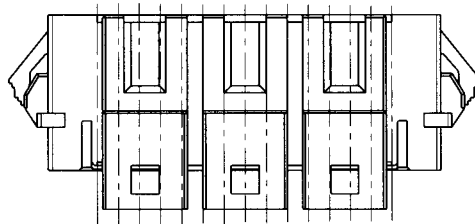


DIMENSIONS mm 		TOLERANCES UNLESS OTHERWISE SPECIFIED: 10 \pm 0.2 30 \pm 0.25 100 \pm 0.3 ANGLE \pm 3°		DWN J. JIANG 04FEB03 CHK S. YAO 04FEB03 APVD T. SASAKI 04FEB03 PRODUCT SPEC 108-60018 APPLICATION SPEC 114-5223 WEIGHT MATERIAL SEE NOTE 1 FINISH SEE NOTE 1 CUSTOMER DRAWING		DWG NAME TE Connectivity AMP MINI COMMON TERMINATED (CT) CONNECTOR 1.5 mm PITCH DOUBLE ROW POST HEADER ASS'Y PANEL MOUNT TYPE	
SIZE A3 CAGE CODE 00779 DRAWING NO. C-292216		RESTRICTED TO					
SCALE		SHEET 1 OF 2		REV P			

LOC	DIST	REVISIONS						
FB	00	P	LTR	DESCRIPTION	DATE	DWN	APVD	
		-		SEE SHEET 1	-	-	-	



22~28 Pos.



30~40 Pos.

2.37	20.6	39.5	38.9	35.5	34.1	28.5	40	9-292216-0	4-292216-0
2.30	20.6	38.0	37.4	34.0	32.6	27.0	38	8-292216-8	3-292216-8
2.21	20.6	36.5	35.9	32.5	31.1	25.5	36	8-292216-6	3-292216-6
2.13	20.6	35.0	34.4	31.0	29.6	24.0	34	8-292216-4	3-292216-4
2.05	20.6	33.5	32.9	29.5	28.1	22.5	32	8-292216-2	3-292216-2
1.97	20.6	32.0	31.4	28.0	26.6	21.0	30	8-292216-0	3-292216-0
1.82	13.5	30.5	29.9	26.5	25.1	19.5	28	7-292216-8	2-292216-8
1.74	13.5	29.0	28.4	25.0	23.6	18.0	26	7-292216-6	2-292216-6
1.63	13.5	27.5	26.9	23.5	22.1	16.5	24	7-292216-4	2-292216-4
1.55	13.5	26.0	25.4	22.0	20.6	15.0	22	7-292216-2	2-292216-2
WEIGHT (g)	F	E	D	C	B	A	Pos	BLUE	WHITE
	DIMENSIONS							P/N	

RELEASED FOR PUBLICATION

ALL RIGHTS RESERVED.

THIS DRAWING IS UNPUBLISHED.

COPYRIGHT BY

DIMENSIONS: mm	DWN	MATERIAL	FINISH
TOLERANCES UNLESS OTHERWISE SPECIFIED: 10 > : ±0.2 30 > 10 : ±0.25 100 > 30 : ±0.3 ANGLE : ±3°	CHK	SEE SHEET 1	SEE SHEET 1
	APVD		
	PRODUCT SPEC		
	APPLICATION SPEC	NAME AMP MINI COMMON TERMINATED (CT) CONNECTOR 1.5 mm PITCH DOUBLE ROW POST HDR ASS'Y PANEL MOUNT TYPE	
	WEIGHT	SIZE	RESTRICTED TO
	CUSTOMER DRAWING	A4 00779 C-292216	
		SCALE	SHEET 2 OF 2 REV P