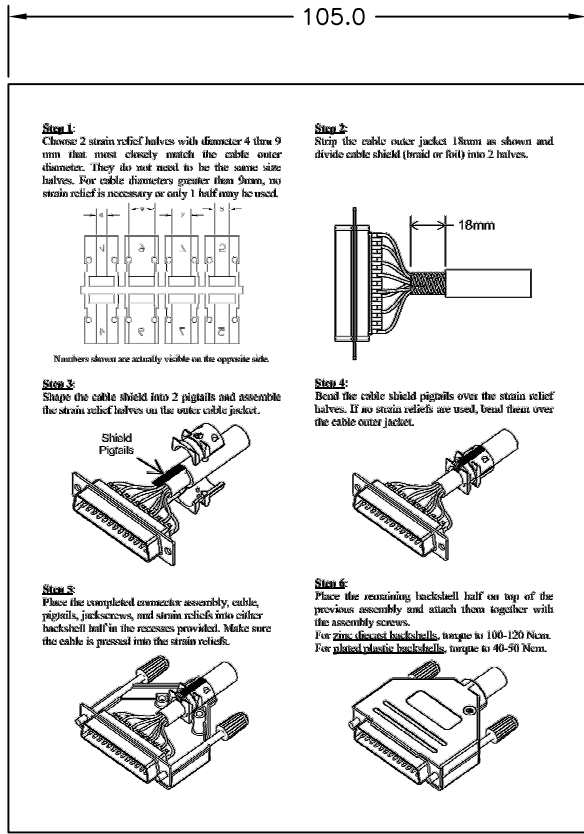
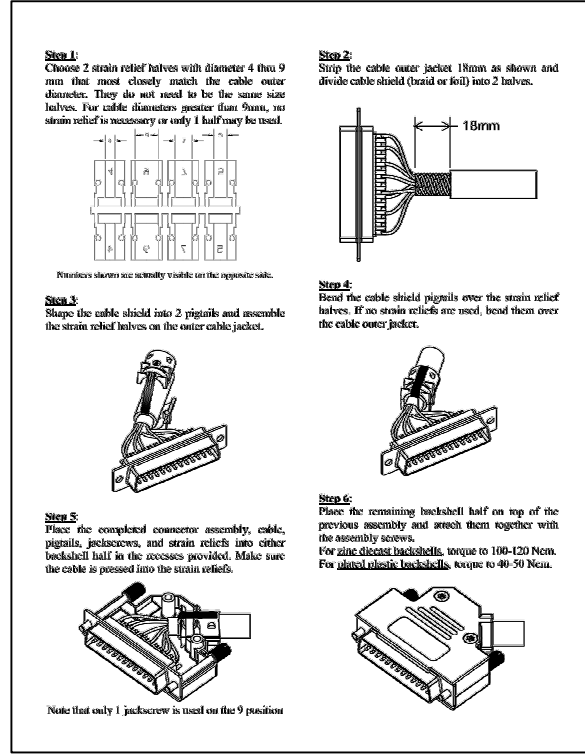


THIS DRAWING IS UNPUBLISHED. RELEASED FOR PUBLICATION  
 © COPYRIGHT - By - ALL RIGHTS RESERVED.

LOC	DIST	REVISIONS					
GP	00	P	LTR	DESCRIPTION	DATE	DWN	APVD
		A		ORIGINAL	14NOV2012	CJV	CWR



SIDE 1



SIDE 2

2227518-1  
 PART NUMBER

THIS DRAWING IS A CONTROLLED DOCUMENT. DIMENSIONING AND TOLERANCING PER ASME Y14.5M-2009		DWN C. VALENTINE 14NOV2012	TE Connectivity	
DIMENSIONS: mm		CHK C. ROHDE 14NOV2012	NAME	
TOLERANCES UNLESS OTHERWISE SPECIFIED:		APVD C. ROHDE 14NOV2012	LEAFLET	
0 PLC ±		PRODUCT SPEC	ASSEMBLY INSTRUCTIONS	
1 PLC ±		APPLICATION SPEC	ZINC AND PLATE BACKSHELLS	
2 PLC ±		WEIGHT	SIZE	CAGE CODE
3 PLC ±		-	A3	00779
4 PLC ±			DRAWING NO	
ANGLES ±		G=2227518		RESTRICTED TO
MATERIAL	FINISH	CUSTOMER DRAWING		SHEET 1 of 1
-	-	SCALE NTS		REV A