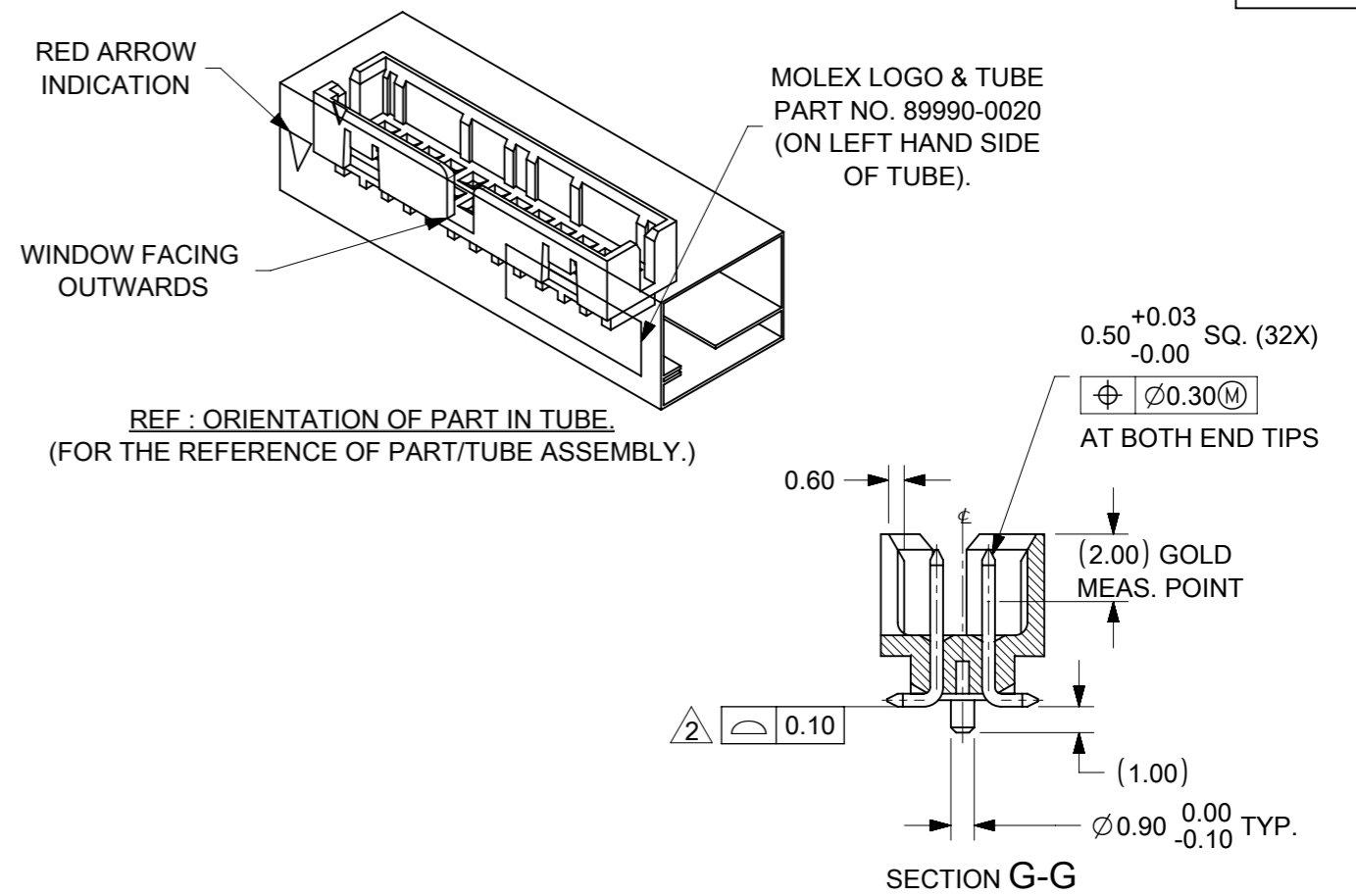


RECOMMENDED PCB PATTERN



REF : ORIENTATION OF PART IN TUBE.  
(FOR THE REFERENCE OF PART/TUBE ASSEMBLY.)

NOTES:

- MATERIAL:  
HSG: 30% G.F. UL94V-0, NYLON 46, COLOR BLACK.  
PIN: 0.50mm SQ. PHOSPHOR BRONZE.
- COPLANARITY IS TO BE MEASURED BY RESTING THE SOLDER TAIL ON A FLAT GAUGE SURFACE.
- FINISH:  
0.38µm / 15µin MIN. GOLD IN CONTACT AREA AND  
1.88µm / 75µin MIN. TIN IN SOLDER TAIL AREA OVER  
1.27µm / 50µin MIN. NICKEL OVERALL.
- PIN PUSHOUT FORCE: 0.91kg MIN. IN EITHER DIRECTION.
- THIS HEADER MATES MOLEX:  
a) CRIMP RECEPTACLE HOUSING, 51110 SERIES  
WITH CRIMP TERMINAL, 50394 SERIES.  
b) 2mm MILLIGRID DUAL ROW IDT, 87568 SERIES.
- PARTS SHALL BE PACKED IN MOISTURE BARRIER BAG WITH DESICCANT GEL.

THIS DRAWING CONTAINS INFORMATION THAT IS PROPRIETARY TO MOLEX ELECTRONIC TECHNOLOGIES, LLC AND SHOULD NOT BE USED WITHOUT WRITTEN PERMISSION									
DIMENSION UNITS	SCALE	CURRENT REV DESC: ADDED BTB DIST.							
mm	1:1								
GENERAL TOLERANCES (UNLESS SPECIFIED)									
ANGULAR TOL	± 3.0°	MGRID, 2MM, SHRD HDR W/SLOT, STANDOFFS, LOC. PINS & END WALLS, SMT							
4 PLACES	±	PRODUCT CUSTOMER DRAWING							
3 PLACES	±	DOCUMENT NUMBER							
2 PLACES	± 0.2	DOC TYPE							
1 PLACE	±	DOC PART							
0 PLACES	±	REVISION							
DRAFT WHERE APPLICABLE MUST REMAIN WITHIN DIMENSIONS		THIRD ANGLE PROJECTION	DRAWING	SERIES	MATERIAL NUMBER	CUSTOMER	SHEET NUMBER		
			A3-SIZE	87832	SEE TABLE	GENERAL MARKET	1 OF 2		

**BOARD TO BOARD (BTB) DISTANCE**

HEADER	MATES WITH (RECEPTACLE)	BTB DIST.	PICTORIAL VIEW
87832	79107	8.14	
	78787	8.14	
	79108	8.14	
	79109	8.35	
	78788	8.35	

THIS DRAWING CONTAINS INFORMATION THAT IS PROPRIETARY TO MOLEX ELECTRONIC TECHNOLOGIES, LLC AND SHOULD NOT BE USED WITHOUT WRITTEN PERMISSION									
DIMENSION UNITS	SCALE	CURRENT REV DESC: ADDED BTB DIST.							
mm	1:1								
GENERAL TOLERANCES (UNLESS SPECIFIED)		EC NO: 619055			MGRID, 2MM, SHRD HDR W/SLOT, STANDOFFS, LOC. PINS & END WALLS, SMT				
ANGULAR TOL	± 3.0 °	DRWN: HK02 2019/05/21							
4 PLACES	±	CHK'D: NMANE02 2019/07/09			PRODUCT CUSTOMER DRAWING				
3 PLACES	±	APPR: MRAMAKRISHNA 2019/07/09							
2 PLACES	± 0.2	INITIAL REVISION:			DOCUMENT NUMBER: SD-87832-020 DOC TYPE: PSD DOC PART: 001 REVISION: A5				
1 PLACE	±	DRWN: ATSEE 2004/11/05							
0 PLACES	±	APPR: SKTOH 2004/11/18			MATERIAL NUMBER: 87832 CUSTOMER: GENERAL MARKET SHEET NUMBER: 2 OF 2				
DRAFT WHERE APPLICABLE MUST REMAIN WITHIN DIMENSIONS		THIRD ANGLE PROJECTION	DRAWING	SERIES					
			A3-SIZE	87832					