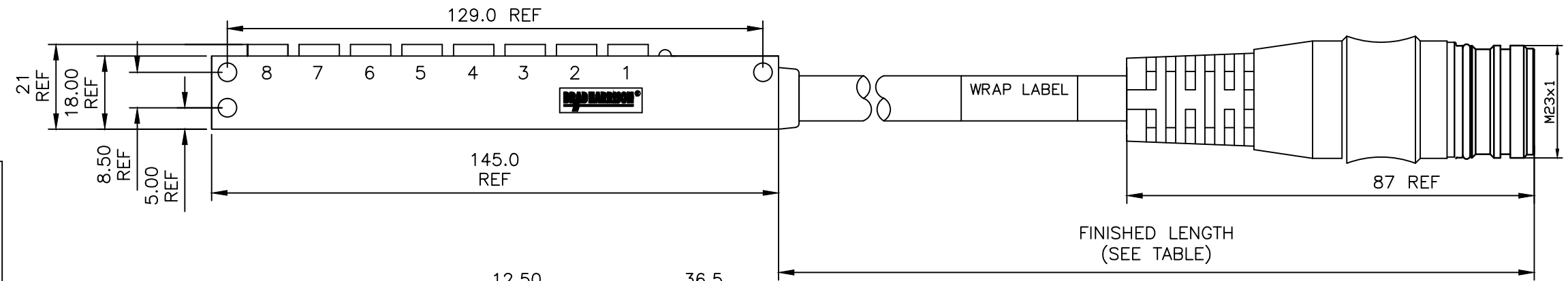


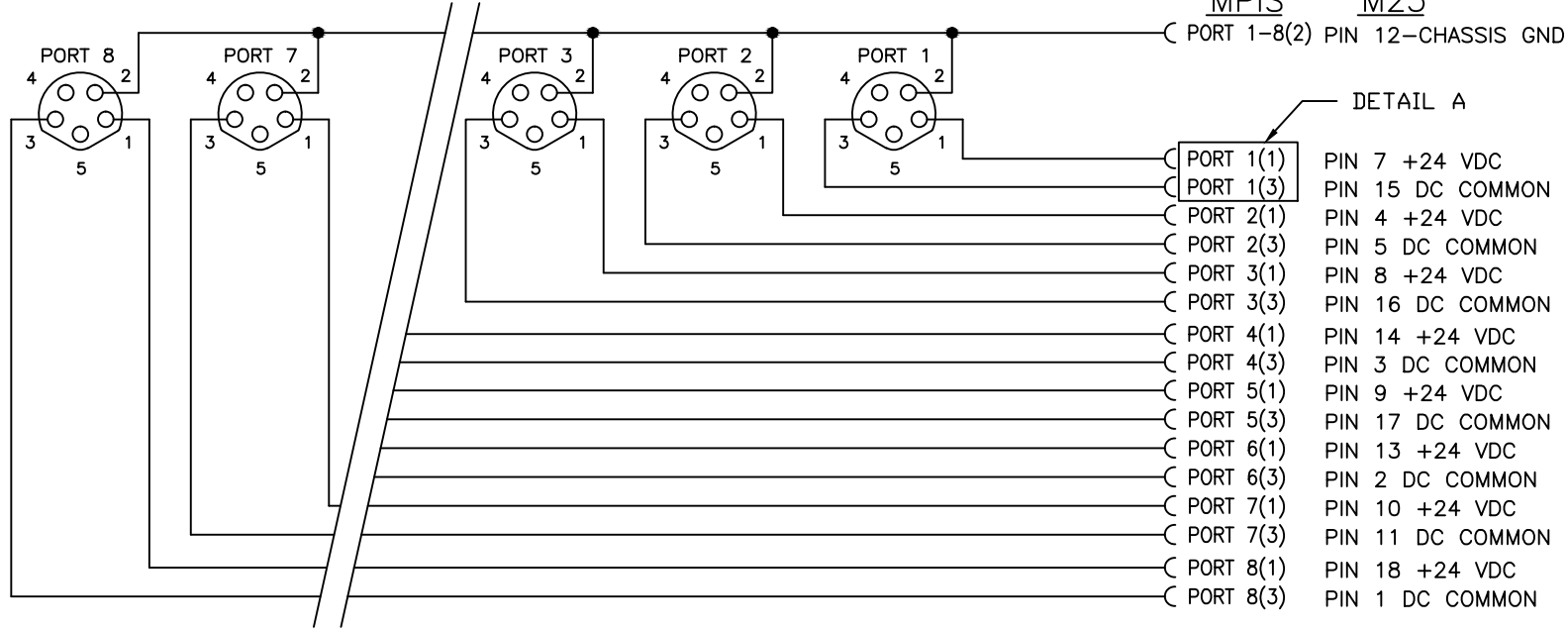
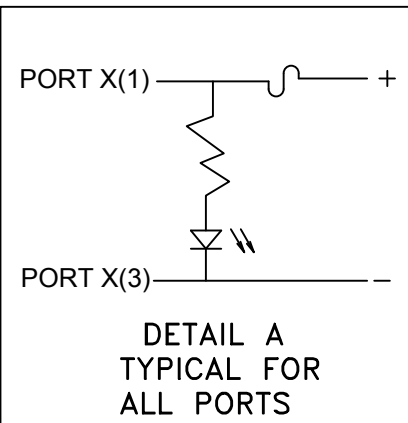
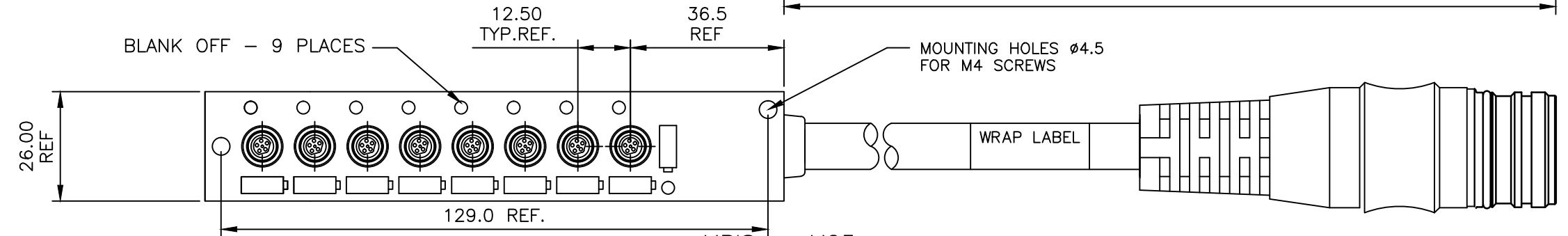
F

CUSTOMER PRODUCTION APPROVAL
 APPROVED BY: _____
 DATE: _____
 MUST BE SIGNED AND RETURNED BEFORE
 PRODUCTION WILL BEGIN.

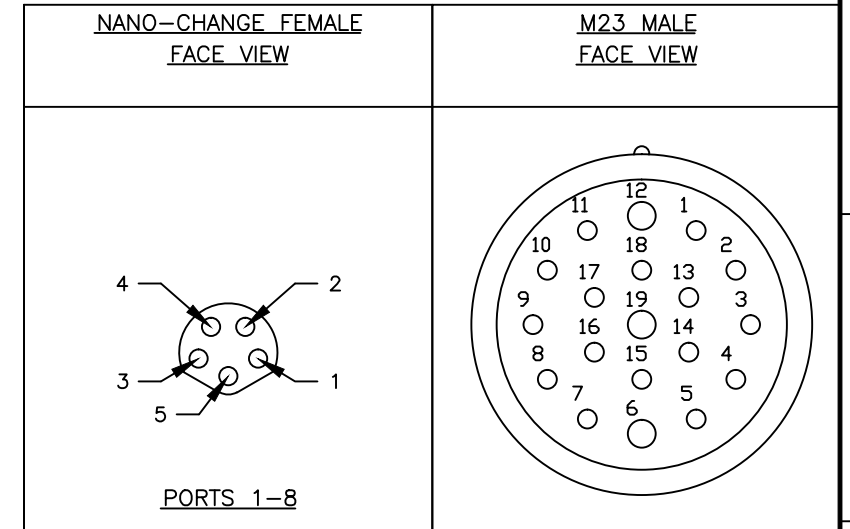
SALES DRAWING



E



- PORT 1(1) PIN 7 +24 VDC
- PORT 1(3) PIN 15 DC COMMON
- PORT 2(1) PIN 4 +24 VDC
- PORT 2(3) PIN 5 DC COMMON
- PORT 3(1) PIN 8 +24 VDC
- PORT 3(3) PIN 16 DC COMMON
- PORT 4(1) PIN 14 +24 VDC
- PORT 4(3) PIN 3 DC COMMON
- PORT 5(1) PIN 9 +24 VDC
- PORT 5(3) PIN 17 DC COMMON
- PORT 6(1) PIN 13 +24 VDC
- PORT 6(3) PIN 2 DC COMMON
- PORT 7(1) PIN 10 +24 VDC
- PORT 7(3) PIN 11 DC COMMON
- PORT 8(1) PIN 18 +24 VDC
- PORT 8(3) PIN 1 DC COMMON



PIN	FUNCTION	PIN	FUNCTION
1	V+ 24 VDC		SEE WIRING SCHEMATIC
2	CHASSIS GROUND		
3	POWER COMMON (V-)		
4	NO CONNECTION		
5	NO CONNECTION		

SPECIFICATION

CABLE: 16 X 0.34MM & 2 X 0.75MM
 HOUSING: YELLOW PBT
 BODY: BLACK PUR
 CONTACT MATERIAL: BRASS
 CONTACT PLATING: GOLD OVER PALLADIUM/NICKEL
 COUPLING NUT: NICKEL PLATED BRASS

AMPERAGE PER PORT: 1.5 AMPS
 INRUSH CURRENT: 3 AMPS @ 3 SECONDS
 TOTAL AMPERAGE: 12.0 AMPS
 FUSE: LITTELFUSE PTC P/N: 2920L150

PART NUMBER:	FINISHED LENGTH:
1300380032	2.95 METERS
1300380033	1.10 METERS
1300380034	3.30 METERS

ADDED PIN 1300380034 EC NO: IPG2015-1809 DRWN: MZIELINS 2015/04/15 CHKD: --- APPR: JFMURPHY 2015/01/26	QUALITY SYMBOLS ▽=0 ▽=0	GENERAL TOLERANCES (UNLESS SPECIFIED)		DIMENSION STYLE MM ONLY		SCALE 3:2	DESIGN UNITS METRIC	THIRD ANGLE PROJECTION		
		4 PLACES	±---	±---	DRAWN BY	DATE	TITLE M8 8-PORT MPIS PORT POWER MANIFOLD			
		3 PLACES	±---	±.005	GGUSTAFS	2015/01/23				
		2 PLACES	±.13	±.010	CHECKED BY	DATE	MOLEX INCORPORATED			
1 PLACE	±.25	±---	BARDEN	2015/02/27						
		ANGULAR ±.5°		APPROVED BY		DATE	DOCUMENT NO.		SHEET NO.	
DRAFT WHERE APPLICABLE MUST REMAIN WITHIN DIMENSIONS		SEE TABLE		BWOODMAN		2015/01/26	SD-130038-008		1 OF 1	
		SIZE B		THIS DRAWING CONTAINS INFORMATION THAT IS PROPRIETARY TO MOLEX INCORPORATED AND SHOULD NOT BE USED WITHOUT WRITTEN PERMISSION						

A