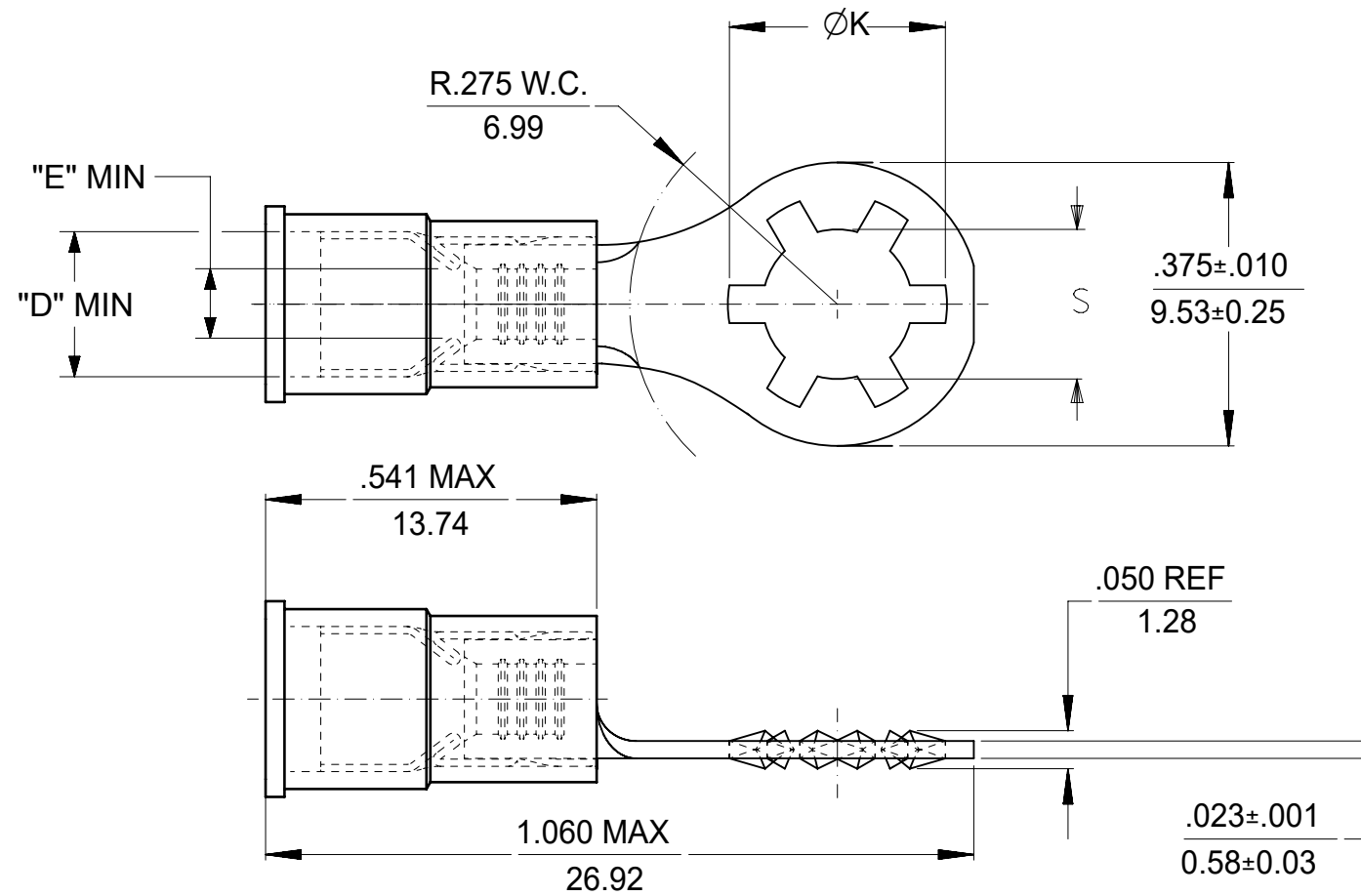


| MATERIAL NO. | ENG NO. | HOUSING COLOR WIRE AWG | TERMINAL MAT'L | S ±.007/.178 | K REF | "D" MIN | "E" MIN |
|--------------|--------------|-----------------------------|-------------------|-----------------|-----------|-------------|-------------|
| 190760001 | SRA-529-06 | RED | BRASS | .146/3.71 | .236/5.99 | .140 (3.56) | .054 (1.37) |
| 190760003 | SRA-529-08 | 22-18 AWG | | .173/4.40 | .263/6.68 | | |
| 190760005 | SRA-529-10 | (0.38-0.96MM ²) | | .198/5.03 | .288/7.32 | | |
| 190760013 | SRB-529-06 | BLUE | | .146/3.71 | .236/5.99 | .170 (4.32) | .084 (2.13) |
| 190760015 | SRB-529-08 | 16-14 AWG | | .173/4.40 | .263/6.68 | | |
| 190760017 | SRB-529-10 | (1.23-1.94MM ²) | | .198/5.03 | .288/7.32 | | |
| 190760007 | SRA-S-529-06 | RED | STEEL | .146/3.71 | .236/5.99 | .140 (3.56) | .054 (1.37) |
| 190760009 | SRA-S-529-08 | 22-18 AWG | | .173/4.40 | .263/6.68 | | |
| 190760011 | SRA-S-529-10 | (0.38-0.96MM ²) | | .198/5.03 | .288/7.32 | | |
| 190760019 | SRB-S-529-06 | BLUE | | .146/3.71 | .236/5.99 | .170 (4.32) | .084 (2.13) |
| 190760021 | SRB-S-529-08 | 16-14 AWG | | .173/4.40 | .263/6.68 | | |
| 190760023 | SRB-S-529-10 | (1.23-1.94MM ²) | | .198/5.03 | .288/7.32 | | |



- A1**
- NOTE(S):
- FINISH:
TERMINAL: TIN-PLATED (BRASS OR STEEL)
FERRULE: TIN-PLATED BRASS
 - MWID: MAXIMUM WIRE INSULATION DIAMETER.
 - ASSEMBLY IS RoHS COMPLIANT.

ORIGINAL DRAWING WAS SD-19076-001

| | | | | | | | | | | | |
|--------------------|---|---------------------------------------|---|--|--------------|------------------------|------------------------------|----------|-----------------|----------|--------------|
| FUNCTIONAL SYMBOLS | THIS DRAWING CONTAINS INFORMATION THAT IS PROPRIETARY TO MOLEX ELECTRONIC TECHNOLOGIES, LLC AND SHOULD NOT BE USED WITHOUT WRITTEN PERMISSION | | CURRENT REV DESC: WAS DWG: SD-19076-001. UPDATE DWG & RMV BOM. | | molex | | | | | | |
| | DIMENSION UNITS | SCALE | | | | | | | | | |
| | $\frac{E}{A} = 0$ | INCH/MM | 4:1 | EC NO: 672118 DRWN: DMYRICK 2021/07/30 CHK'D: JMACNEIL 2021/08/02 APPR: JMACNEIL 2021/08/02 | | | STAR RING TERMINAL, AVIKRIMP | | | | |
| | $\frac{E}{E} = 0$ | GENERAL TOLERANCES (UNLESS SPECIFIED) | | | | | | | | | |
| $\frac{E}{D} = 0$ | | | PRODUCT CUSTOMER DRAWING | | | | | | | | |
| DIVISIONAL SYMBOLS | MM | INCH | | | | | | | | | |
| | 4 PLACES ± | ± | DOCUMENT NUMBER | | | DOC TYPE | DOC PART | REVISION | | | |
| | 3 PLACES ± | ± | 190760001 | | | PSD | 000 | A1 | | | |
| | 2 PLACES ± | ± | INITIAL REVISION: | | | | | | | | |
| | 1 PLACE ± | ± | DRWN: | | | | | | | | |
| | 0 PLACES ± | ± | APPR: | | | | | | | | |
| | ANGULAR TOL ± ° | | DRAFT WHERE APPLICABLE MUST REMAIN WITHIN DIMENSIONS | | | THIRD ANGLE PROJECTION | DRAWING | SERIES | MATERIAL NUMBER | CUSTOMER | SHEET NUMBER |
| | | | | | | | B-SIZE | 19076 | SEE CHART | | 1 OF 1 |