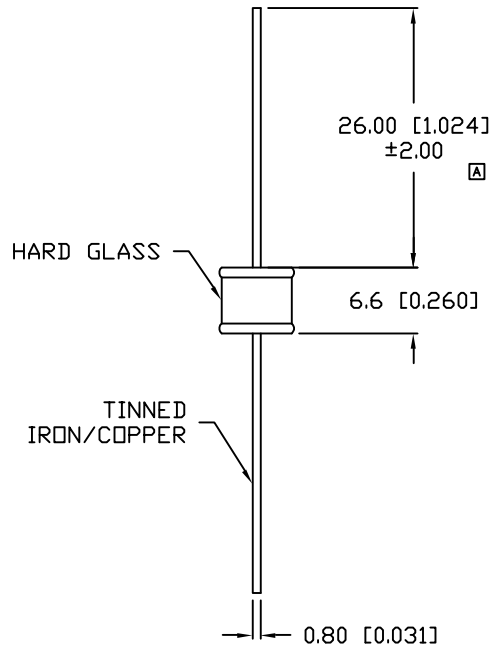
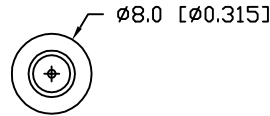


UNCONTROLLED DOCUMENT

SC:0.75	PART NUMBER	REV.
	GT-BG350L	A
REV.	E.C.N. NUMBER AND REVISION COMMENTS	DATE
A	E.C.N. #10685	12.04.00



ELECTRICAL SPECIFICATIONS		
CONDITION	UNITS	RATING
D.C. FIRING VOLTAGE:	(dv/dt 100V/S)	350V±15% D.C.
IMPULSE FIRING VOLTAGE:	(dv/dt 5KV/μS)	1100V D.C. MAX.
IMPULSE CURRENT:	(8/20μS)	10KA MAX.
D.C. HOLDOVER VOLTAGE:	(150ms MAX.)	150V D.C. MAX.
A.C. DISCHARGE CURRENT:	(1S X 10 TIMES)	5A
IMPUSLE CURRENT SURGE LIFE:	(10/1000μS 500A)	600 TIMES MIN.
A.C. FOLLOW-ON CURRENT:	(1/2 CYCLE, 60Hz)	25A
INSULATION RESISTANCE:	(50 OR 100VDC)	10 <sup>4</sup> MΩ MIN.
INTER-ELECTRODE CAPACITANCE:	(1.0 KHz)	2.0 PF MAX.

ENVIRONMENTAL SPECIFICATIONS PER MIL-STD 202			
TEST	METHODE	CONDITION	RATING
VIBRATION TESTING:	204B	C	10-55Hz, .06DA
SHOCK	213A	C	100 g
HUMIDITY:	103B	B	95% Re. HUMIDITY
TEMPERATURE CYCLING:	102A	C	-40 TO +80 °C
BAROMETRIC PRESSURE:	105C	B	50,000 ft.
THERMAL SHOCK:	107	B	-40 TO +80 °C
SOLDERABILITY:	208	B	

RESPONSE TIME	
SURGE TYPE	(Rt MAX.)
1Kv/mS	1 x 10 <sup>-3</sup> sec.
1Kv/μS	1 x 10 <sup>-6</sup> sec.
5Kv/μS	1 x 10 <sup>-6</sup> sec.

\*UNLESS OTHERWISE SPECIFIED TOLERANCES PER DECIMAL PRECISION ARE: X=±1 (±0.039), X.X=±0.5 (±0.020), X.XX=±0.25 (±0.010), X.XXX=±0.127 (±0.005). LEAD SIZE=±0.05 (±0.002), LEAD LENGTH=±0.75 (±0.030). MIN.= +DECIMAL PRECISION -0.00, MAX.= +0.00 -DECIMAL PRECISION

UNCONTROLLED DOCUMENT

REV.	PART NUMBER
A	GT-BG350L

**CONFIDENTIAL INFORMATION**  
 THE INFORMATION CONTAINED IN THIS DOCUMENT IS THE PROPERTY OF LUMEX INC. EXCEPT AS SPECIFICALLY AUTHORIZED IN WRITING BY LUMEX INC., THE HOLDER OF THIS DOCUMENT SHALL KEEP ALL INFORMATION CONTAINED HEREIN CONFIDENTIAL AND SHALL PROTECT SAME IN WHOLE OR IN PART FROM DISCLOSURE AND DISSEMINATION TO ALL THIRD PARTIES.



290 E. HELLEN ROAD  
 PALATINE, ILLINOIS 60067  
 PHONE: (847) 359-2790  
 WEB: <http://www.lumex.com>

AXIAL LEADED SURGE ARRESTOR, 350 VDC

**RELIABILITY NOTE**  
 OUR MANY YEARS OF EXPERIENCE DATA ACCUMULATION INDICATE THAT SOLDER HEAT IS A MAJOR CAUSE OF EARLY AND FUTURE FAILURE. PLEASE PAY ATTENTION TO YOUR SOLDERING PROCESS.

DRAWN BY:	CHECKED BY:	APPROVED BY:	DATE: 01.20.00
TM/BC			PAGE: 1 OF 1
			SCALE: N/A