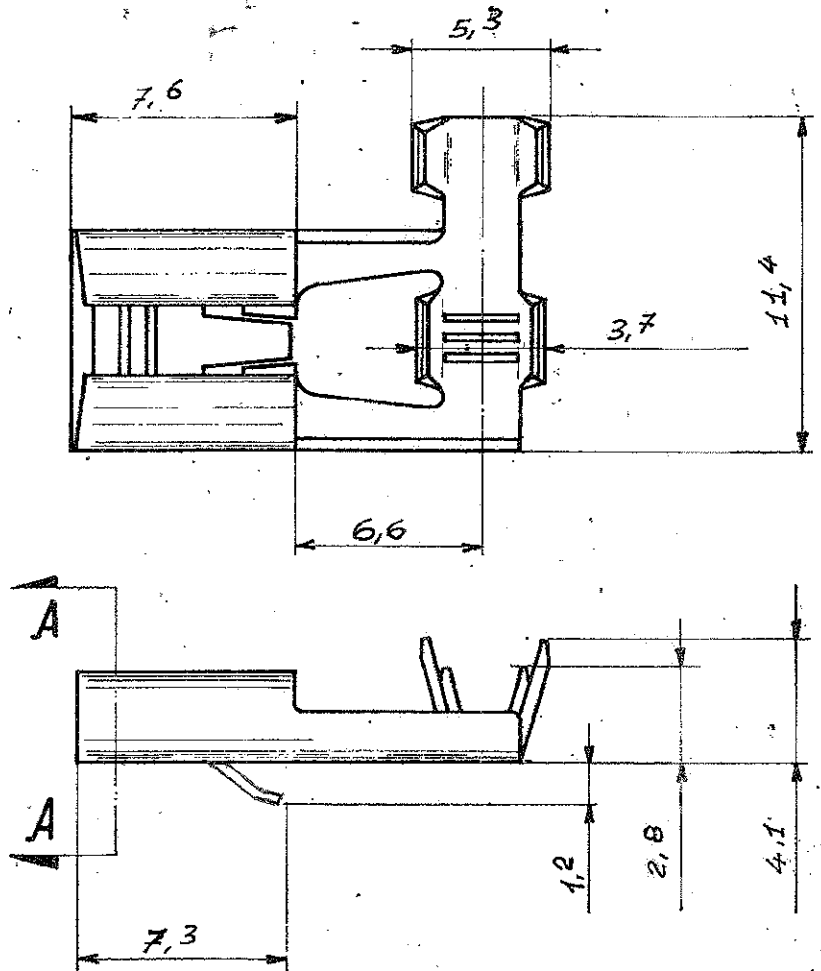
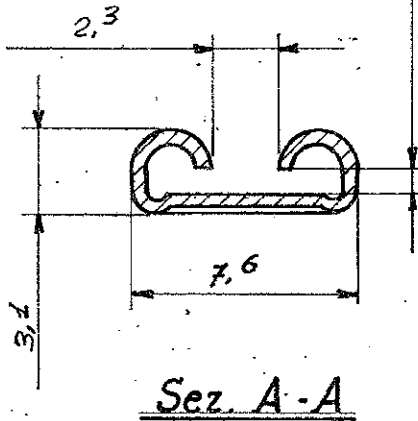



C-280357	ADATTO PER APPLIC. STANDARD (FOR STANDARD APPLICATOR)		ADATTO PER MINI APPLICATOR (FOR MINI APPLICATOR)		
	N° PART. (PART/NUMBER)	MATERIALE/FINITURA (MATERIAL/FINISH)	N° PART. (PART/NUMBER)	MATERIALE/FINITURA (MATERIAL/FINISH)	
	280357-1	BRONZO FOSFOROSO (PHOSPH. BRASS)	280428-1	BRONZO FOSFOROSO (PHOSPH. BRASS)	OBSOLETE
	280357-2	BRONZO FOSF. STAGNATO (TIN PL. PH. BR.)	280428-2	BRONZO FOSF. STAGNATO (TIN PL. PH. BR.)	
	280357-3	OTTONE (BRASS)	280428-3	OTTONE (BRASS)	OBSOLETE
	280357-4	OTTONE STAGNATO (FIN PL. BRASS)	280428-4	OTTONE STAGNATO (TIN PL. BRASS)	
		2-280428-4	OTTONE STAGNATO (TIN PL. BRASS)	OBSOLETE	

OBSOLETE

Adatto per linguetta di sp. 0.8
(TO FIT 0.8 mm TAB THK)



DIMENSIONS IN MM. DO NOT SCALE PRINT

© 1973 BY AMP INCORPORATED. ALL RIGHTS RESERVED. AMP PRODUCTS COVERED BY PATENTS AND/OR PATENTS PENDING.		CUSTOMER COPY REFERENCE ONLY	
MATERIAL AND FINISH VEDERE TABELLA (SEE TABLE)		 TE Connectivity CLASS .250 SERIES TYPE F. F.	
WIRE RANGE 0.5-1.5 mm ²	INSULATION 3.3 Ø MAX	LOC I	NO A
TOLERANCE EXCEPT AS NOTED 3, 0, 4	SCALE 4:1	REV N2	
NAME		C-280357	
.250 SERIES FLAG FASTEN-ON REC.			

N2	REVISED PER ECR-17-013054	BDA	TD	22NOV2017
LTR	REVISION RECORD	DR	CHK	DATE
DR	9-1-73	CHK	18/12/74	
CHK	18/12/74	APP		