

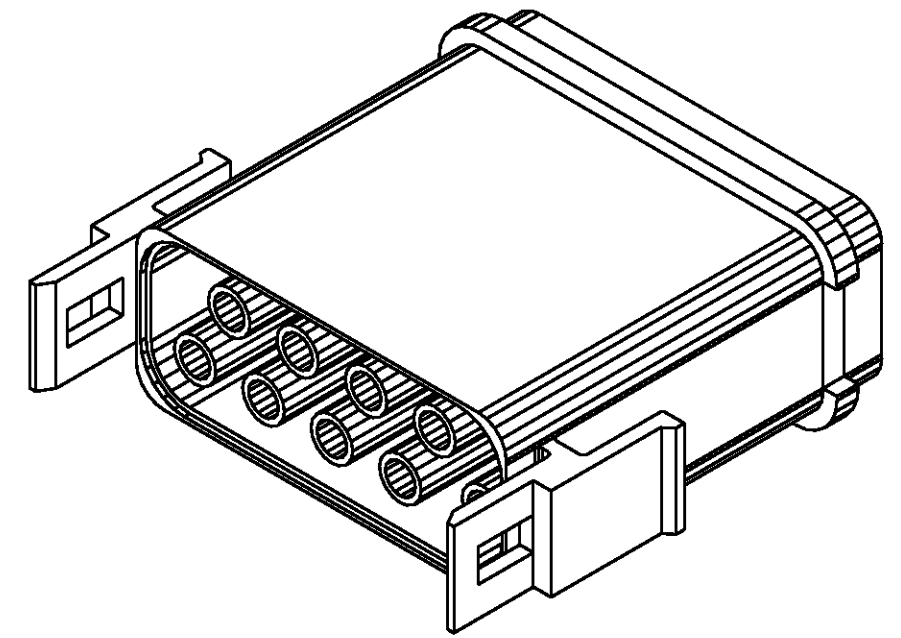
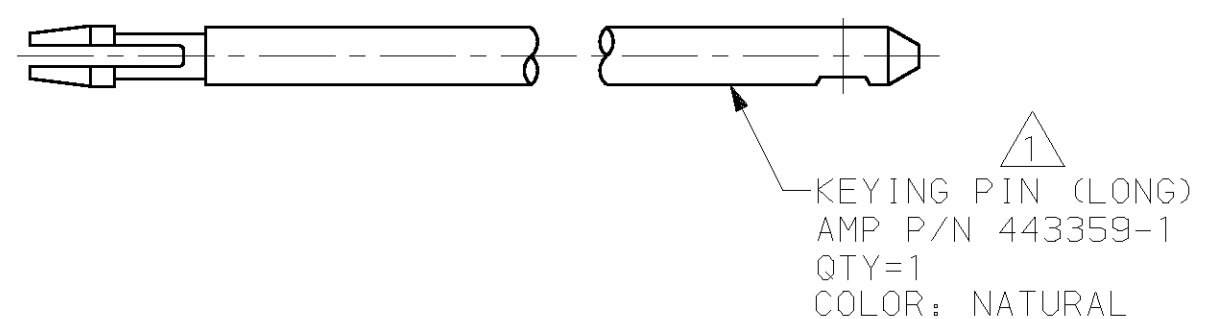
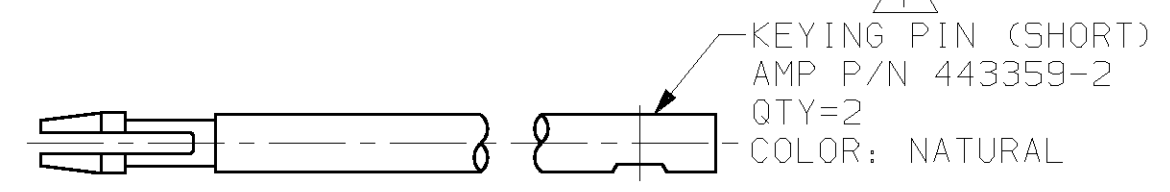
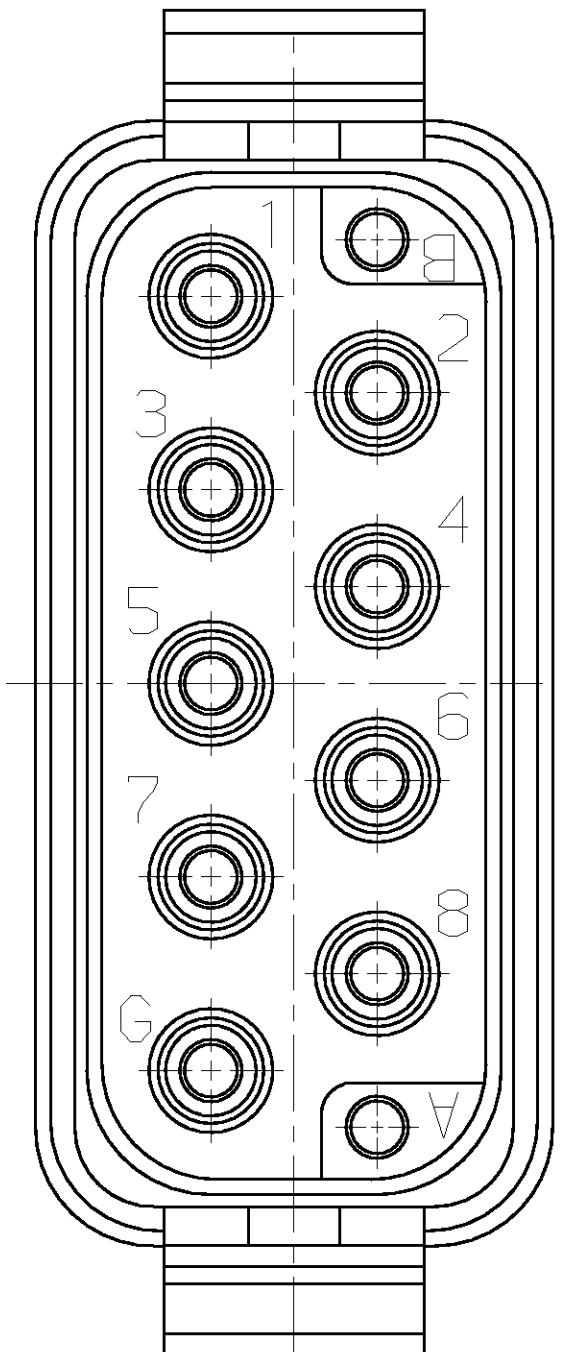
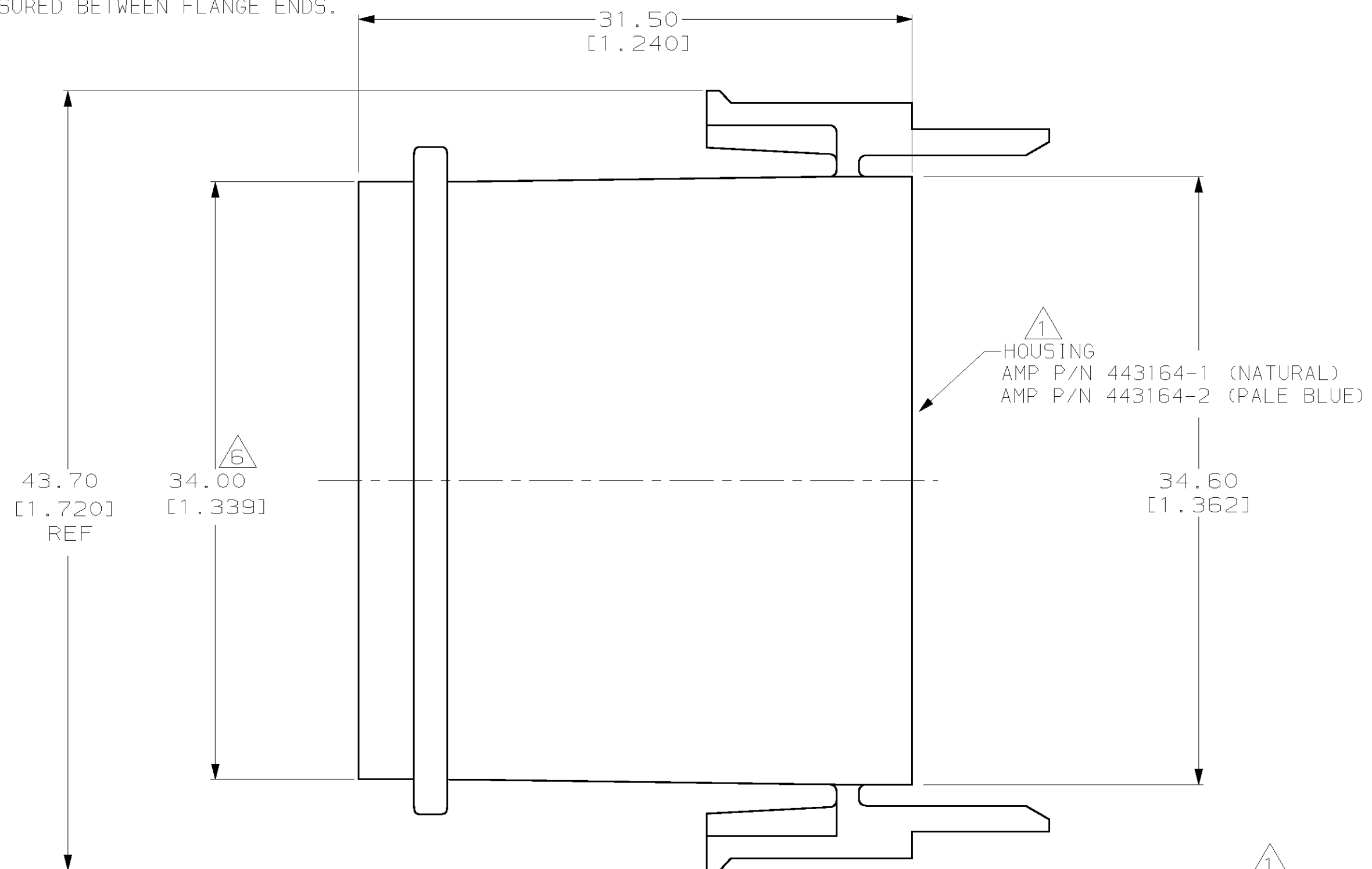
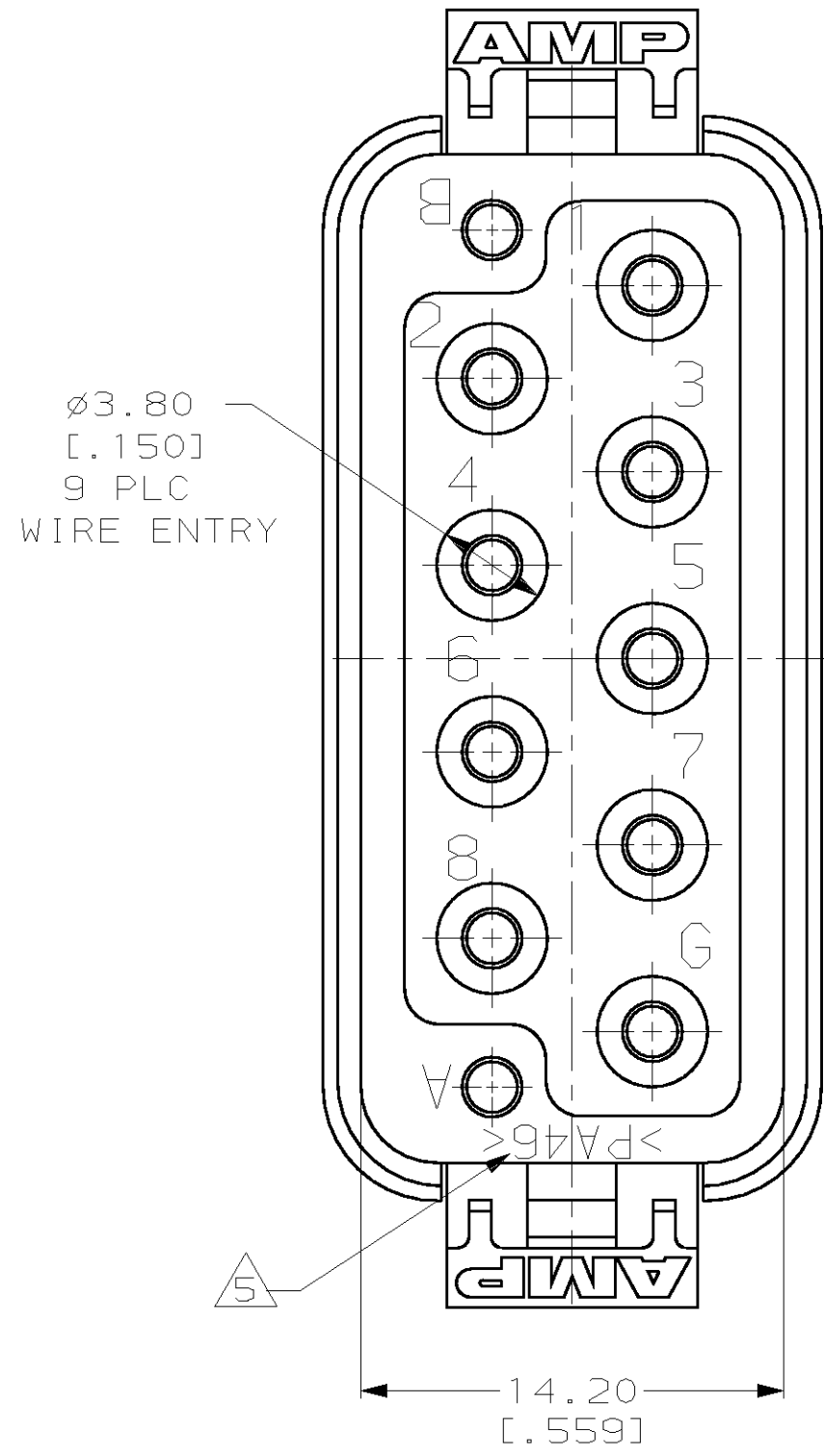
THIS DRAWING IS UNPUBLISHED. RELEASED FOR PUBLICATION .19
 (C) COPYRIGHT 19 BY AMP INCORPORATED. ALL RIGHTS RESERVED.

PROD 4085
 LOC DF
 DIST 50

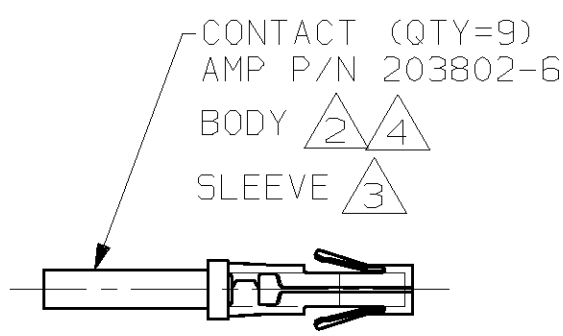
REVISIONS					
P	LTR	DESCRIPTION	DATE	DWN	APVD
C		REVISED PER 0600-5893-96	4-97	CCT	CS
D		REV PER 0600-8018-98	3-99	JB	ML

RECOMMENDED KEYING		
OPTION	A	B
#1	EMPTY	LONG
#2	LONG	EMPTY
#3	SHORT	SHORT

- 1 MAT'L: 4/6 NYLON UL 94V-2 MLDG. CMPD. COLOR: SEE TABLE.
- 2 MAT'L: BRASS PER ASTM-B-16
- 3 MAT'L: STAINLESS STEEL PER QQ-S-766
- 4 FINISH: TIN PLATED PER MIL-T-10727
- 5 DFE DETAIL SYMBOL (>PA46<) IS FOR RECYCLING IDENTIFICATION ONLY, NOT A PART NUMBER.
- 6 MEASURED BETWEEN FLANGE ENDS.



ISOMETRIC VIEW
 SCALE: NTS



NATURAL	443161-2
PALE BLUE	443161-1
HOUSING COLOR	PART NUMBER

DIMENSIONS: mm [INCHES]		TOLERANCES UNLESS OTHERWISE SPECIFIED:	
0 PLC	±-	0 PLC	±-
1 PLC	±-	1 PLC	±-
2 PLC	±0.20 [1.00]	2 PLC	±-
3 PLC	±-	3 PLC	±-
4 PLC	±-	4 PLC	±-
ANGLES	±-	ANGLES	±-
FINISH	SEE TABLE	FINISH	SEE TABLE
MATERIAL	SEE TABLE	MATERIAL	SEE TABLE

DWN	C.C. THOMAS	7-27-95	AMP Incorporated Harrisburg, PA 17105-3608
CHK	C. SHELLY	7-27-95	
APVD	C. SHELLY	7-27-95	
NAME			KIT, PLUG, 9 POSN., LGH
SIZE	A2	CAGE CODE	00779
DRAWING NO.	C-443161		SCALE
SCALE	4:1	SHEET	1 OF 1
REV	D		