

AXL F BK PN TPS XC - Bus coupler



1068857

<https://www.phoenixcontact.com/us/products/1068857>

Please be informed that the data shown in this PDF document is generated from our online catalog. Please find the complete data in the user documentation. Our general terms of use for downloads are valid.



Axioline F, Bus coupler, PROFINET, RJ45 jack, Extreme conditions version, transmission speed in the local bus: 100 Mbps, degree of protection: IP20, including bus base module and Axioline F connector

Product description

The bus coupler is intended for use within a PROFINET network. The bus coupler creates the link to the Axioline F I/O system and the industrial I/O signals connected to it. Up to 63 Axioline F devices can be connected to the bus coupler. Device descriptions for Phoenix Contact controllers are integral parts of the engineering tools PC Worx and PLCnext Engineer. Corresponding GSDML files are available for integrating the Axioline F station into other programming systems. These files can be downloaded at: www.phoenixcontact.com/product/1068857

Your advantages

- 2 Ethernet ports (with integrated switch)
- Conformance with PROFINET specification V2.3
- Supports PROFI-safe
- Supports PROFI-energy
- Supports PROFINET S2 system redundancy (firmware version 1.30 or later)
- PROFINET RT and IRT
- Minimum cycle time of PROFINET for RT and IRT is 250 μ s
- Firmware can be updated
- Runtime in bus coupler is negligible (almost 0 μ s)
- Typical cycle time of the Axioline F local bus is around 10 μ s
- Web-based management
- Supports the operation of Axioline Smart Elements
- Supports passive Smart Elements (firmware version 1.30 or later)
- Supports IOL-CONF (firmware version 1.30 and later)
- Supports Diag+
- Safe analog value processing with SAFE AI and other components
- Can be used under extreme ambient conditions
- Extended temperature range of -40 °C ... +70 °C (see "Tested successfully: use under extreme ambient conditions" in the data sheet)
- Partially coated PCBs

Commercial data

Item number	1068857
Packing unit	1 pc
Minimum order quantity	1 pc
Sales key	DR02

AXL F BK PN TPS XC - Bus coupler



1068857

<https://www.phoenixcontact.com/us/products/1068857>

Product key	DRI21A
GTIN	4055626743653
Weight per piece (including packing)	233.3 g
Weight per piece (excluding packing)	222.6 g
Customs tariff number	85176200
Country of origin	DE

AXL F BK PN TPS XC - Bus coupler

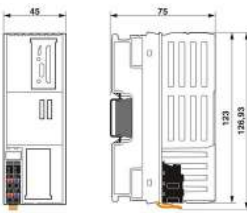


1068857

<https://www.phoenixcontact.com/us/products/1068857>

Technical data

Dimensions

Dimensional drawing	
Width	45 mm
Height	126.93 mm
Depth	75 mm
Note on dimensions	The depth applies when a TH 35-7.5 DIN rail is used (in accordance with EN 60715).

Interfaces

PROFINET

Number of interfaces	2
Connection method	RJ45 jack
Note on the connection method	Auto negotiation and autocrossing
Transmission speed	100 Mbps (full duplex)
Transmission physics	Ethernet in RJ45 twisted pair

Axioline F local bus

Number of interfaces	1
Connection method	Bus base module
Transmission speed	100 Mbps

Service

Number of interfaces	1
Connection method	USB type C

System properties

System limits

Number of supported devices	max. 63 (per station)
Number of local bus devices that can be connected	max. 63

PROFINET

Device function	PROFINET device
Specification	Version 2.3
Conformance Class	Conformance-Class C

Product properties

AXL F BK PN TPS XC - Bus coupler



1068857

<https://www.phoenixcontact.com/us/products/1068857>

Type	block modular
Product type	I/O component
Product family	Axioline F
Mounting position	any
Scope of delivery	including bus base module and Axioline F connector

Insulation characteristics

Overvoltage category	II (IEC 60664-1, EN 60664-1)
Pollution degree	2 (IEC 60664-1, EN 60664-1)

Electrical properties

Potentials: Communications power U_L feed-in (the supply of the Axioline F local bus U_{BUS} is generated from U_L)

Supply voltage	24 V DC
Supply voltage range	19.2 V DC ... 30 V DC (including all tolerances, including ripple)
Current draw	max. 690 mA (2.0 A on U_{BUS} , $U_L = 24$ V)
Power consumption	max. 13.5 W (2.0 A on U_{BUS} , $U_L = 24$ V)
Protective circuit	Surge protection; electronic Reverse polarity protection; electronic

Potentials: Axioline F local bus supply (U_{BUS})

Supply voltage	5 V DC (via bus base module)
Power supply unit	max. 2 A

Connection data

Connection technology

Connection name	Axioline F connector
Note on the connection method	Please observe the information provided on conductor cross sections in the "Axioline F: system and installation" user manual.

Conductor connection

Connection method	Push-in connection
Conductor cross section rigid	0.2 mm ² ... 1.5 mm ²
Conductor cross section flexible	0.2 mm ² ... 1.5 mm ²
Conductor cross section AWG	24 ... 16
Stripping length	8 mm

Axioline F connector

Connection method	Push-in connection
Note on the connection method	Please observe the information provided on conductor cross sections in the "Axioline F: system and installation" user manual.
Conductor cross section, rigid	0.2 mm ² ... 1.5 mm ²
Conductor cross section, flexible	0.2 mm ² ... 1.5 mm ²
Conductor cross section AWG	24 ... 16
Stripping length	8 mm

Environmental and real-life conditions

AXL F BK PN TPS XC - Bus coupler

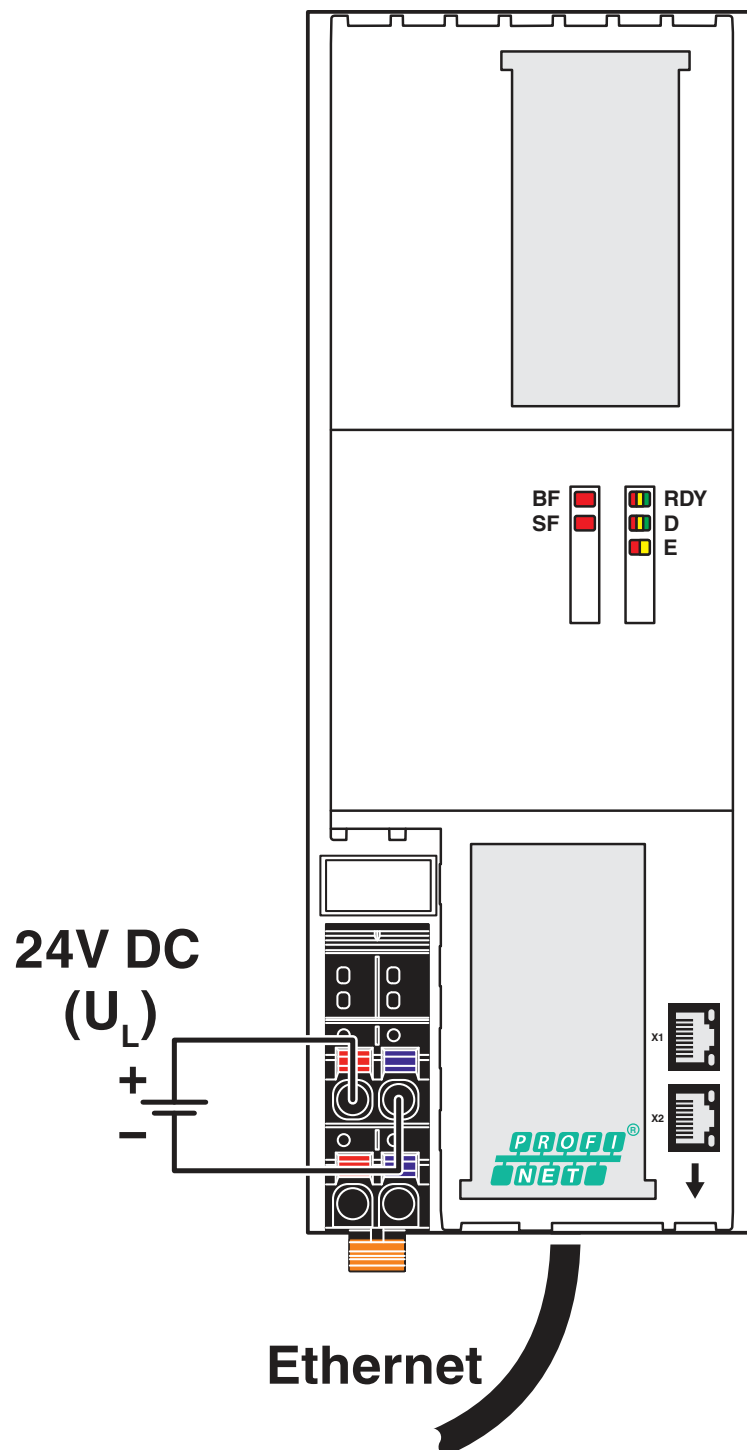
1068857

<https://www.phoenixcontact.com/us/products/1068857>



Drawings

Connection diagram



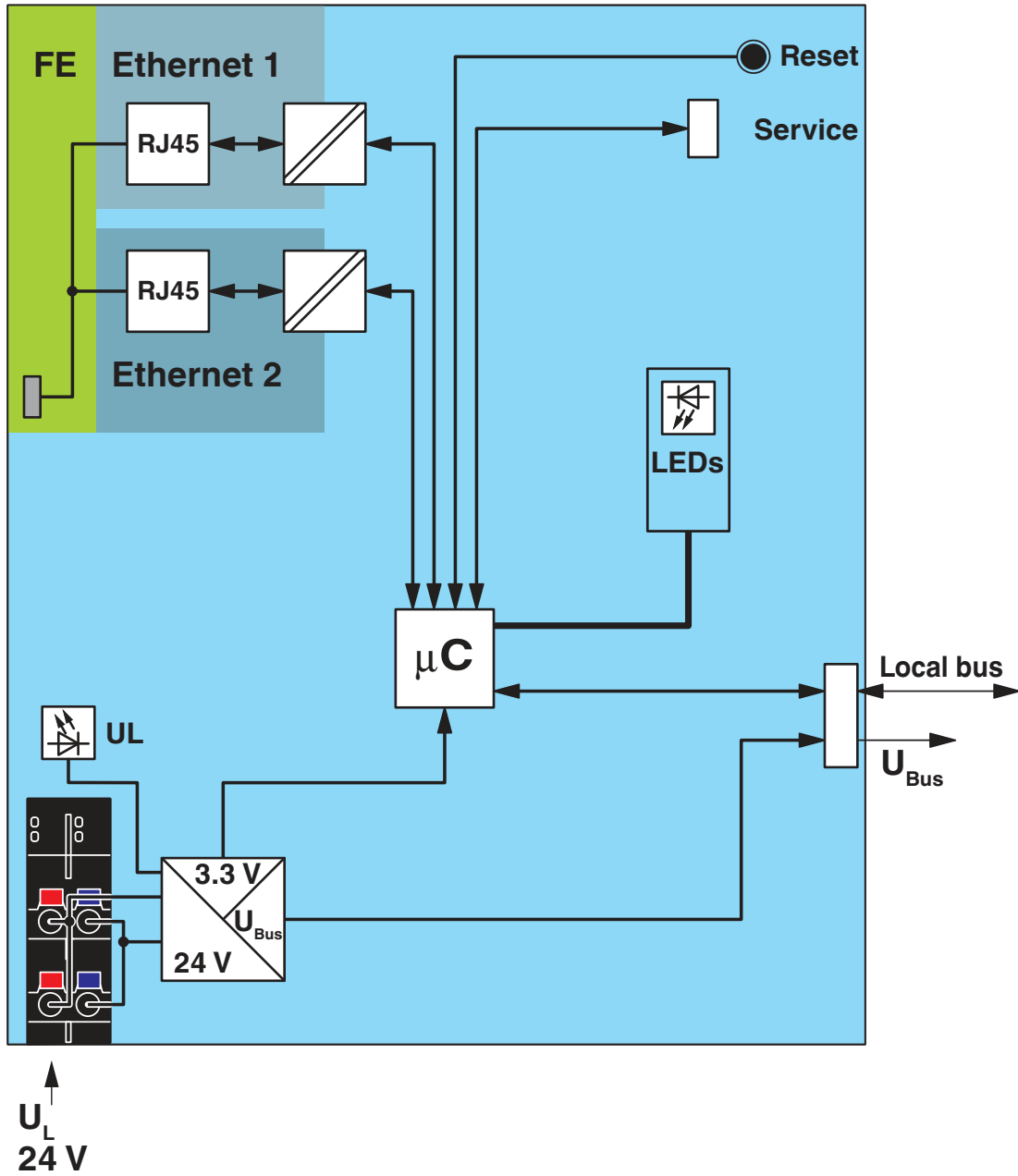
Connection of the cables

AXL F BK PN TPS XC - Bus coupler

1068857

<https://www.phoenixcontact.com/us/products/1068857>

Block diagram



Internal wiring of the terminal points

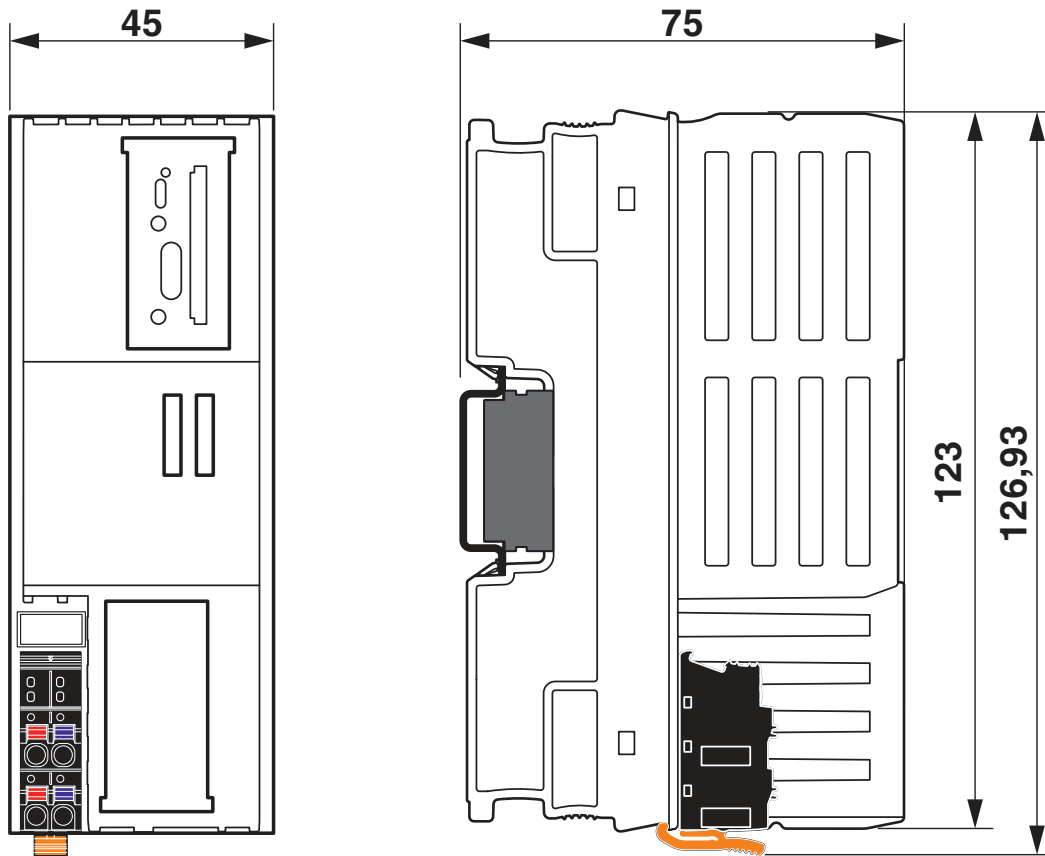
AXL F BK PN TPS XC - Bus coupler



1068857

<https://www.phoenixcontact.com/us/products/1068857>

Dimensional drawing



AXL F BK PN TPS XC - Bus coupler



1068857

<https://www.phoenixcontact.com/us/products/1068857>

Approvals

To download certificates, visit the product detail page: <https://www.phoenixcontact.com/us/products/1068857>



UL Listed

Approval ID: FILE E 238705



cUL Listed

Approval ID: FILE E 238705

PROFINET

Approval ID: Z12931

UAE-RoHS

Approval ID: 23-02-63241



IECEx

Approval ID: IECEx ULD 20.0026X



ATEX

Approval ID: UL 20 ATEX 2441X



cULus Listed

Approval ID: FILE E 366272



CCC

Approval ID: 2021122309114456_CN

cULus Listed

AXL F BK PN TPS XC - Bus coupler



1068857

<https://www.phoenixcontact.com/us/products/1068857>

Classifications

ECLASS

ECLASS-11.0	27242608
ECLASS-12.0	27242608
ECLASS-13.0	27242608

ETIM

ETIM 8.0	EC001604
----------	----------

UNSPSC

UNSPSC 21.0	32151600
-------------	----------

AXL F BK PN TPS XC - Bus coupler

1068857

<https://www.phoenixcontact.com/us/products/1068857>



Environmental product compliance

REACH SVHC

Lead 7439-92-1

AXL F BK PN TPS XC - Bus coupler

1068857

<https://www.phoenixcontact.com/us/products/1068857>



Accessories

AXL F BS BK - Bus connector

2701422

<https://www.phoenixcontact.com/us/products/2701422>

Axioline F bus base module for housing type BK



FL PLUG RJ45 GR/2 - RJ45 connector

2744856

<https://www.phoenixcontact.com/us/products/2744856>

RJ45 connector, design: RJ45, degree of protection: IP20, number of positions: 8, 1 Gbps, CAT5 (IEC 11801:2002), material: Plastic, connection method: Crimp connection, connection cross section: AWG 26- 24, cable outlet: straight, color: green, Ethernet



AXL F BK PN TPS XC - Bus coupler

1068857

<https://www.phoenixcontact.com/us/products/1068857>



FL PLUG RJ45 GN/2 - RJ45 connector

2744571

<https://www.phoenixcontact.com/us/products/2744571>



RJ45 connector, design: RJ45, degree of protection: IP20, number of positions: 8, 1 Gbps, CAT5 (IEC 11801:2002), material: Plastic, connection method: Crimp connection, connection cross section: AWG 26- 24, cable outlet: straight, color: green, Ethernet

FL CAT5 HEAVY - Data cable

2744814

<https://www.phoenixcontact.com/us/products/2744814>



CAT5-SF/UTP cable (J-02YS(ST)C HP 2 x 2 x 24 AWG), heavy-duty installation cable, 2 x 2 x 0.22 mm², solid conductor, shielded, outer sheath: 7.8 mm diameter, inner sheath: 5.75 mm ± 0.15 mm diameter

AXL F BK PN TPS XC - Bus coupler

1068857

<https://www.phoenixcontact.com/us/products/1068857>



FL CAT5 FLEX - Installation cable

2744830

<https://www.phoenixcontact.com/us/products/2744830>



By the meter, Installation cable, Ethernet CAT5 (100 Mbps), shielded, PUR halogen-free, water blue RAL 5021, 4-wire (2x2xAWG26/7, SF/UTP), color single wire: white/orange-orange, white/green-green, cable length: Free entry (1.0 ... 1000.0 m)

FL CRIMPTOOL - Assembly tool

2744869

<https://www.phoenixcontact.com/us/products/2744869>



Crimping pliers, for assembling the RJ45 plugs FL PLUG RJ45..., for assembly on site

AXL F BK PN TPS XC - Bus coupler

1068857

<https://www.phoenixcontact.com/us/products/1068857>



ZB 20,3 AXL UNPRINTED - Zack marker strip

0829579

<https://www.phoenixcontact.com/us/products/0829579>



Zack marker strip for Axioline F (device labeling), in 2 x 20.3 mm pitch, unprinted, 25-section, for individual labeling with B-STIFT 0.8, X-PEN, or CMS-P1-PLOTTER

ZBF 10/5,8 AXL UNPRINTED - Zack Marker strip, flat

0829580

<https://www.phoenixcontact.com/us/products/0829580>



Zack Marker strip, flat, Strip, white, unlabeled, can be labeled with: PLOTMARK, CMS-P1-PLOTTER, mounting type: snapped, for terminal block width: 10.15 mm, lettering field size: 4 x 10, 15 x 5 mm, 1 x 5.8 x 5 mm, Number of individual labels: 50

AXL F BK PN TPS XC - Bus coupler



1068857

<https://www.phoenixcontact.com/us/products/1068857>

EMT (35X18,7)R - Insert label

0801831

<https://www.phoenixcontact.com/us/products/0801831>



Insert label, for marking Phoenix Contact Axioline modules, Roll, white, unlabeled, can be labeled with: THERMOMARK E.300 (D)/600 (D), THERMOMARK ROLL 2.0, THERMOMARK ROLL, THERMOMARK ROLL X1, THERMOMARK ROLLMASTER 300/600, THERMOMARK X1.2, mounting type: insert, lettering field size: 35 x 18.7 mm, Number of individual labels: 500

SAFE AI - Function block

2400057

<https://www.phoenixcontact.com/us/products/2400057>



Function block library for safety-related analog value acquisition with standard I/O modules. **Please contact the safety hotline (+49 5281 9-462777) before ordering the SAFE AI article.**

AXL F BK PN TPS XC - Bus coupler

1068857

<https://www.phoenixcontact.com/us/products/1068857>



CAB-USB A/ USB C/1,8M - Connecting cable

2404677

<https://www.phoenixcontact.com/us/products/2404677>

Connecting cable, for connecting the controller to a PC from USB A to USB C



CAB-USB C/ USB C/1,8M - Connecting cable

1021809

<https://www.phoenixcontact.com/us/products/1021809>

Connecting cable, for connecting the controller to a PC from USB C to USB C



Phoenix Contact 2023 © - all rights reserved
<https://www.phoenixcontact.com>

Phoenix Contact USA
586 Fulling Mill Road
Middletown, PA 17057, United States
(+717) 944-1300
info@phoenixcon.com