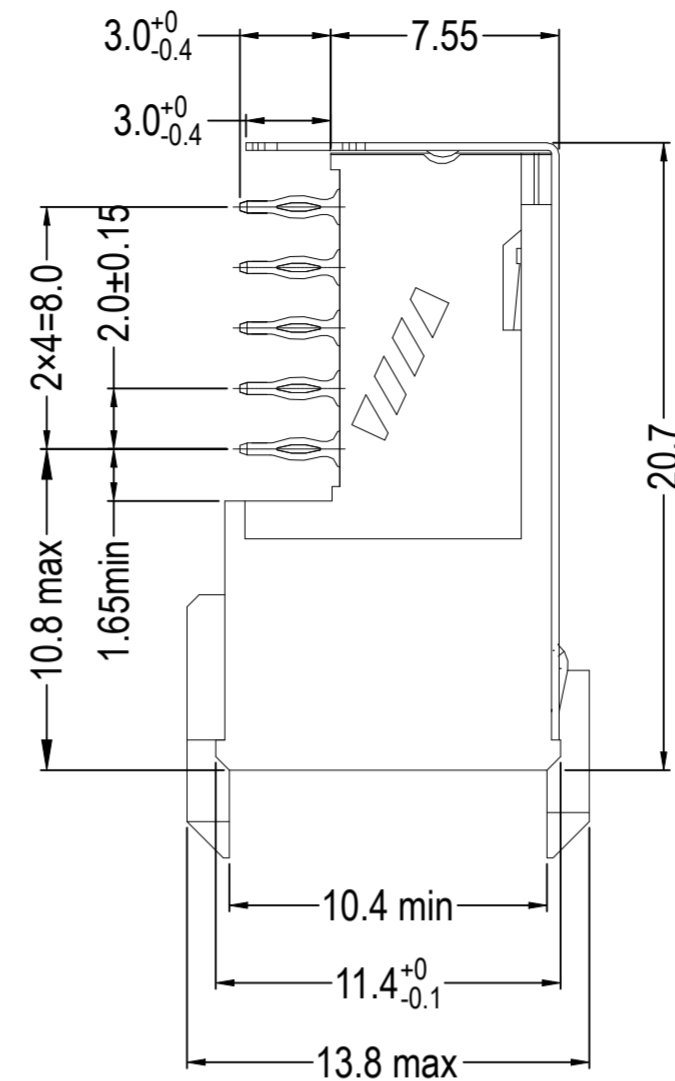
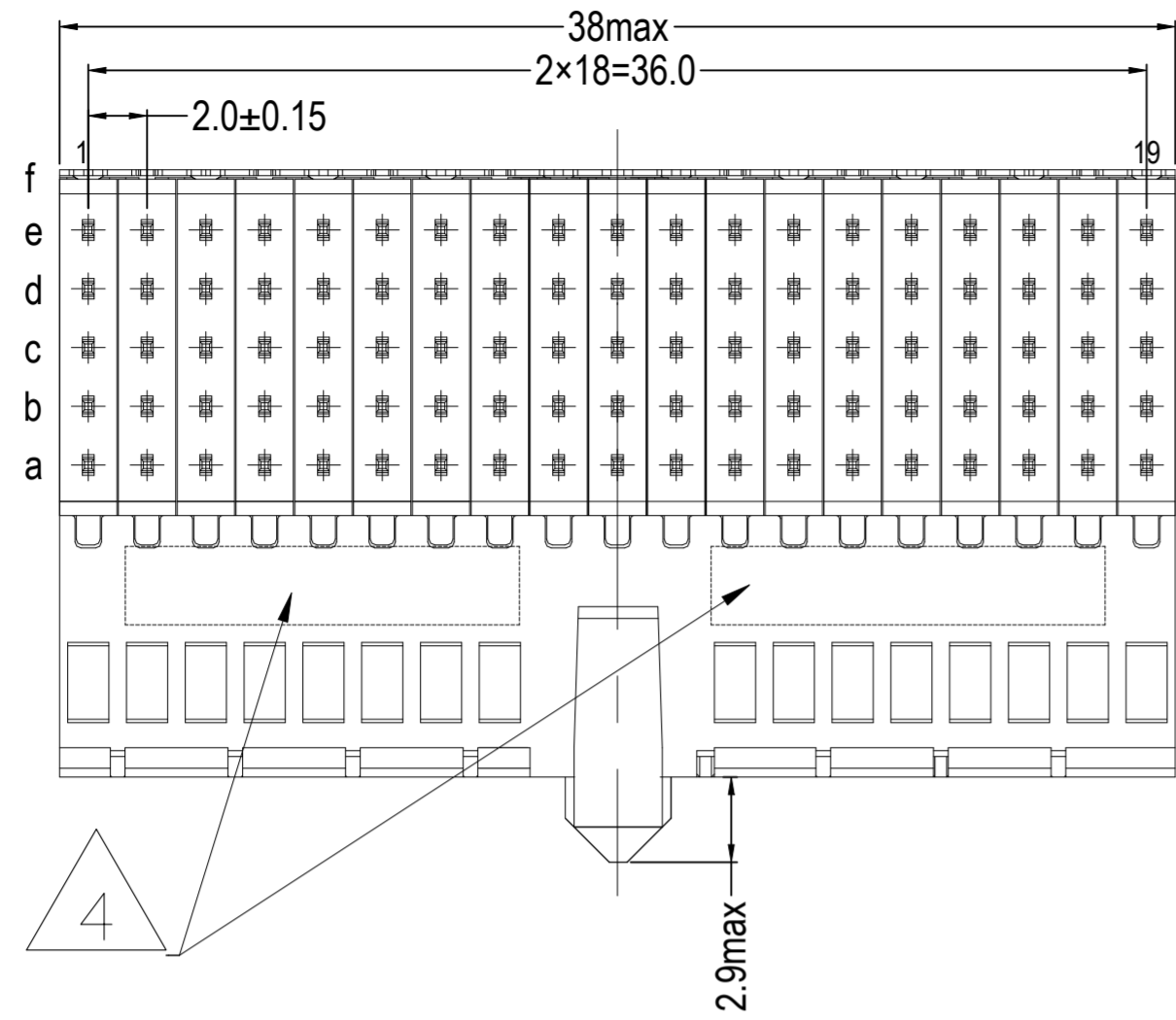
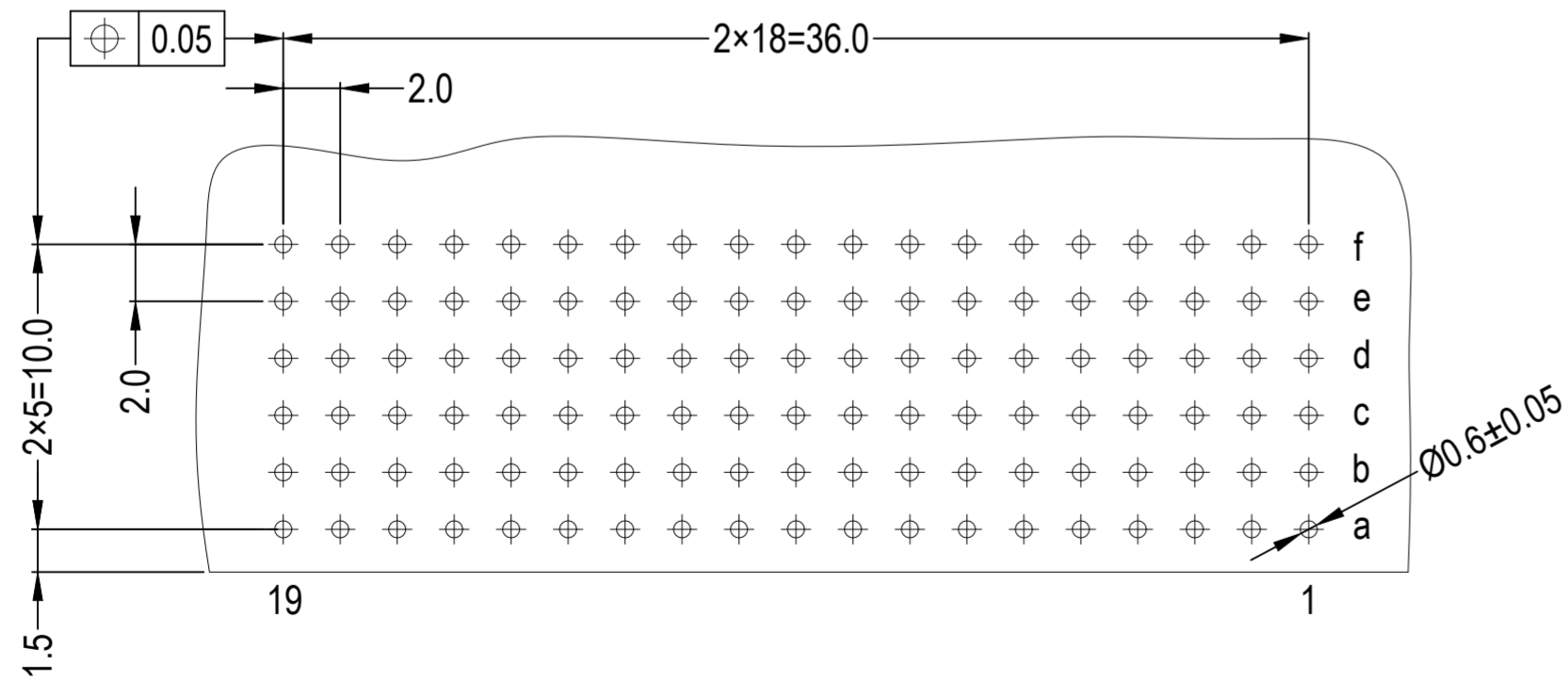
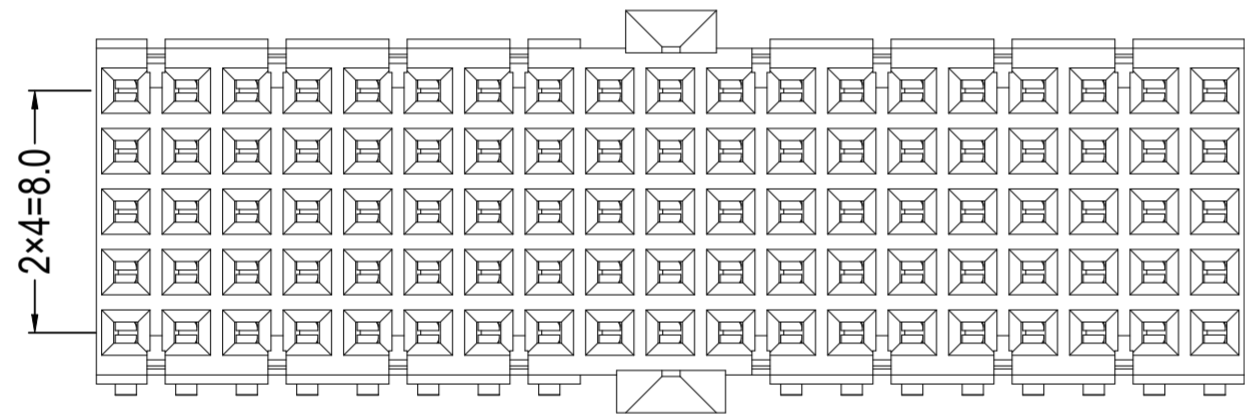


REVISIONS				
P	LTR	DESCRIPTION	DATE	APVD
A		INITIAL DRAWING	18OCT2021	TL HL



NOTES:

- ⚠ MATERIAL CONTACTS; COPPER ALLOY
MATERIAL HOUSING; GLASSFILLED POLYESTER
- ⚠ GENERAL PLATING SPECIFICATION: UNDERPLATING (ENTIRE CONTACT):
1,27µm NICKEL MIN. AND EON PIN: 0,5µm TIN MIN.
FOR PLATING OF MATING SURFACES SEE APPLICABLE SPECIFICATION
REFERENCE FOR EACH DASH NUMBER.
- ⚠ CONFORMS TO ALL TESTING ACCORDING IEC 61076-4-101
PERFORMANCE LEVEL 2.
- ⚠ ASSEMBLY PRINTED WITH P/N AND DATECODE



RECOMMEND PCB TOLERANCE : ±0.05

2 3	FINISH	MATERIAL	PART NUMBER
			2392921-1

THIS DRAWING IS A CONTROLLED DOCUMENT.		DWN TONY LI 28MAY2021	TE Connectivity Ltd.	
DIMENSIONS: mm		CHK ALEX XU 28MAY2021		
TOLERANCES UNLESS OTHERWISE SPECIFIED: ±0.2		APVD HOPE LU 28MAY2021		
		PRODUCT SPEC 108-19082	Z-PACK 2mm HM WITH UPPER SHIELD TYPE A/B - 19 COLUMNS RECEPTACLE ,EON	
MATERIAL		APPLICATION SPEC 114-160149	SIZE A2	CAGE CODE 00779
FINISH		WEIGHT 0	DRAWING NO C=2392921	RESTRICTED TO -
CUSTOMER DRAWING			SCALE 5:1	SHEET 1 of 1
			REV A	