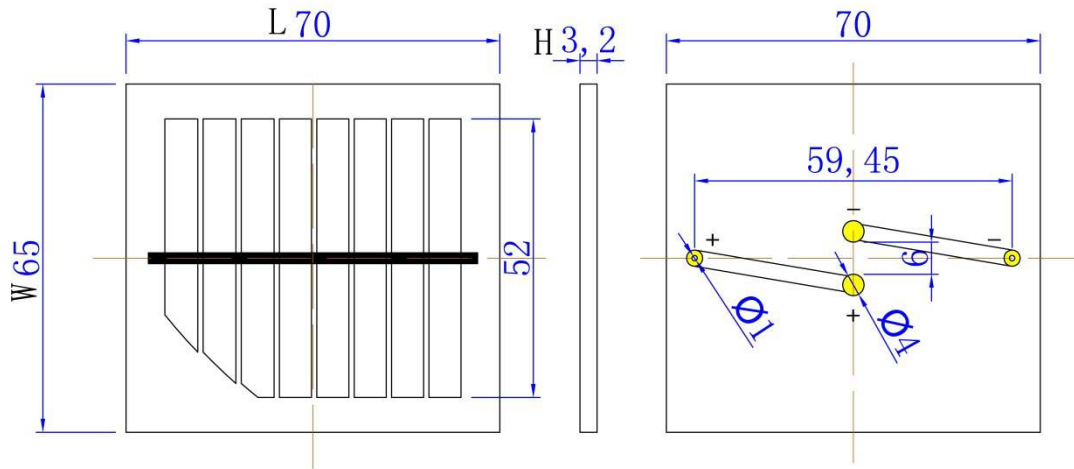


P/N: SW0.4M

1. Outline View:

Outline Dimensions	
L	70±0.5mm
W	65±0.5mm
H	3.2±0.3mm



功率: 0.4W4V 玻纤板层压

2. Technical characteristics

(STC Standard Testing Condition: 1000W/M² AM1.5, 25°C.)

Description of Goods	Technical Spec.
Open Circuit Voltage(Voc)	4.6V ± 8%
Short Circuit Current (Isc)	105mA ± 8%
Maximum Power Voltage(Vmp)	4.0V ± 8%
Maximum Power Current(Imp)	100.0mA ± 8%
Maximum Power(Ppm)	0.4W ± 8%

3. Mechanical Characteristics

- ① Monocrystalline Silicon solar cells
- ② Encapsulated: PET lamination

4. Quality Assurance

- ① 5-year limited, work temperature: -10°C-50°C

5. Notes

- ① This product couldn't be contacted directly with strong corrosive substances.
- ② To be avoid to scratch the surface.
- ③ This product couldn't be born bending force during transportation & assembling.