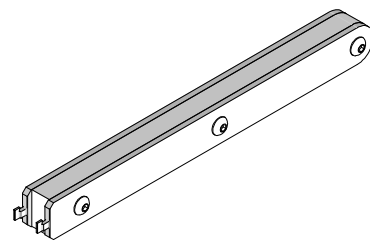




Extractor Tool

Application Tooling Specification Sheet



Order No. 63824-3100

FEATURES

- This tool is designed to unlock the 171227-0002 TPA from the 31568 Series Housings.

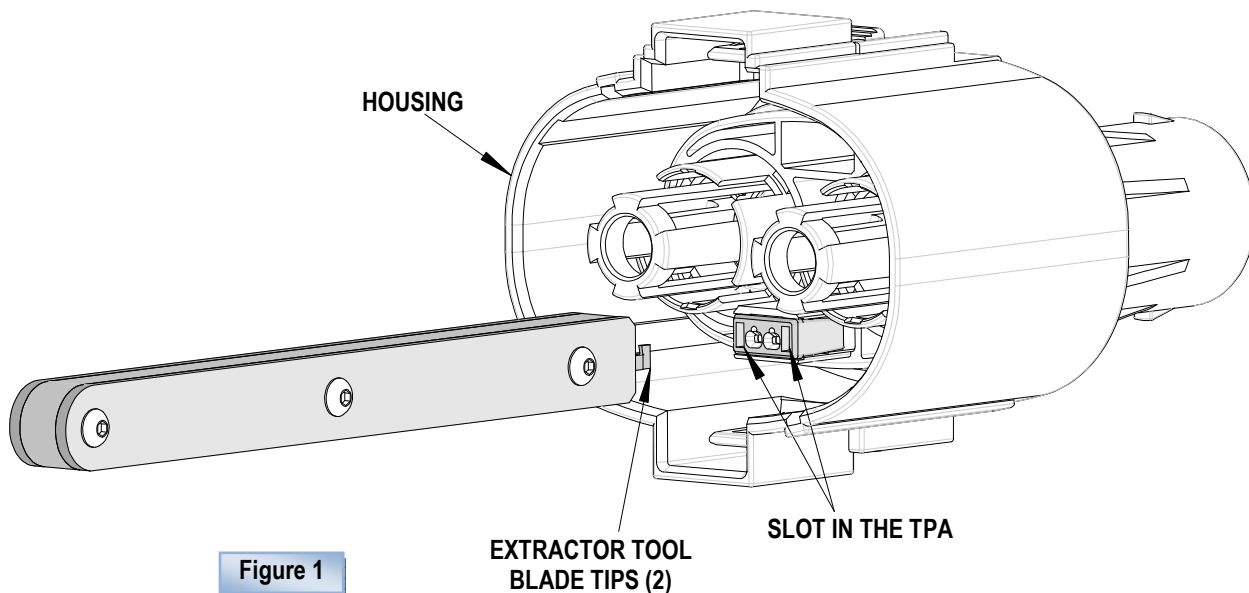
SCOPE

Products: TPA, HVIL EPIC 200 171227-0002 for Imperium 31568 Series Housings.

TPA Order No.	Series No.	Housing Order No.					
171227-0002	Housing 31568	31568-2000	31568-2001	31568-2002	31568-2003	31568-2004	31568-2005
		31568-2006					
	Main Assembly 171466	171466-1000	171466-1001	171466-1002	171466-1003	171466-1004	171466-1005
		171466-1006					

OPERATION

- Line up the Extractor Tool to the 2 slots on the Secondary Locking Key (TPA) insert the tool blade tips with hooks facing up into the TPA until the tool handle comes to a stop resting on the housing. See Figure 1.



2. Pull the tool handle until the 2 hooks on the blade tips hook onto the TPA. This will help catch the TPA slot edges and prevent the extractor tool slipping out of the TPA. See Figure 2.
3. Pull up on the extractor tool until the hooks of the blade tips are secured on the upper part of the TPA.

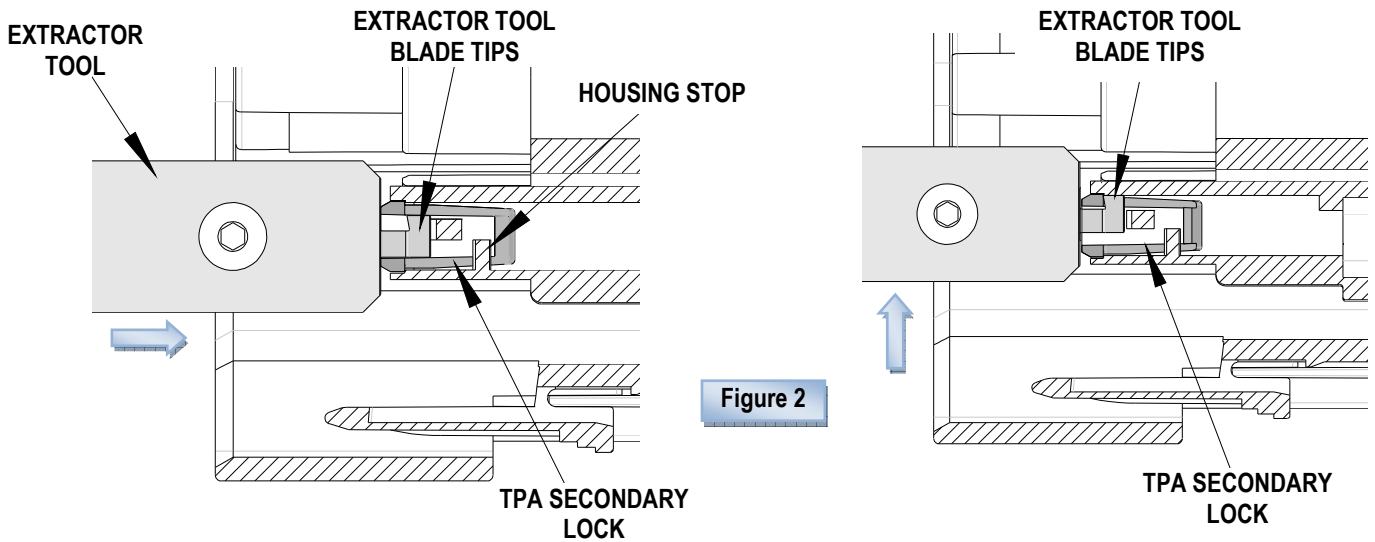


Figure 2

4. When the TPA is engaged, gently pull the extractor tool in the arrow direction shown, maintaining a constant pressure on the Extractor tool handle until the Secondary Locking Key (TPA) stops. When it stops the TPA is unlocked. Do not pull the TPA out of the connector. See Figures 3.

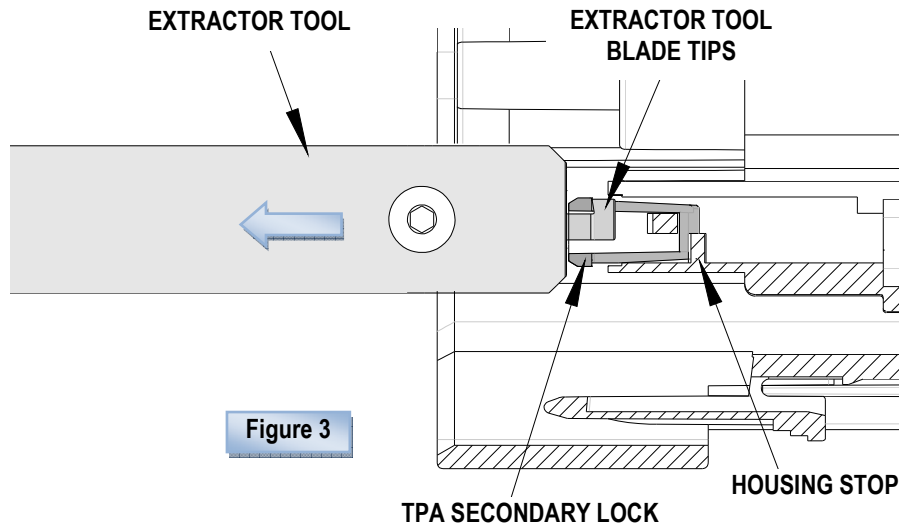


Figure 3

Molex does not offer repair parts for Extractor Tools due to the inexpensive nature of these tools.

CAUTION: This extractor tool should be used to extract the TPA only. Using it for unintended purposes may cause injury or damage to parts. Be careful not to damage the TPA slots.

Contact Information

For more information on Molex application tooling please contact Molex at 1-800-786-6539.

Visit our Web site at <http://www.molex.com>