

NOTE

- 1. 端子テール部及びネイルの平坦度 : 0.1mm MAX.
TAIL AND NAIL COPLANARITY TO BE 0.1 MAX.
- 2. (極数) = 偶数に適用
APPLY FOR (CIRCUIT SIZE)=EVEN.
- 3. 適用製品及び各種仕様書はSHEET 3を参照のこと
REFER TO SHEET 3 ABOUT APPLICABLE PRODUCTS AND VARIOUS SPECIFICATIONS.
- 4. トレードマーク : MXプラス1文字の製造工場を示すアルファベットにて表示
但し、"J"はJAPANを示す(例: MXJ)
キャビティ番号 : 1~2桁の数字にて表示
金型番号 : アルファベット1文字にて表示

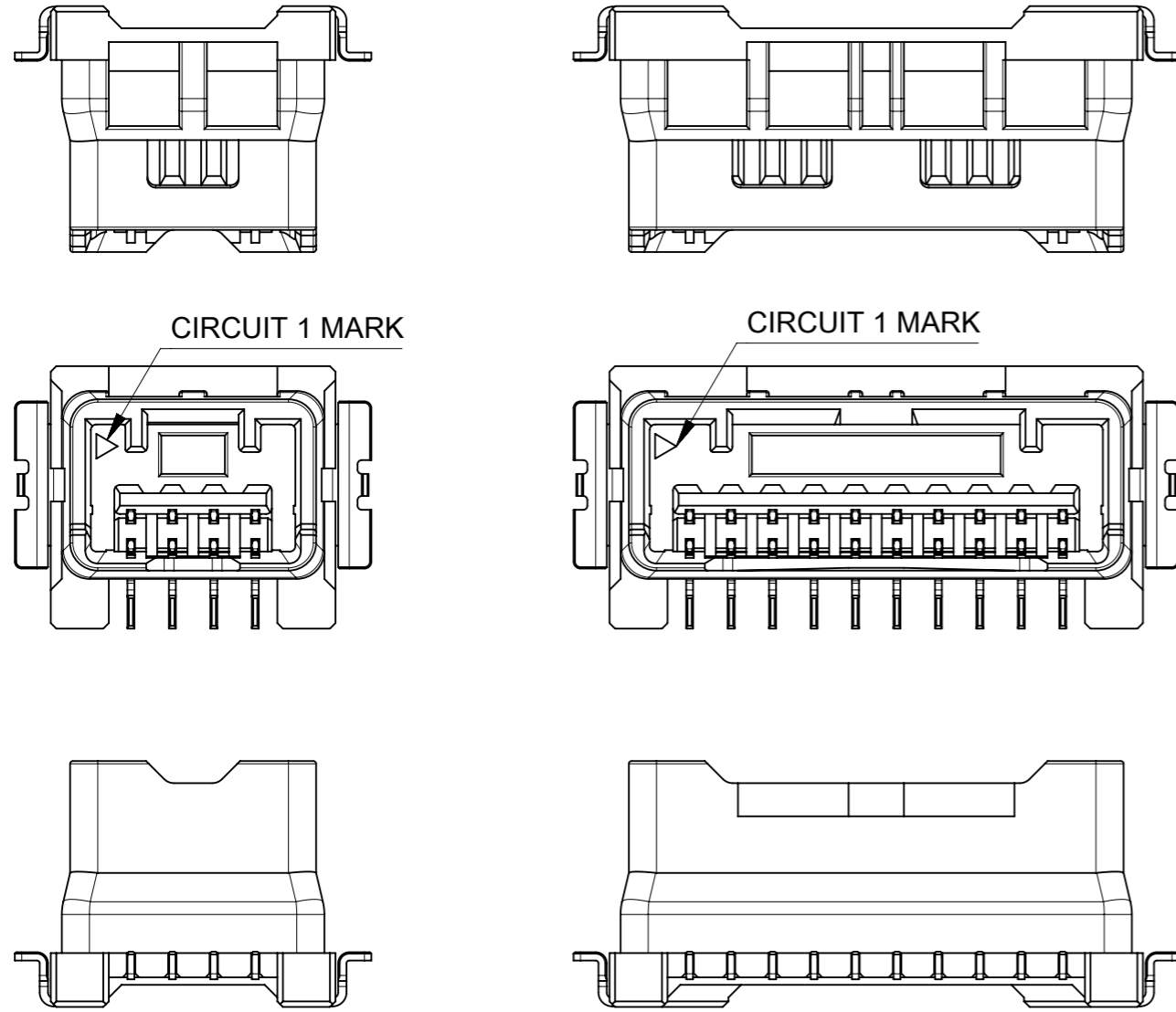
21.9	13.5	±0.25	17.9	18.5	±0.25	10
18.9	10.5		14.9	15.5		8
17.4	9	(±0.20)	13.4	14	(±0.20)	7
15.9	7.5		11.9	12.5		6
12.9	4.5		8.9	9.5		4
11.4	3		7.4	8		3
D	C	B	A		極数 CIRCUIT NO	

番号 NO.	部品 PART	材質 MATERIAL
①	ハウジング HOUSING	ポリアミド(PA) UL94V-0 色 : SEE CHART POLYAMIDE(PA) UL94V-0 COLOR : SEE CHART
②	ターミナル TERMINAL	銅合金 COPPER ALLOY
		錫めっき : 1.0 micro-meter MIN MATTE TIN PLATING ニッケルめっき(下地) : 1.0 micro-meter MIN NICKEL (UNDER PLATING)
③	ネイル NAIL	黄銅 BRASS
		錫めっき : 1.0 micro-meter MIN MATTE TIN PLATING ニッケルめっき(下地) : 1.0 micro-meter MIN NICKEL (UNDER PLATING)

DOCUMENT STATUS	P1	RELEASE DATE	2020/03/03	06:59:12
-----------------	----	--------------	------------	----------

THIS DRAWING CONTAINS INFORMATION THAT IS PROPRIETARY TO MOLEX ELECTRONIC TECHNOLOGIES, LLC AND SHOULD NOT BE USED WITHOUT WRITTEN PERMISSION		CURRENT REV DESC:		molex	
DIMENSION UNITS	SCALE				
mm	NTS			CLIK-MATE 1.5 BOTTOM ENTRY TYPE	
GENERAL TOLERANCES (UNLESS SPECIFIED)		EC NO: 632623		PRODUCT CUSTOMER DRAWING	
ANGULAR TOL	± 3.0 °	DRWN: MIKEDA01	2019/07/22	DOCUMENT NUMBER	
4 PLACES	± 0.2	CHK'D: SAKIYAMA	2020/02/28	DOC TYPE	
3 PLACES	± 0.2	APPR: KOMURAKAMI	2020/03/03	DOC PART	
2 PLACES	± 0.2	INITIAL REVISION:		REVISION	
1 PLACE	± 0.2	DRWN: MIKEDA01	2019/07/22	5033950000-SD	
0 PLACES	± 0.2	APPR: KOMURAKAMI	2020/03/03	PSD 000 A	
DRAFT WHERE APPLICABLE MUST REMAIN WITHIN DIMENSIONS		THIRD ANGLE PROJECTION	DRAWING	SERIES	MATERIAL NUMBER
			A3-SIZE	503395	503395****
				CUSTOMER	SHEET NUMBER
				GENERAL	1 OF 5

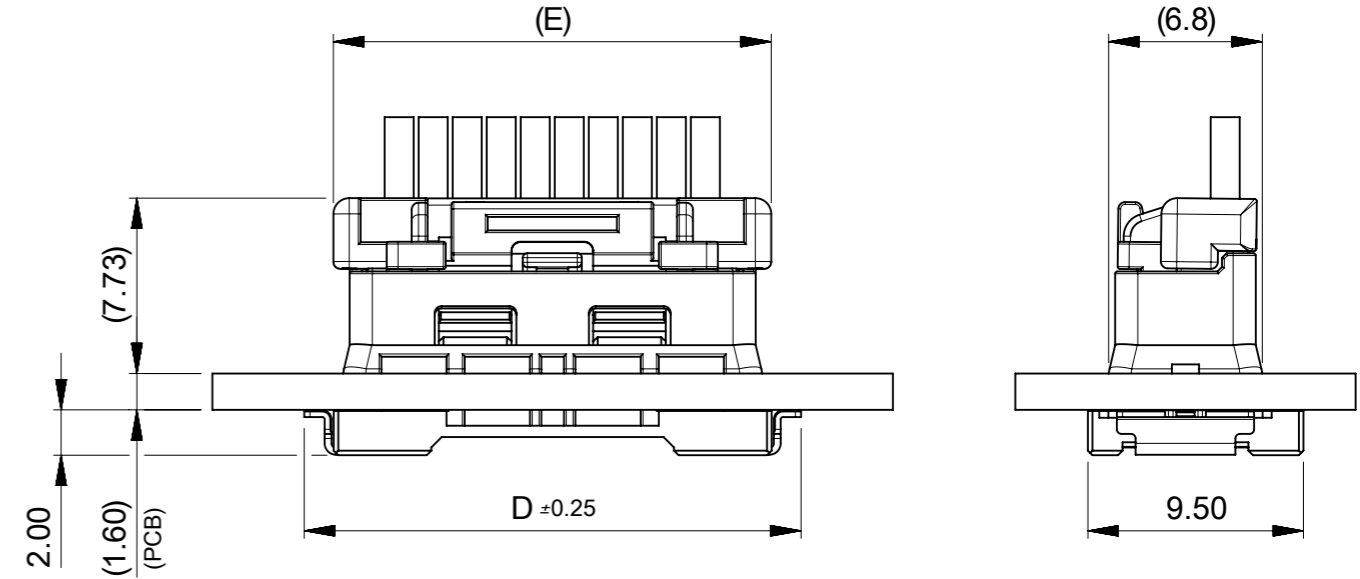
極数別ハウジング形状
HOUSING SHAPE AT EACH CKT



3~4極
3-4 CIRCUITS

6~10極
6-10 CIRCUITS

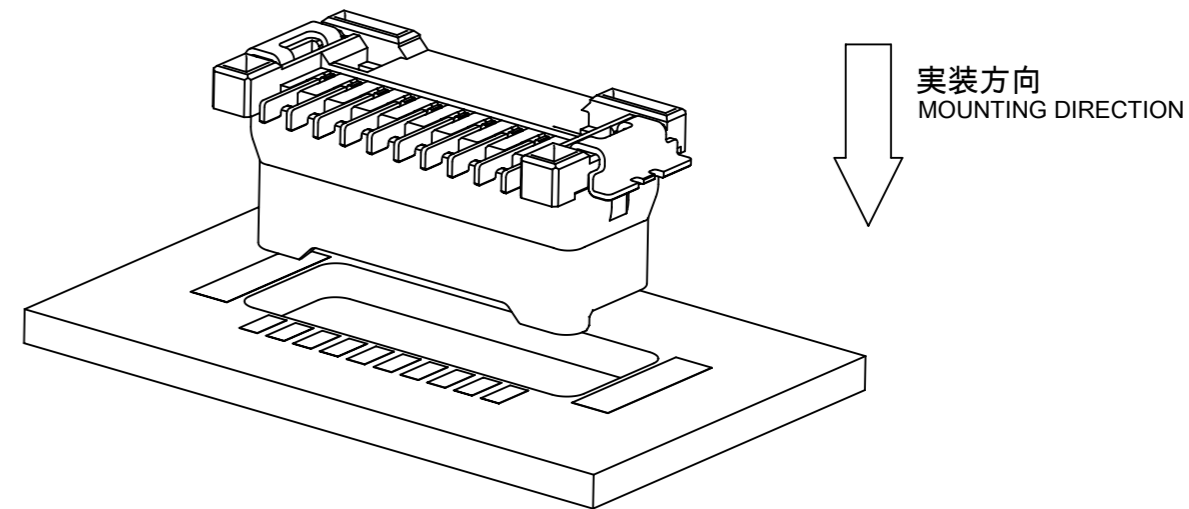
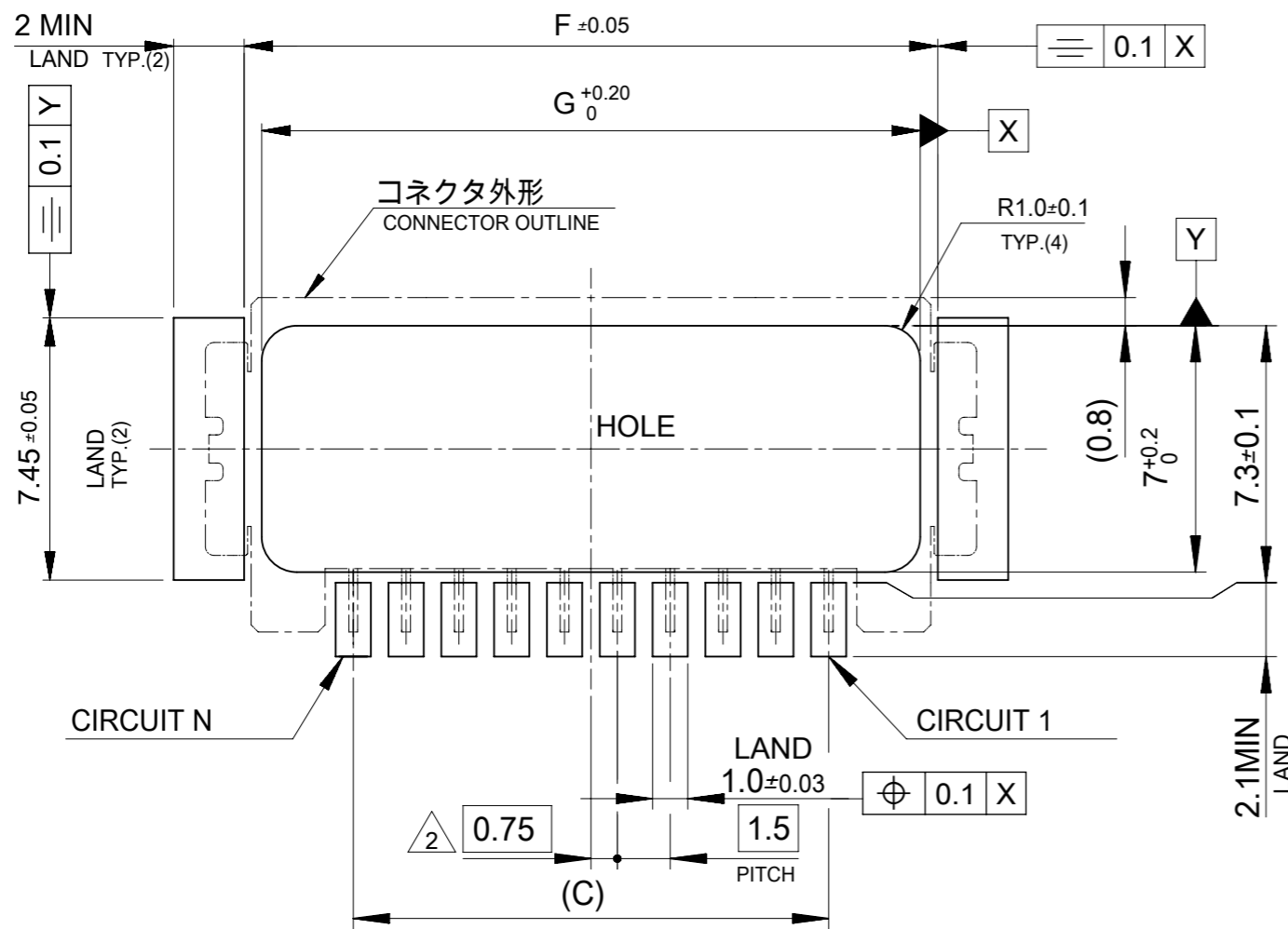
嵌合図
MATED CONNECTORS



19.3	21.9	10
16.3	18.9	8
14.8	17.4	7
13.3	15.9	6
10.3	12.9	4
8.8	11.4	3
E	D	極数 CIRCUIT NO

THIS DRAWING CONTAINS INFORMATION THAT IS PROPRIETARY TO MOLEX ELECTRONIC TECHNOLOGIES, LLC AND SHOULD NOT BE USED WITHOUT WRITTEN PERMISSION

DIMENSION UNITS mm	SCALE NTS	CURRENT REV DESC:		molex		
GENERAL TOLERANCES (UNLESS SPECIFIED)		EC NO: 632623				
ANGULAR TOL	± 3.0 °	DRWN: MIKEDA01	2019/07/22	PRODUCT CUSTOMER DRAWING		
4 PLACES	± 0.2	CHK'D: SAKIYAMA	2020/02/28	DOCUMENT NUMBER		
3 PLACES	± 0.2	APPR: KOMURAKAMI	2020/03/03	5033950000-SD		
2 PLACES	± 0.2	INITIAL REVISION:		DOC TYPE	DOC PART	REVISION
1 PLACE	± 0.2	DRWN: MIKEDA01	2019/07/22	PSD	000	A
0 PLACES	± 0.2	APPR: KOMURAKAMI	2020/03/03	SHEET NUMBER		
DRAFT WHERE APPLICABLE MUST REMAIN WITHIN DIMENSIONS		THIRD ANGLE PROJECTION	DRAWING	SERIES	MATERIAL NUMBER	CUSTOMER
			A3-SIZE	503395	503395****	GENERAL



推奨基板寸法(実装面)
RECOMMENDED PCB LAYOUT (MOUNT SIDE)

NOTE

5. 推奨メタルマスク RECOMMENDED METAL STENCIL SPECIFICATION.
 マスク厚 ; 0.15mm STENCIL THICKNESS : 0.15mm
 尚、貴社にて上記以外でご利用頂く場合、事前にご確認頂きます様お願い致します。
 IF YOU USE ANOTHER THICKNESS WRITTEN ABOVE, PLEASE CONFIRM BEFOREHAND AS YOUR RESPONSIBILITY

△3 適用製品及び各種仕様書
APPLICABLE PRODUCTS AND VARIOUS SPECIFICATIONS

梱包仕様書 PACKAGING SPECIFICATION	PART NUMBER	DOCUMENT NUMBER
	503395 **1*	SPK-503395-001

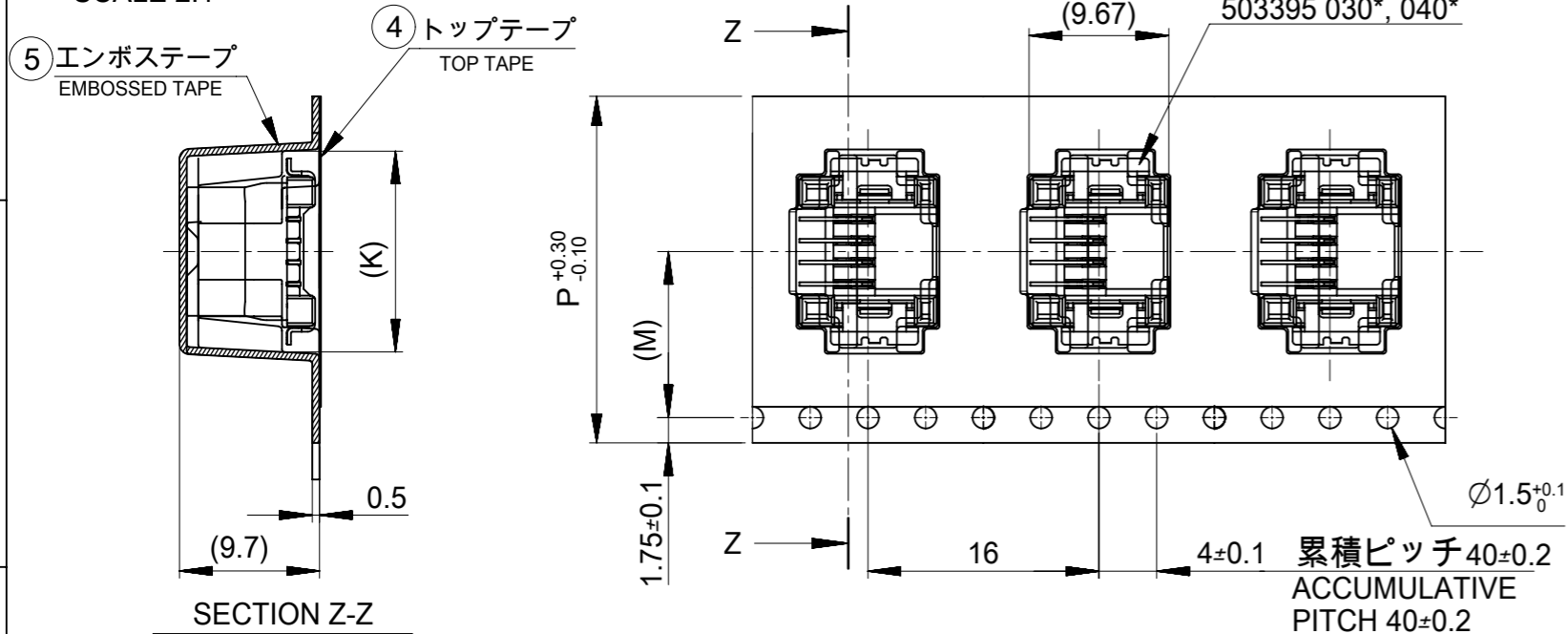
適用嵌合相手 MATE WITH	HOUSING	TERMINAL	
		#24-28	#26-30
シリーズ番号 SERIES NUMBER	502578	502579	503429
製品仕様書 PRODUCT SPECIFICATION	5025780003-PS		
アプリケーション仕様書 APPLICATION SPECIFICATION	AS-503395-001		

18.7	±0.25	19.3	±0.25	13.5	±0.25	10
15.7		16.3		10.5		8
14.2	(±0.20)	14.8	(±0.20)	9	(±0.20)	7
12.7		13.3		7.5		6
9.7		10.3		4.5		4
8.2	(±0.20)	8.8 (±0.20)	(±0.20)	3	(±0.20)	3
G		F		C		極数 CIRCUIT NO

THIS DRAWING CONTAINS INFORMATION THAT IS PROPRIETARY TO MOLEX ELECTRONIC TECHNOLOGIES, LLC AND SHOULD NOT BE USED WITHOUT WRITTEN PERMISSION									
DIMENSION UNITS mm		SCALE NTS		CURRENT REV DESC:					
GENERAL TOLERANCES (UNLESS SPECIFIED)		ANGULAR TOL ± 3.0°		4 PLACES ± 0.2		3 PLACES ± 0.2		2 PLACES ± 0.2	
1 PLACE ± 0.2		0 PLACES ± 0.2		DRAFT WHERE APPLICABLE MUST REMAIN WITHIN DIMENSIONS		THIRD ANGLE PROJECTION		DRAWING A3-SIZE	
SERIES 503395		MATERIAL NUMBER 503395****		CUSTOMER GENERAL		SHEET NUMBER 3 OF 5		DOCUMENT NUMBER 5033950000-SD	
DOC TYPE PSD		DOC PART 000		REVISION A					
EC NO: 632623 DRWN: MIKEDA01 2019/07/22 CHK'D: SAKIYAMA 2020/02/28 APPR: KOMURAKAMI 2020/03/03				CLIK-MATE 1.5 BOTTOM ENTRY TYPE PRODUCT CUSTOMER DRAWING					

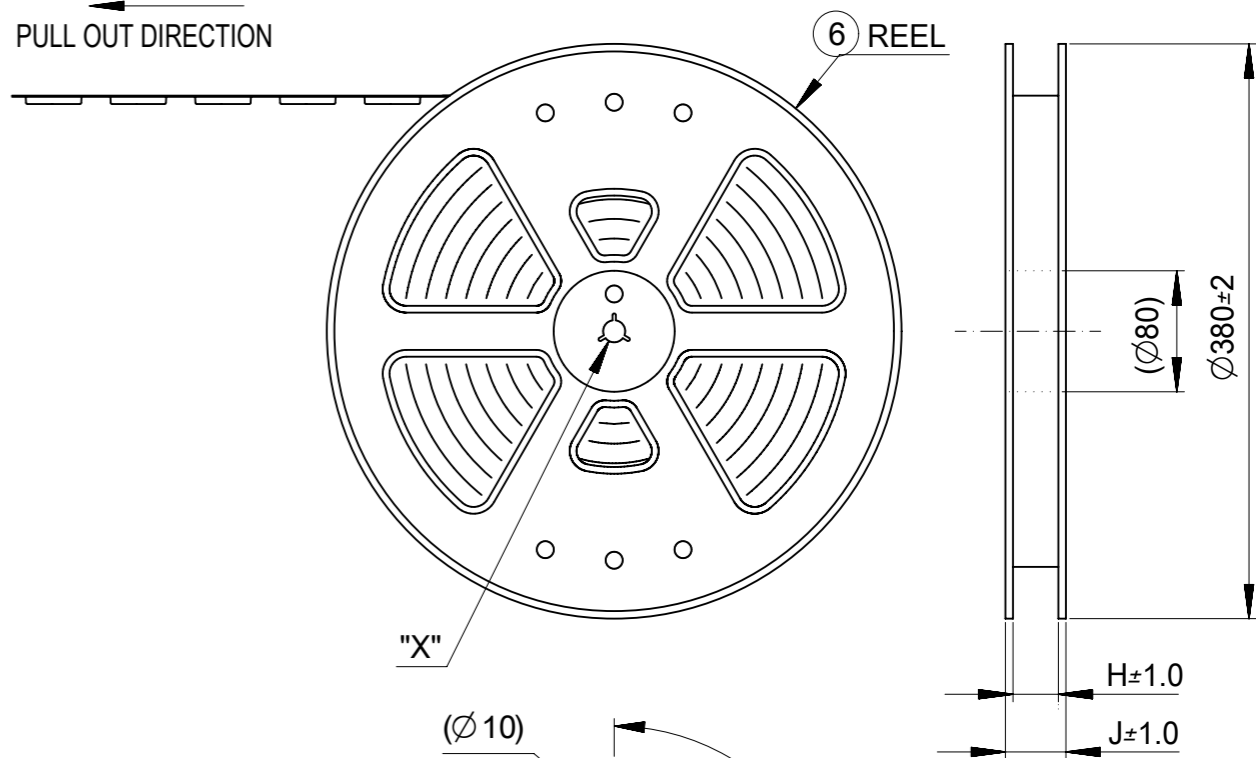
24mm幅エンボステープ

SCALE 2:1



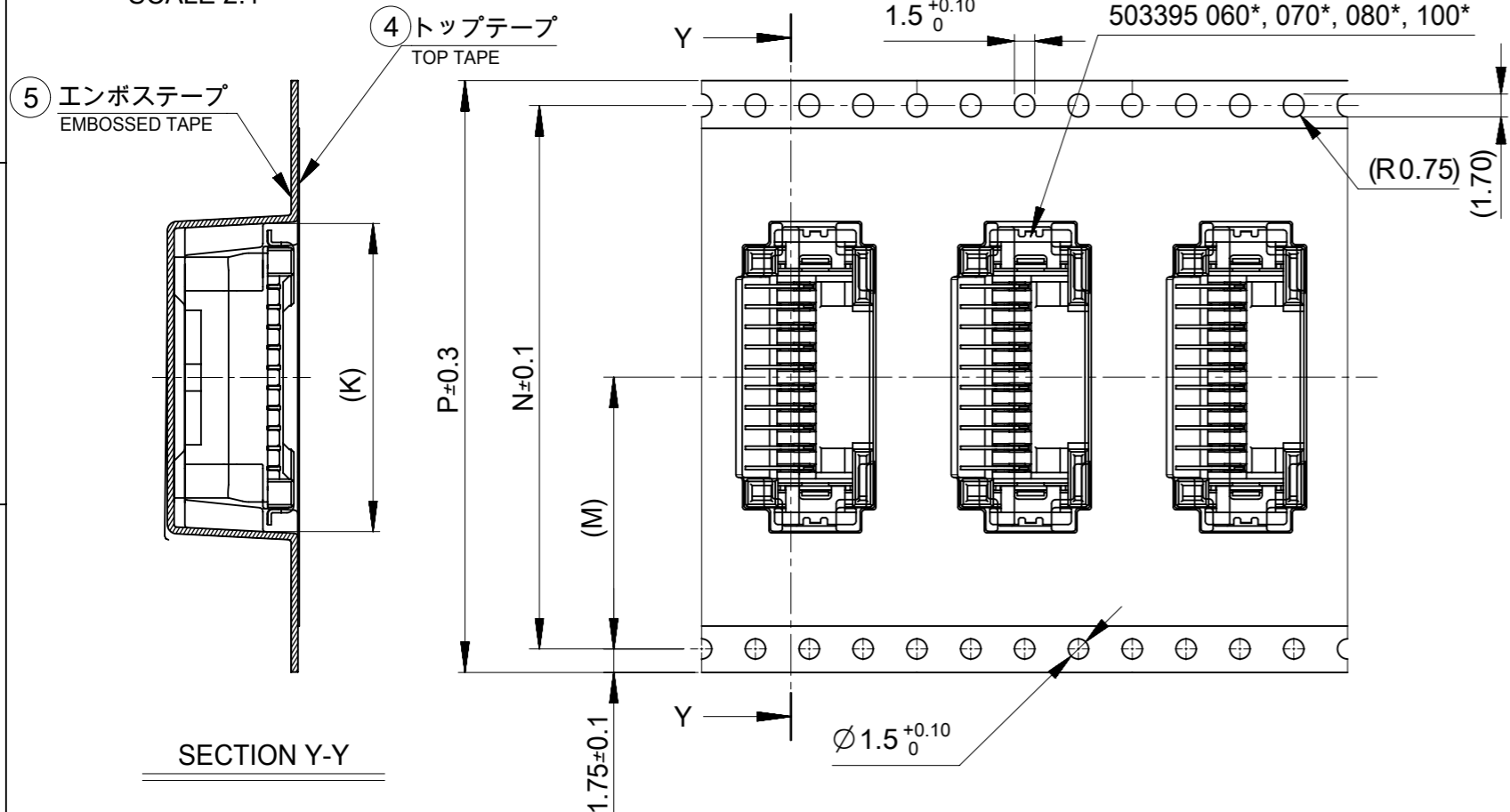
引き出し方向

PULL OUT DIRECTION



32, 44mm幅エンボステープ

SCALE 2:1



44	40.4	20.2	22.9	49.4	45.4	10	
32	28.4	14.2	19.9	37.4	33.4	8	
			18.4			7	
24	-	11.5	16.9	29.4	25.4	6	
			13.9			4	
			12.4			3	
P: エンボス幅 EMBOSSSED TAPE WIDTH		N	(M)	(K)	J	H	極数 CIRCUIT NO

番号 NO.	部品 PART	材質 MATERIAL
④	エンボステープ EMBOSSSED TAPE	ポリスチレン(PS) POLYSTYRENE(PS)
⑤	トップテープ TOP TAPE	ポリエチレン、ポリエチレンテレフタレート POLYETHYLENE(PE), POLYETHYLENE TEREPHTHALATE(PET)
⑥	リール REEL	ポリスチレン(PS) <リサイクル材を含む> POLYSTYRENE(PS) <RECYCLE MATERIAL CONTAINED>

DOCUMENT STATUS	P1	RELEASE DATE	2020/03/03	06:59:12
-----------------	----	--------------	------------	----------

THIS DRAWING CONTAINS INFORMATION THAT IS PROPRIETARY TO MOLEX ELECTRONIC TECHNOLOGIES, LLC AND SHOULD NOT BE USED WITHOUT WRITTEN PERMISSION

DIMENSION UNITS	SCALE	CURRENT REV DESC:	molex		
mm	NTS				
GENERAL TOLERANCES (UNLESS SPECIFIED)			CLIK-MATE 1.5 BOTTOM ENTRY TYPE		
ANGULAR TOL	± 3.0°				
4 PLACES	± 0.2	EC NO: 632623	PRODUCT CUSTOMER DRAWING		
3 PLACES	± 0.2	DRWN: MIKEDA01 2019/07/22			
2 PLACES	± 0.2	CHK'D: SAKIYAMA 2020/02/28	DOCUMENT NUMBER		
1 PLACE	± 0.2	APPR: KOMURAKAMI 2020/03/03			
0 PLACES	± 0.2	INITIAL REVISION:	5033950000-SD		
		DRWN: MIKEDA01 2019/07/22			
DRAFT WHERE APPLICABLE MUST REMAIN WITHIN DIMENSIONS			DOC TYPE		
THIRD ANGLE PROJECTION			DOC PART		
DRAWING			REVISION		
SERIES			DOCUMENT NUMBER		
MATERIAL NUMBER			CUSTOMER		
SHEET NUMBER			REVISION		

503395

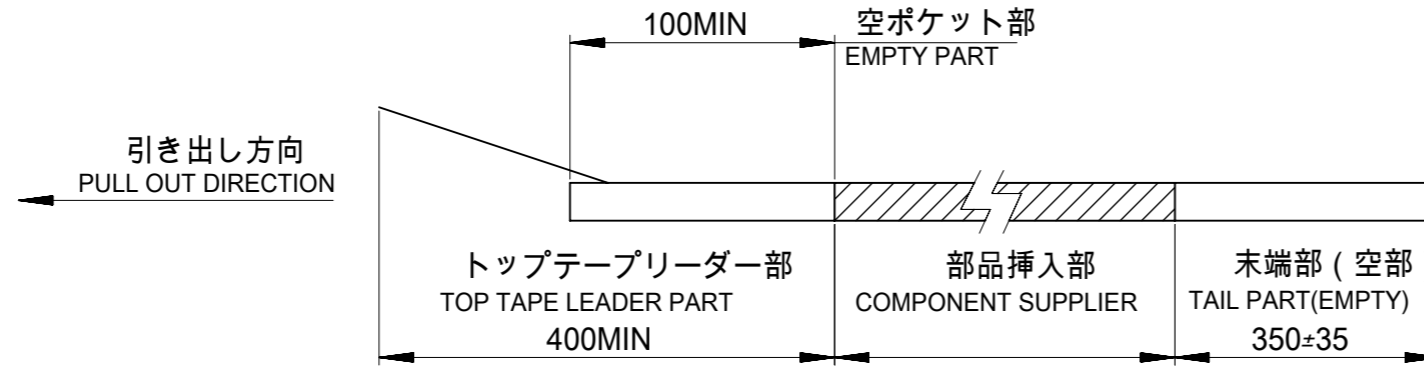
503395****

GENERAL

4 OF 5

NOTES

- 6. 梱包数量 : 600個 / リール
NUMBER OF CONNECTORS : 600 PCS/REEL.
- 7. リードテープ長さ
LEAD TAPE LENGTH



- 8. トップテープの剥離強度はJIS C0806-3に準拠
TOP TAPE PEELING FORCE IS DEFINED BY JIS C0806-3
- 9. 本製品は乾燥剤入り、ハイバリア梱包による納入となります
THIS PRODUCT IS DELIVERED IN A HIGH BARRIER PACKAGE WITH DESICCANT
- 10. オーダー番号(製品番号):
ORDER NO (MATERIAL NO):

503395 **1*

シリーズ番号
SERIES NO

極数
CIRCUIT SIZE

色
COLOR

NO.	色 COLOR
0	ナチュラル NATURAL (ベージュ BEIGE)
1	黒 BLACK
2	赤 RED
4	青 BLUE
6	緑 GREEN

緑 GREEN	青 BLUE	赤 RED	黒 BLACK	ナチュラル(ベージュ) NATURAL(BEIGE)	色 COLOR
503395 1016	503395 1014	503395 1012	503395 1011	503395 1010	10
503395 0816	503395 0814	503395 0812	503395 0811	503395 0810	8
503395 0716	503395 0714	503395 0712	503395 0711	503395 0710	7
503395 0616	503395 0614	503395 0612	503395 0611	503395 0610	6
503395 0416	503395 0414	503395 0412	503395 0411	503395 0410	4
503395 0316	503395 0314	503395 0312	503395 0311	503395 0310	3
オーダー番号 ORDER NO					極数 CIRCUIT NO

THIS DRAWING CONTAINS INFORMATION THAT IS PROPRIETARY TO MOLEX ELECTRONIC TECHNOLOGIES, LLC AND SHOULD NOT BE USED WITHOUT WRITTEN PERMISSION

DIMENSION UNITS mm	SCALE NTS	CURRENT REV DESC:		molex		
GENERAL TOLERANCES (UNLESS SPECIFIED)		EC NO: 632623				
ANGULAR TOL ± 3.0 °	4 PLACES ± 0.2	DRWN: MIKEDA01 2019/07/22		PRODUCT CUSTOMER DRAWING		
3 PLACES ± 0.2	2 PLACES ± 0.2	CHK'D: SAKIYAMA 2020/02/28		DOCUMENT NUMBER		
2 PLACES ± 0.2	1 PLACE ± 0.2	APPR: KOMURAKAMI 2020/03/03		5033950000-SD		
1 PLACE ± 0.2	0 PLACES ± 0.2	INITIAL REVISION:		DOC TYPE	DOC PART	REVISION
DRAFT WHERE APPLICABLE MUST REMAIN WITHIN DIMENSIONS		THIRD ANGLE PROJECTION	DRAWING	SERIES	MATERIAL NUMBER	CUSTOMER
			A3-SIZE	503395	503395****	GENERAL
						SHEET NUMBER
						5 OF 5