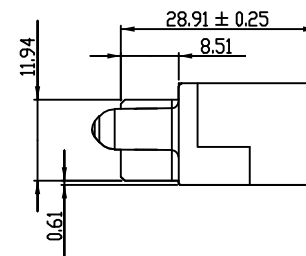
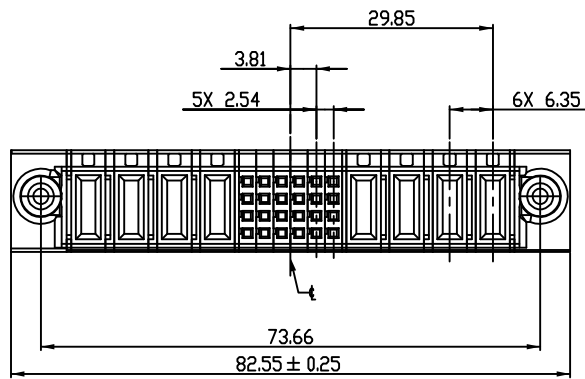
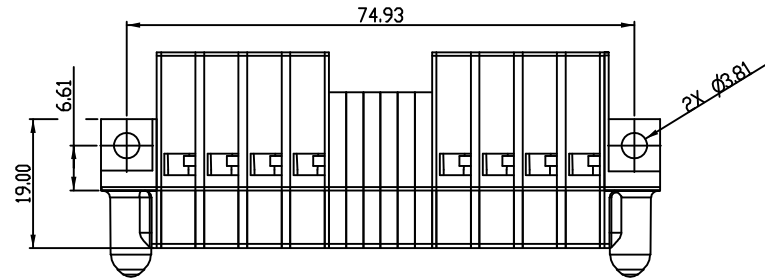


PART NUMBER 10066440-DGC0118LF	ROWS	E	POWER				SIGNAL				POWER				E		
			P8	P7	P6	P5	6	5	4	3	2	1	P4	P3	P2	P1	
	D						S	S	S	S	S	S					
	C		FM	FM	FM	FM	S	S	S	S	S	S	FM	FM	FM	FM	
	B						S	S	S	S	S	S					
A						S	S	S	S	S	S						



CONTACT WIRE TABLE	
CONTACT PITCH	WIRE GAUGE
7.62	8-9
6.35	10-11
	12-14
5.08	12-14
2.54	22-26

CONTACT TABLE	
CODE	DESCRIPTION
FM	FIRST MATE CONTACT
LM	LAST MATE CONTACT
S	SIGNAL CONTACT

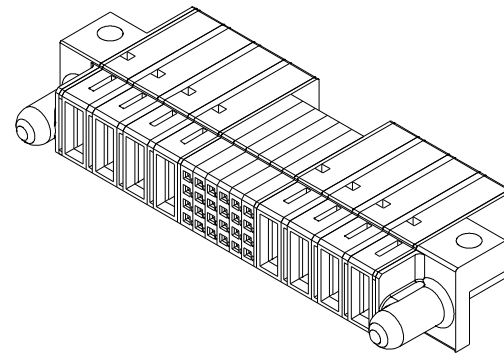
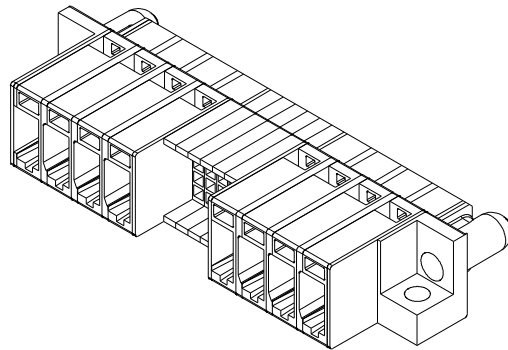
REV	DESCRIPTION	ECN NO.	LM	LAST MATE CONTACT
B	MODIFY NOTES	ELX-N-21259-1	S	SIGNAL CONTACT

spec ref	*	dr	Yong Zhang	2014-10-08	projection 	MM ↔	size	scale		
tolerance std	TOLERANCES UNLESS OTHERWISE SPECIFIED	eng	Yong Zhang	2014-10-08			A4	1:1		
surface	linear	0.X	±0.50	chr			GF Jin	2014-10-08	ecn no	*
		0.XX	±0.25						rel level	Released
		appr	GF Jin	2014-10-08	product family					
					www.fci.com		rel level	Released		
					title		4P+24S+4P PM	rev		
					cat. no.		PWRBLADE CABLE HOUSING	B		
					dwg no		10066440-DGC0118LF			
					Product - Customer Drw		sheet 1 of 2			



Copyright FCI.

Pro/E File - REV C - 2019-06-09



**Note:**

1. Material:thermo plastic,ul94 v-0
2. Bulkhead thickness range:0.79-2.54
3. Color:black
4. Applicable components  
 Applicable power crimp contact: 10132418-\*\*\*\*\*LF  
 Applicable contact secondary lock:10073097-DGC001LF  
 Applicable signal contact 76347-DGC302LF  
 Applicable latch 10066441-DGC001LF for STR version
5. Product Spec: GS-12-474
6. Application Spec: GS-20-0445
7. The part is been sold as loose piece and fci guarantees is the part in compliance with this customer drawing statement. The product spec for cable assembly can be only as the reference document because the testing and spec is based on using fci raw cable and cable asseymble. If the raw cable and cable assembly is outside suppliers sourced by cusotmers, customers or cable assembly suppliers should be fully responsible for the cable assy quality.



Copyright FCI.

spec ref	*			dr	Yong Zhang	2014-10-08	projection 	MM ↔	size	A4	scale	1:1			
tolerance std	TOLERANCES UNLESS OTHERWISE SPECIFIED			eng	Yong Zhang	2014-10-08			ecn no	*					
				chr	GF Jin	2014-10-08			product family	rel level	Released				
surface	✓	linear	0.X	±0.50		title	4P+24S+4P PM PWRBLADE CABLE HOUSING		dwg no	10066440-DGC0118LF		rev	B		
			0.XX	±0.25								cat. no.	*	Product - Customer Drw	sheet 2 of 2
		angular	0°	±2°								www.fci.com			

ProjE File - REV C - 2009-06-09