

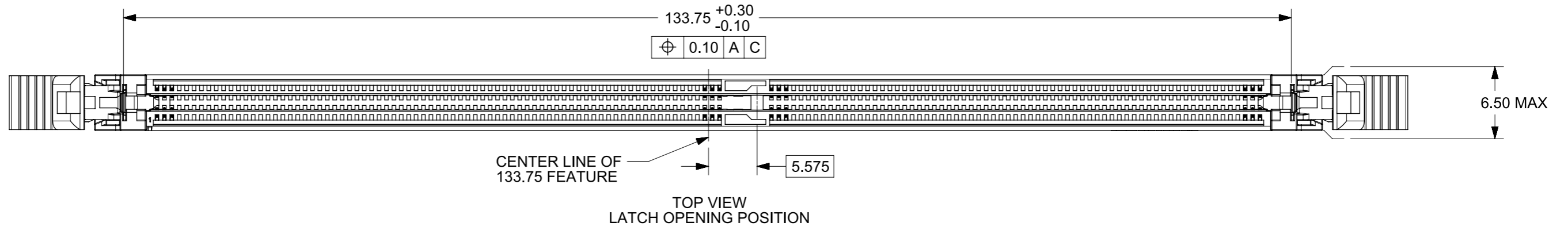
NOTES:

1. MATERIAL : HOUSING - HALOGEN FREE HIGH TEMP POLYAMIDE, GLASS FILLED, UL94V-0.
COLOUR : SEE TABLE ON SHEET 5.
LATCH - HALOGEN FREE HIGH TEMP POLYAMIDE, GLASS FILLED, UL94V-0.
COLOUR : SEE TABLE ON SHEET 5.
TERMINAL : COPPER ALLOY.
METALTAB: COPPER ALLOY.
2. FINISHES - SEE TABLE ON SHEET 5.
3. PRODUCT SPECIFICATION : SEE TABLE ON SHEET 5.
4. PACKAGING SPECIFICATION: PRODUCT SHALL BE PACKED IN TRAY, SEE SHEET 5
5. CARD SLOT ACCEPTS 1.40±0.10MM MODULE THICKNESS (MEASURED OVER P.C. PADS).
6. MOLEX LOGO, DATE & PART NO. INDICATED ON HOUSING.
7. MODULE SEATING PLANE.
8. KEEP OUT ZONE RESERVED FOR LATCH.
9. KEEP OUT AREA IS THE AREA WHERE THE CONNECTOR (INCLUDES LATCHES IN OPENING POSITION) IS MOUNTED ON THE PCB.
10. REFER TO AS-78730-001 FOR CONNECTOR APPLICATION GUIDELINE.
11. REFER TO AS-78730-002 FOR PCB ROUTING RECOMMENDATIONS.

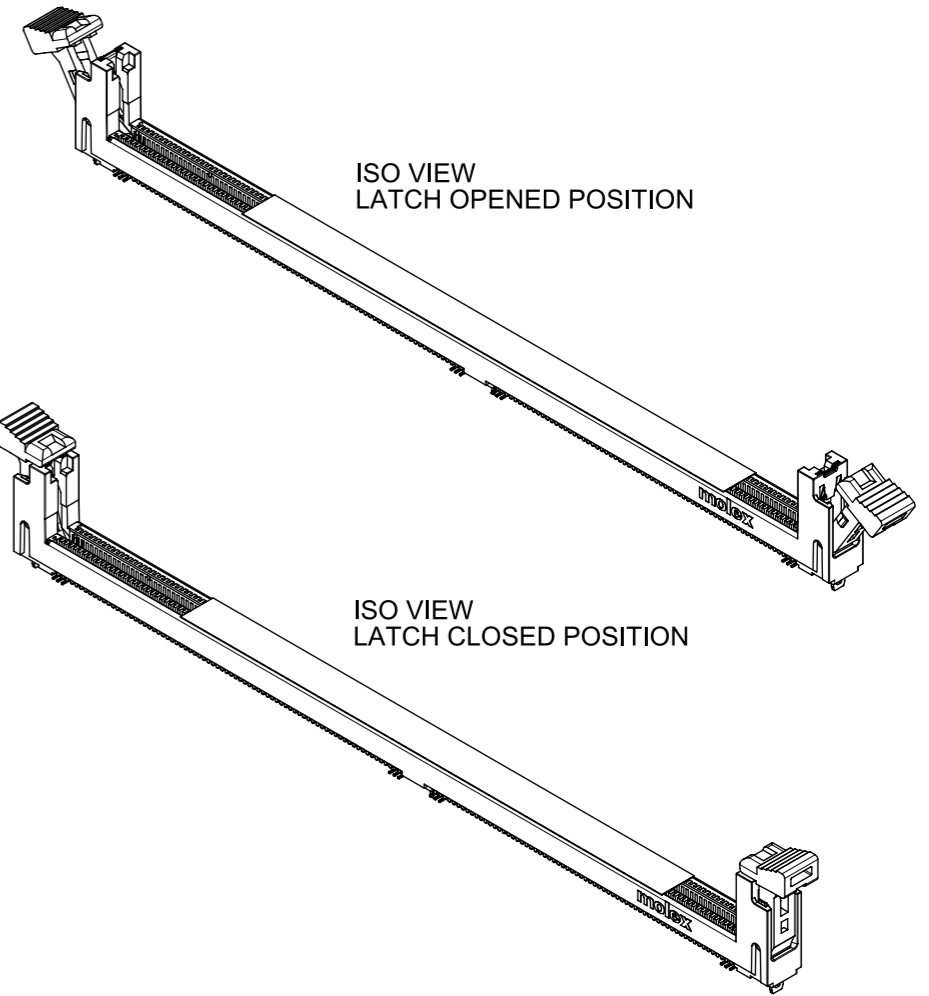
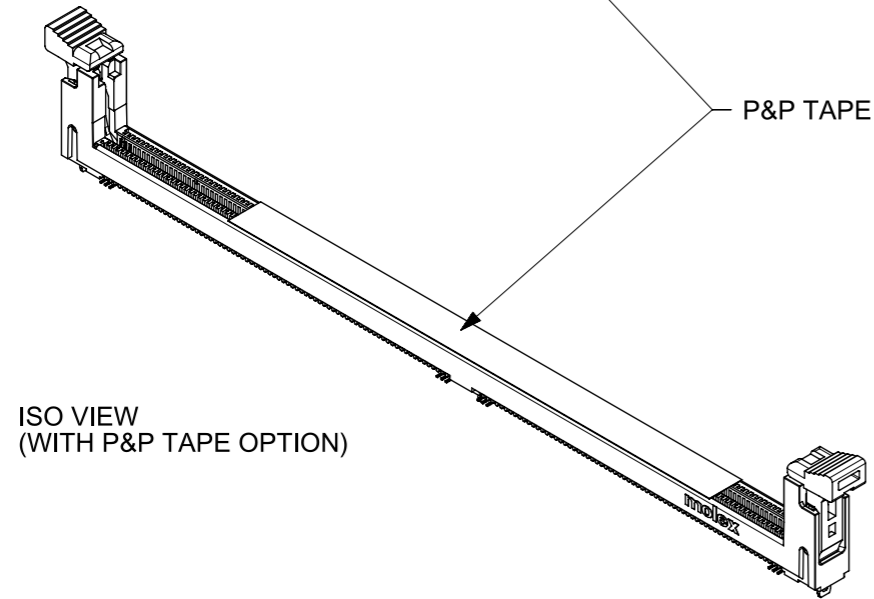
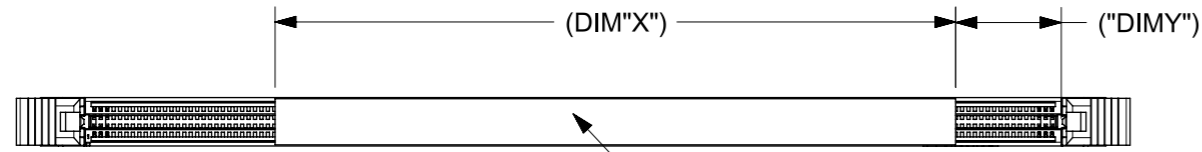
THIS DESIGN IS BASED ON DESIGN OBJECTIVES AND IS STRICTLY TENTATIVE. IT MAY CHANGE BASED ON RESULTS OF ADDITIONAL DESIGN REVIEWS AND VERIFICATIONS.

DETAIL E : BUMPER ZONE

THIS DRAWING CONTAINS INFORMATION THAT IS PROPRIETARY TO MOLEX ELECTRONIC TECHNOLOGIES, LLC AND SHOULD NOT BE USED WITHOUT WRITTEN PERMISSION		CURRENT REV DESC:		molex	
DIMENSION UNITS	SCALE				
mm	NTS			DDR4 DIMM, 0.85MM PITCH 288CKTS, VERT. SMT (TAB)	
GENERAL TOLERANCES (UNLESS SPECIFIED)		EC NO: 674190		PRODUCT CUSTOMER DRAWING	
ANGULAR TOL	± 3.0 °	DRWN: CCHEN103	2021/07/20	DOCUMENT NUMBER	
4 PLACES	±	CHK'D: SHLENI	2021/08/31	2128250001	
3 PLACES	±	APPR: SHLENI	2021/08/31	DOC TYPE	DOC PART
2 PLACES	± 0.2	INITIAL REVISION:		PSD	000
1 PLACE	±	DRWN: SKANG	2019/04/10	A5	
0 PLACES	±	APPR: SHLENI	2019/04/24	SHEET NUMBER	
DRAFT WHERE APPLICABLE MUST REMAIN WITHIN DIMENSIONS		THIRD ANGLE PROJECTION	DRAWING	SERIES	MATERIAL NUMBER
			A3-SIZE	212825	SEE TABLE
				CUSTOMER	GENERAL MARKET
					1 OF 5



VIEWS WITH P&P TAPE OPTION



THIS DESIGN IS BASED ON DESIGN OBJECTIVES AND IS STRICTLY TENTATIVE. IT MAY CHANGE BASED ON RESULTS OF ADDITIONAL DESIGN REVIEWS AND VERIFICATIONS.

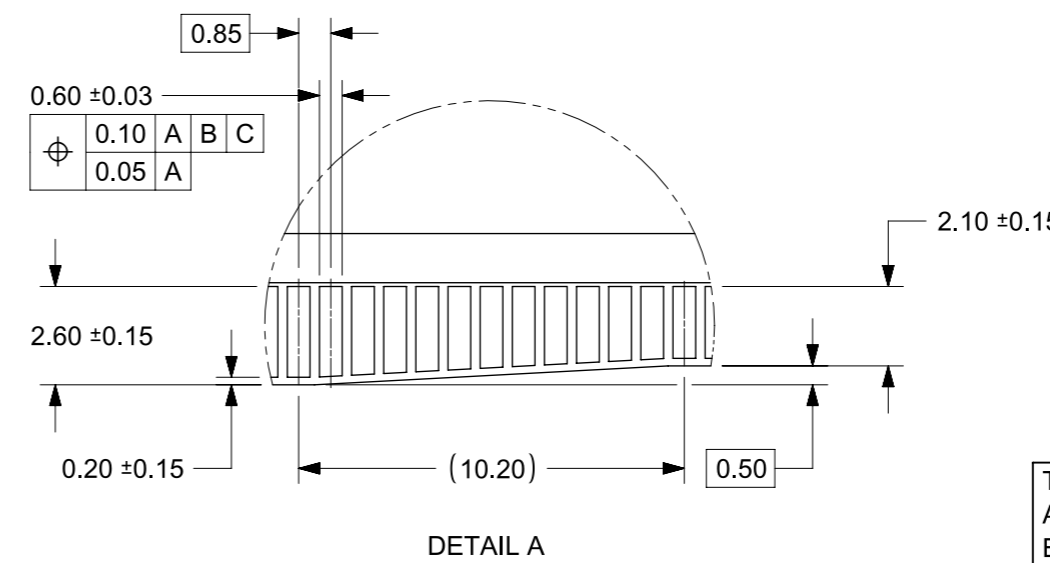
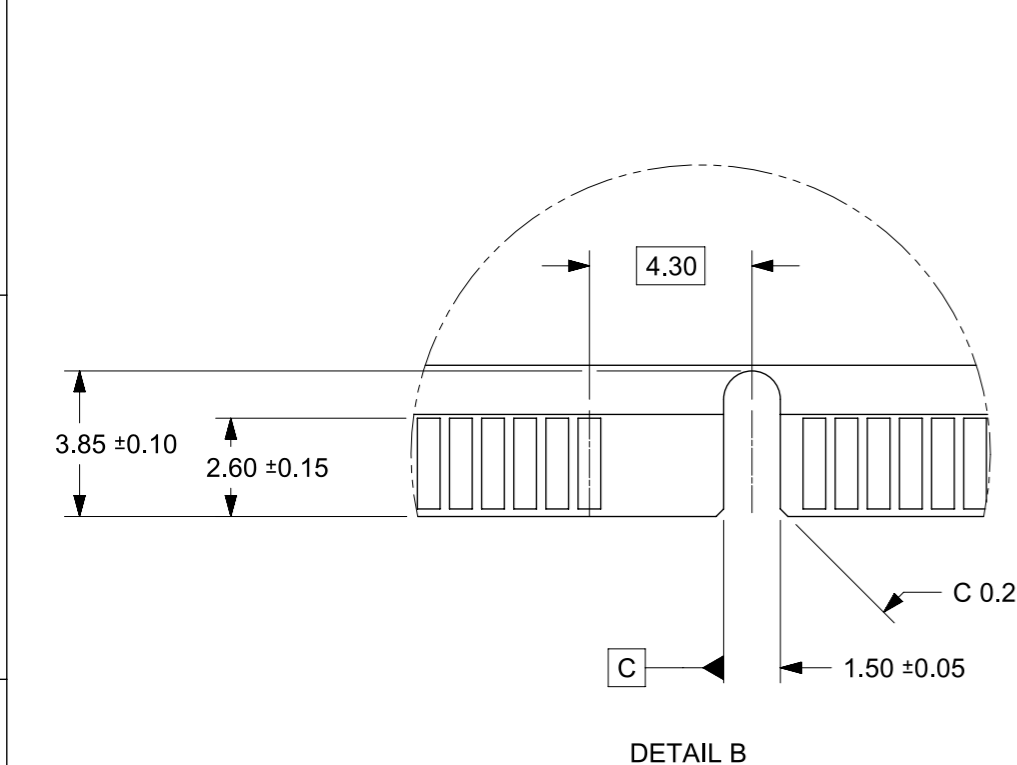
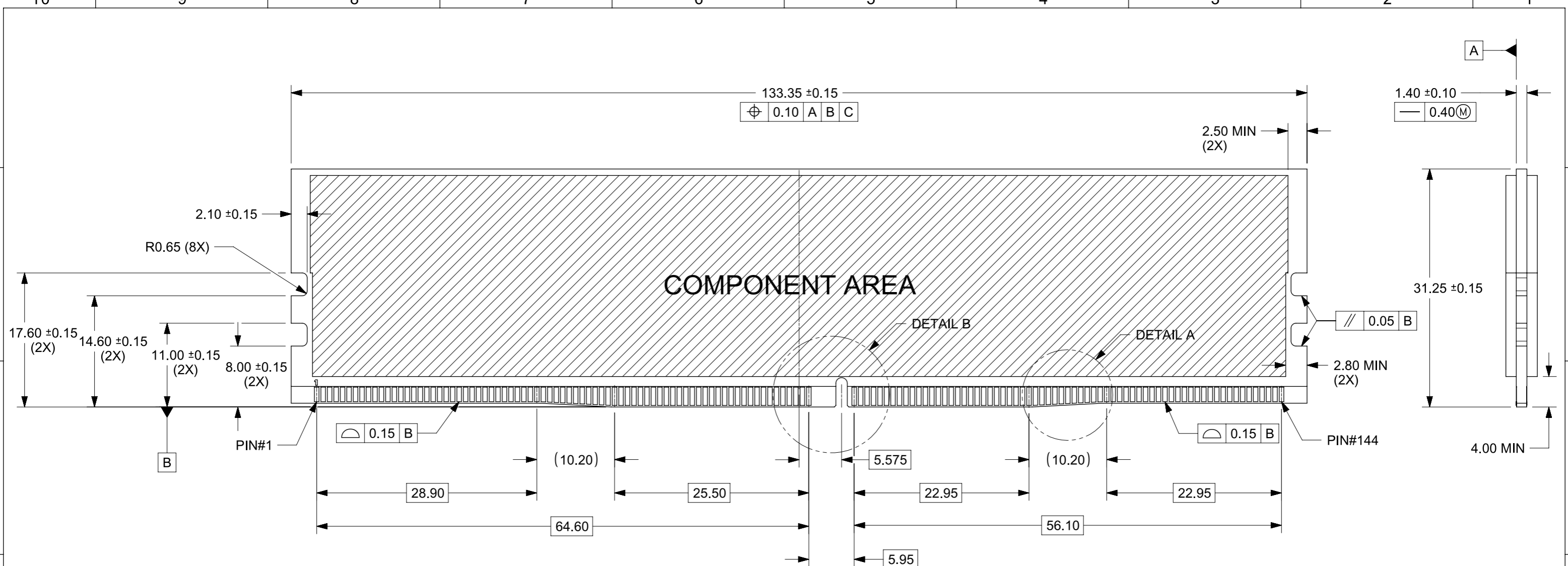
THIS DRAWING CONTAINS INFORMATION THAT IS PROPRIETARY TO MOLEX ELECTRONIC TECHNOLOGIES, LLC AND SHOULD NOT BE USED WITHOUT WRITTEN PERMISSION									
DIMENSION UNITS		SCALE		CURRENT REV DESC:				molex	
mm		NTS							
GENERAL TOLERANCES (UNLESS SPECIFIED)				EC NO: 674190					
ANGULAR TOL				± 3.0 °		DRWN: CCHEN103 2021/07/20			
4 PLACES				±		CHK'D: SHLENI 2021/08/31			
3 PLACES				±		APPR: SHLENI 2021/08/31			
2 PLACES				± 0.2		INITIAL REVISION:			
1 PLACE				±		DRWN: SKANG 2019/04/10			
0 PLACES				±		APPR: SHLENI 2019/04/24			
DRAFT WHERE APPLICABLE MUST REMAIN WITHIN DIMENSIONS				THIRD ANGLE PROJECTION		DRAWING		SERIES	
						A3-SIZE		212825	
				MATERIAL NUMBER		CUSTOMER		SHEET NUMBER	
				SEE TABLE		GENERAL MARKET		2 OF 5	

molex

DDR4 DIMM, 0.85MM PITCH
288CKTS, VERT. SMT (TAB)

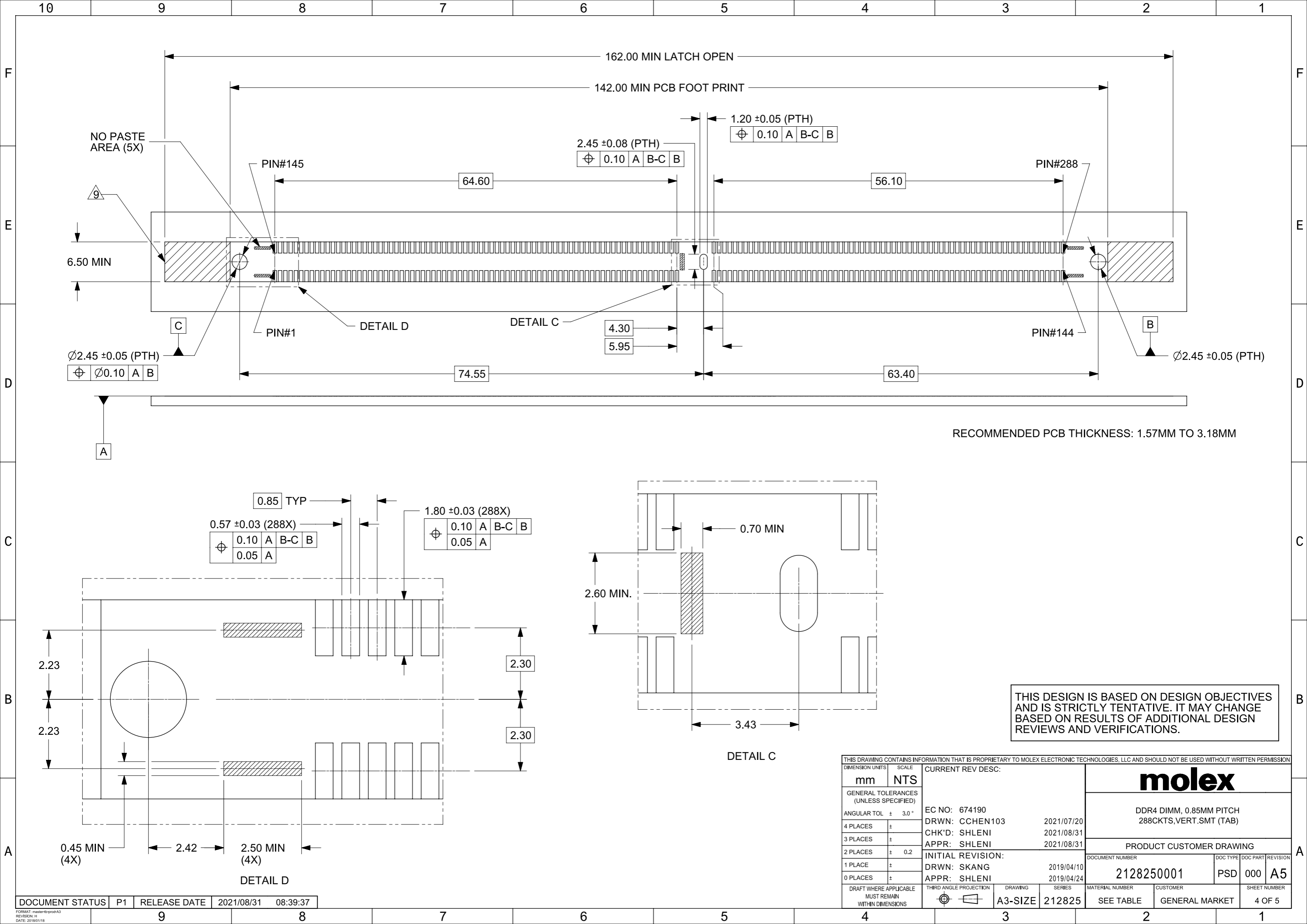
PRODUCT CUSTOMER DRAWING

DOCUMENT NUMBER: 2128250001
DOC TYPE: PSD
DOC PART: 000
REVISION: A5



THIS DESIGN IS BASED ON DESIGN OBJECTIVES AND IS STRICTLY TENTATIVE. IT MAY CHANGE BASED ON RESULTS OF ADDITIONAL DESIGN REVIEWS AND VERIFICATIONS.

THIS DRAWING CONTAINS INFORMATION THAT IS PROPRIETARY TO MOLEX ELECTRONIC TECHNOLOGIES, LLC AND SHOULD NOT BE USED WITHOUT WRITTEN PERMISSION		CURRENT REV DESC:		molex	
DIMENSION UNITS	SCALE				
mm	NTS			DDR4 DIMM, 0.85MM PITCH 288CKTS,VERT.SMT (TAB)	
GENERAL TOLERANCES (UNLESS SPECIFIED)		EC NO: 674190		PRODUCT CUSTOMER DRAWING	
ANGULAR TOL	± 3.0 °	DRWN: CCHEN103	2021/07/20	DOCUMENT NUMBER	DOC TYPE DOC PART REVISION
4 PLACES	±	CHK'D: SHLENI	2021/08/31	2128250001	PSD 000 A5
3 PLACES	±	APPR: SHLENI	2021/08/31	INITIAL REVISION:	
2 PLACES	± 0.2			DRWN: SKANG	2019/04/10
1 PLACE	±			APPR: SHLENI	2019/04/24
0 PLACES	±			MATERIAL NUMBER CUSTOMER SHEET NUMBER	
DRAFT WHERE APPLICABLE MUST REMAIN WITHIN DIMENSIONS		THIRD ANGLE PROJECTION	DRAWING	SERIES	MATERIAL NUMBER CUSTOMER SHEET NUMBER
			A3-SIZE	212825	SEE TABLE GENERAL MARKET 3 OF 5

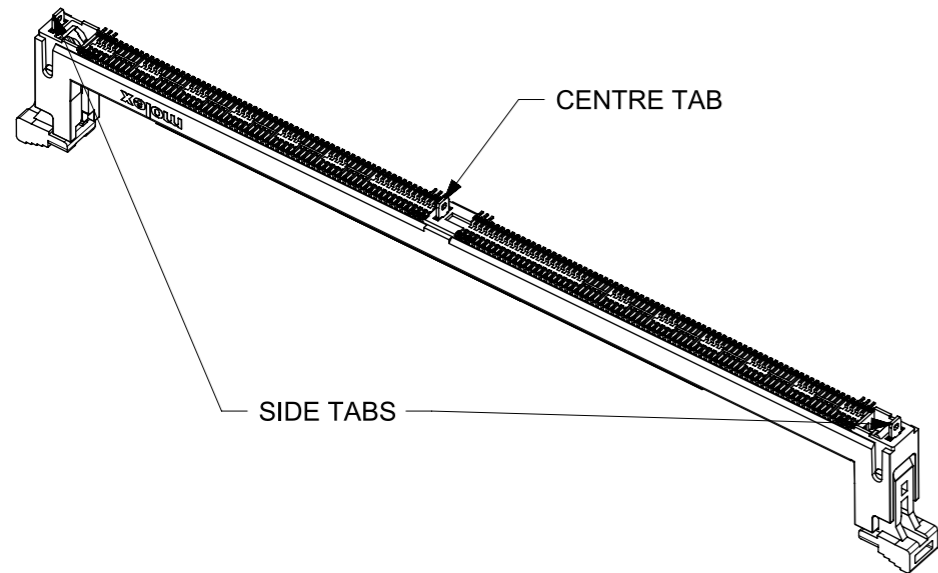


DOCUMENT STATUS	P1	RELEASE DATE	2021/08/31	08:39:37
-----------------	----	--------------	------------	----------

THIS DRAWING CONTAINS INFORMATION THAT IS PROPRIETARY TO MOLEX ELECTRONIC TECHNOLOGIES, LLC AND SHOULD NOT BE USED WITHOUT WRITTEN PERMISSION		CURRENT REV DESC:					
DIMENSION UNITS	SCALE						
mm	NTS			DDR4 DIMM, 0.85MM PITCH 288CKTS,VERT.SMT (TAB)			
GENERAL TOLERANCES (UNLESS SPECIFIED)		EC NO: 674190		DOCUMENT NUMBER			
ANGULAR TOL	± 3.0 °	DRWN: CCHEN103 2021/07/20		2128250001			
4 PLACES	±	CHK'D: SHLENI 2021/08/31		DOC TYPE			
3 PLACES	±	APPR: SHLENI 2021/08/31		PSD			
2 PLACES	± 0.2	INITIAL REVISION:		DOC PART			
1 PLACE	±	DRWN: SKANG 2019/04/10		000			
0 PLACES	±	APPR: SHLENI 2019/04/24		A5			
DRAFT WHERE APPLICABLE MUST REMAIN WITHIN DIMENSIONS		THIRD ANGLE PROJECTION	DRAWING	SERIES	MATERIAL NUMBER	CUSTOMER	SHEET NUMBER
			A3-SIZE	212825	SEE TABLE	GENERAL MARKET	4 OF 5

FORMAT: master-b-prod-A3
REVISION: 11
DATE: 2018/01/18

10	9	8	7	6	5	4	3	2	1		
										DIM"P"	DIM"Q"
CKT SIZE	ASSEMBLY PART NO.	HOUSING COLOUR	LATCH COLOUR	P&P OPTION	SIDE TAB	CENTRE TAB	TERMINAL	METAL TAB			
F	288	2128251502	BLACK	BLACK	NO	2.00	2.10	CONTACT AREA 0.76µM/30µIN MIN GOLD ON CONTACT 2.54µM/100µIN MIN NICKEL UNDERPLATE	1 MICROMETER (40 MICRORINCH) MIN TIN OVERALL (PRE-PLATED)	PS-78730-001	
		2128251503		OFF-WHITE							
		2128251504	OFF-WHITE	BLACK							
		2128251505		OFF-WHITE							
		2128251506	BLUE	BLACK							
		2128251507		OFF-WHITE							
		2128252502	BLACK	BLACK							YES (X=60mm, Y=28.97mm)
		2128252503		OFF-WHITE							
		2128252504	OFF-WHITE	BLACK							
		2128252505		OFF-WHITE							
2128252506	BLUE	BLACK									
2128252507		OFF-WHITE									
2128251652	BLACK	BLACK	NO								
2128251653		OFF-WHITE									
2128251654	OFF-WHITE	BLACK									
2128251655		OFF-WHITE									
2128251658	YELLOW	OFF-WHITE									
2128252652	BLACK	BLACK		YES (X=60mm, Y=28.97mm)							
2128252653		OFF-WHITE									
2128252654	OFF-WHITE	BLACK									
2128252655		OFF-WHITE									
(A5) 2128252656	BLUE	BLUE									
(A5) 2128252657	BLUE	OFF-WHITE									
2128252658	YELLOW	OFF-WHITE									
2128253652	BLACK	BLACK	YES (X=90mm, Y=19.54mm)								
2128253656	BLUE	BLUE									
2128253653	BLACK	OFF-WHITE									
2128253654	OFF-WHITE	BLACK									
2128253655		OFF-WHITE									
2128253657	BLUE	OFF-WHITE									
2128253658	YELLOW	OFF-WHITE									
2128253659	BLACK	YELLOW									
2128253660	BLUE	YELLOW									



THIS DESIGN IS BASED ON DESIGN OBJECTIVES AND IS STRICTLY TENTATIVE. IT MAY CHANGE BASED ON RESULTS OF ADDITIONAL DESIGN REVIEWS AND VERIFICATIONS.

THIS DRAWING CONTAINS INFORMATION THAT IS PROPRIETARY TO MOLEX ELECTRONIC TECHNOLOGIES, LLC AND SHOULD NOT BE USED WITHOUT WRITTEN PERMISSION									
DIMENSION UNITS		SCALE		CURRENT REV DESC:				molex	
mm		NTS						DDR4 DIMM, 0.85MM PITCH 288CKTS, VERT. SMT (TAB)	
GENERAL TOLERANCES (UNLESS SPECIFIED)				EC NO: 674190					
ANGULAR TOL ± 3.0°				DRWN: CCHEN103 2021/07/20					
4 PLACES ±				CHK'D: SHLENI 2021/08/31					
3 PLACES ±				APPR: SHLENI 2021/08/31					
2 PLACES ± 0.2				INITIAL REVISION:				PRODUCT CUSTOMER DRAWING	
1 PLACE ±				DRWN: SKANG 2019/04/10				DOCUMENT NUMBER	
0 PLACES ±				APPR: SHLENI 2019/04/24				2128250001	
DRAFT WHERE APPLICABLE MUST REMAIN WITHIN DIMENSIONS		THIRD ANGLE PROJECTION		DRAWING		SERIES		MATERIAL NUMBER	
				A3-SIZE		212825		SEE TABLE	
				GENERAL MARKET		CUSTOMER		SHEET NUMBER	
								5 OF 5	

DOCUMENT STATUS	P1	RELEASE DATE	2021/08/31	08:39:37
-----------------	----	--------------	------------	----------