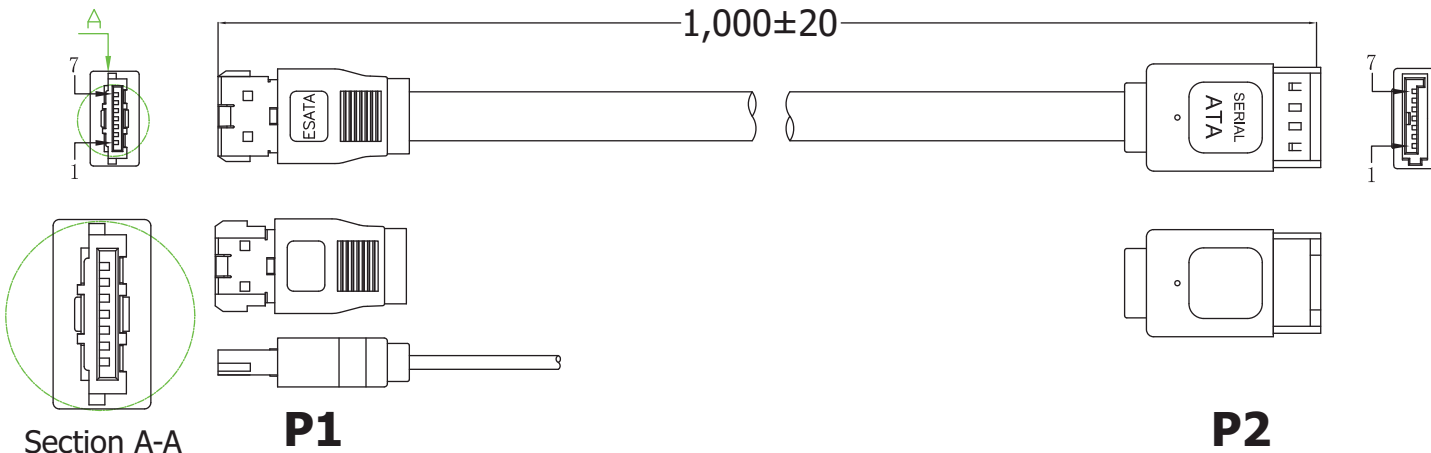
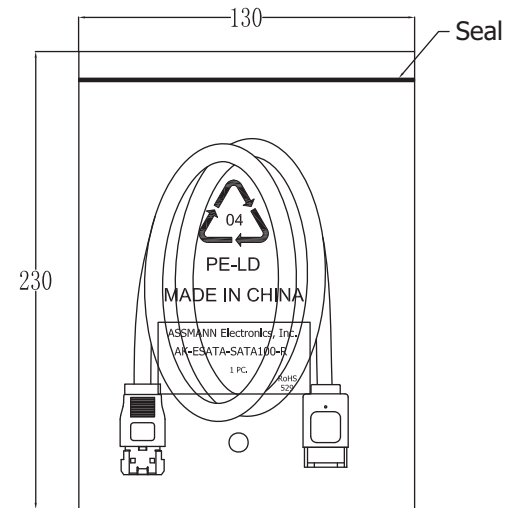


Pin Assignment

P1		P2
1	GND	1
2		2
3		3
4	GND	4
5		5
6		6
7	GND	7
SHELL		BRAID
SHELL		SHELL



Section A-A  
Scale 2:1



**Material:**

- Cable: UL2725 [26AWG(1/0.404)\*2F INS:HD-PE+D/W(1/0.32)\*2C+AL/MY]\*2F
  - Inner Jacket PVC Black
  - OD 2.1\*7.3MM +Braid(16/10/0.1)+PVC Jacket Color: Black OD 4.0\*9.0MM
- P1 Connector: eSATA 7P/F Crimp Type
  - Top/Bottom metal shell plate nickel
  - Pin G/F
  - Insulator Black
- P2 Connector: SATA 7P/F Crimp Type
  - Top/Bottom metal shell plate nickel
  - Pin G/F
  - Insulator Black
- Tube: Heat shrink tube Black OD 12MM L 10MM
- Acetate: Acetate cloth tape W 10MM \* L 40MM
- Copper Foil: Double-Sided conductive copper foil 20μ" W 10MM\*L 30MM
- Outer Jacket: PVC 45P Color Black

**Electrical:**

- 100% Open Short & Miswire test
- Conductive resistance: 1Ω Max.
- Insulation Resistance: 10MΩ/Min.
- Hi-Pat Test 300V DC

Unit: MM

Scale	1:1					Name	Item No. <b>AK-ESATA-SATA100-R</b>	
TOLERANCE					Drawn	12.29.11		Title External SATA (eSATA) <=> SATA Cable - 7P/F <=> 7P/F, 1 M
X.X	±0.40				Approved			
X.XX	±0.25						Drawing No.	
X.XXX	±0.15						rev00	
Angle	±3°							
Modification				Date	Name	Replace		

