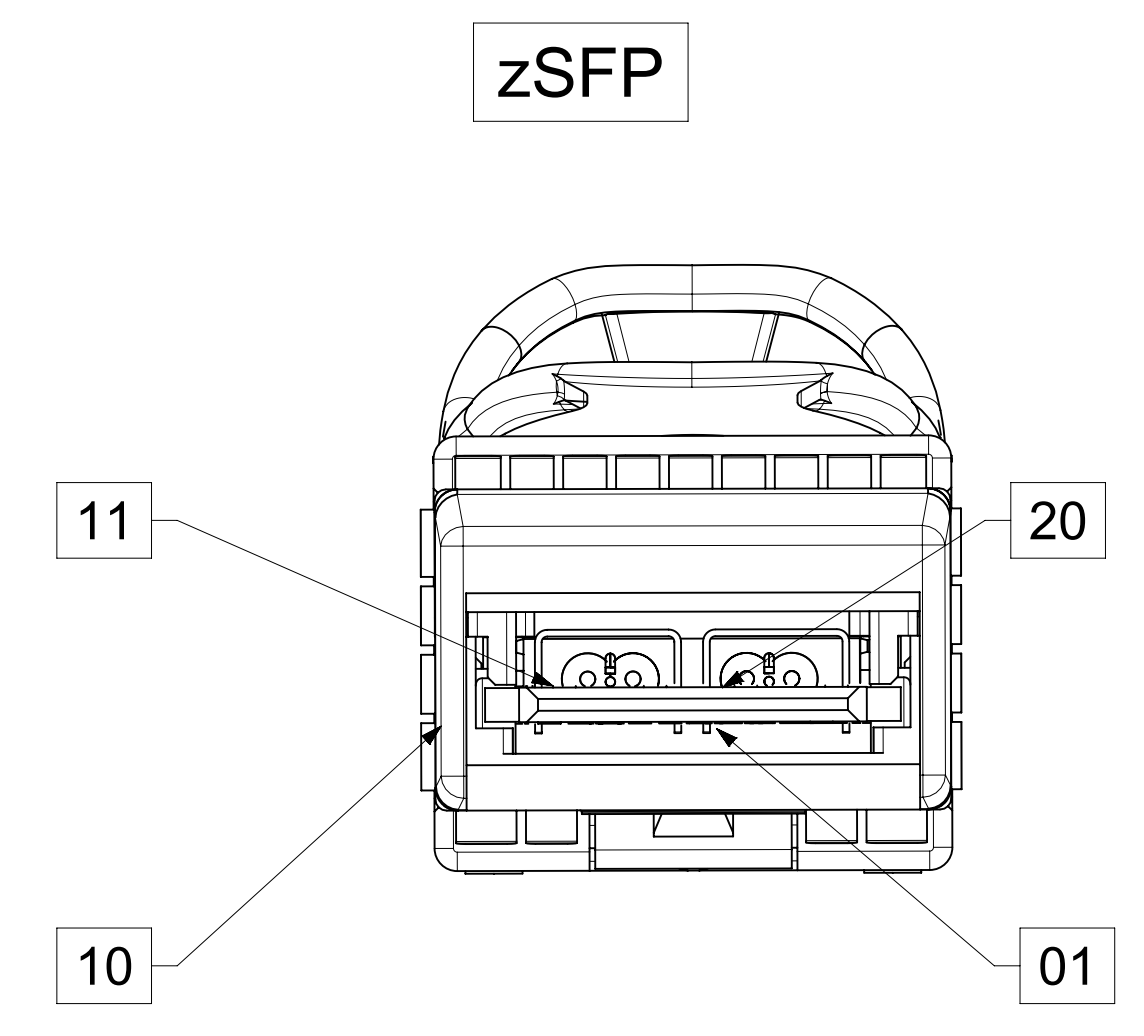
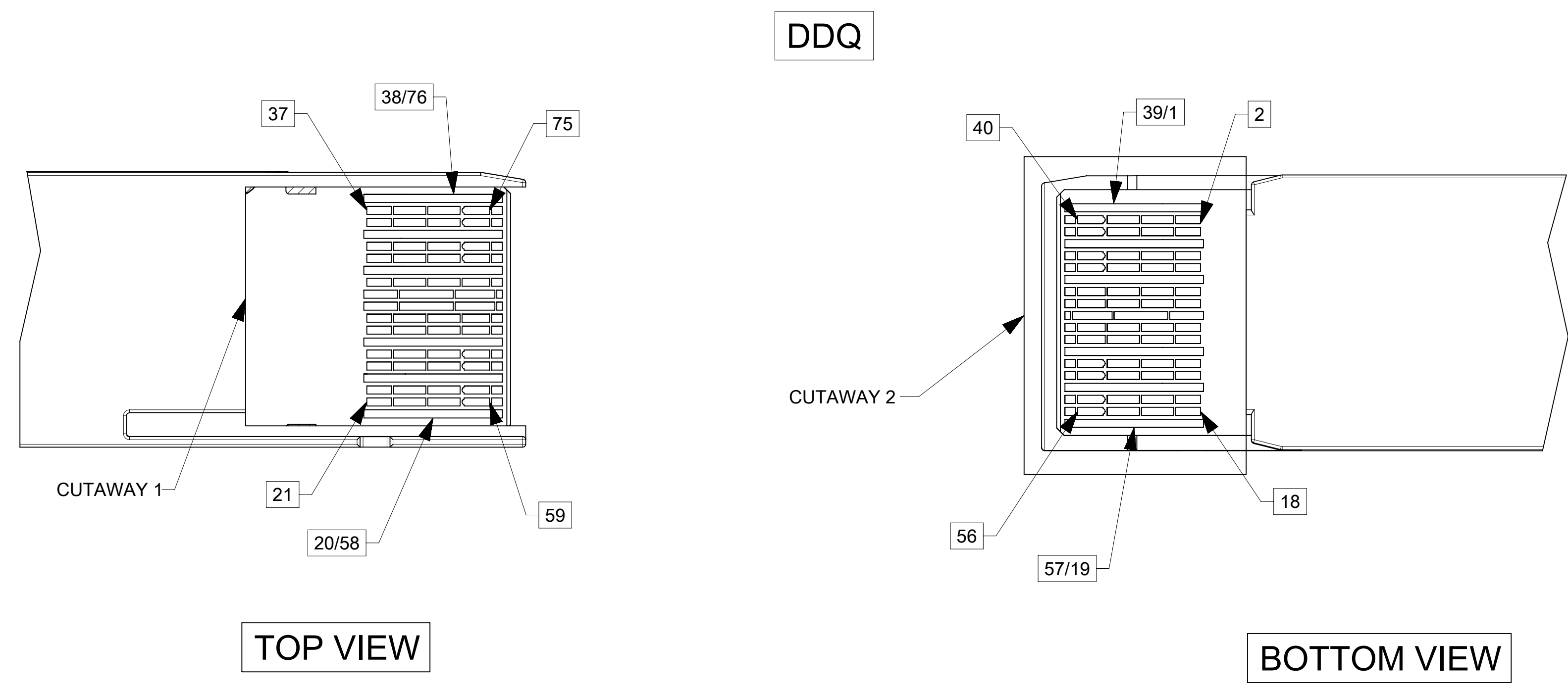


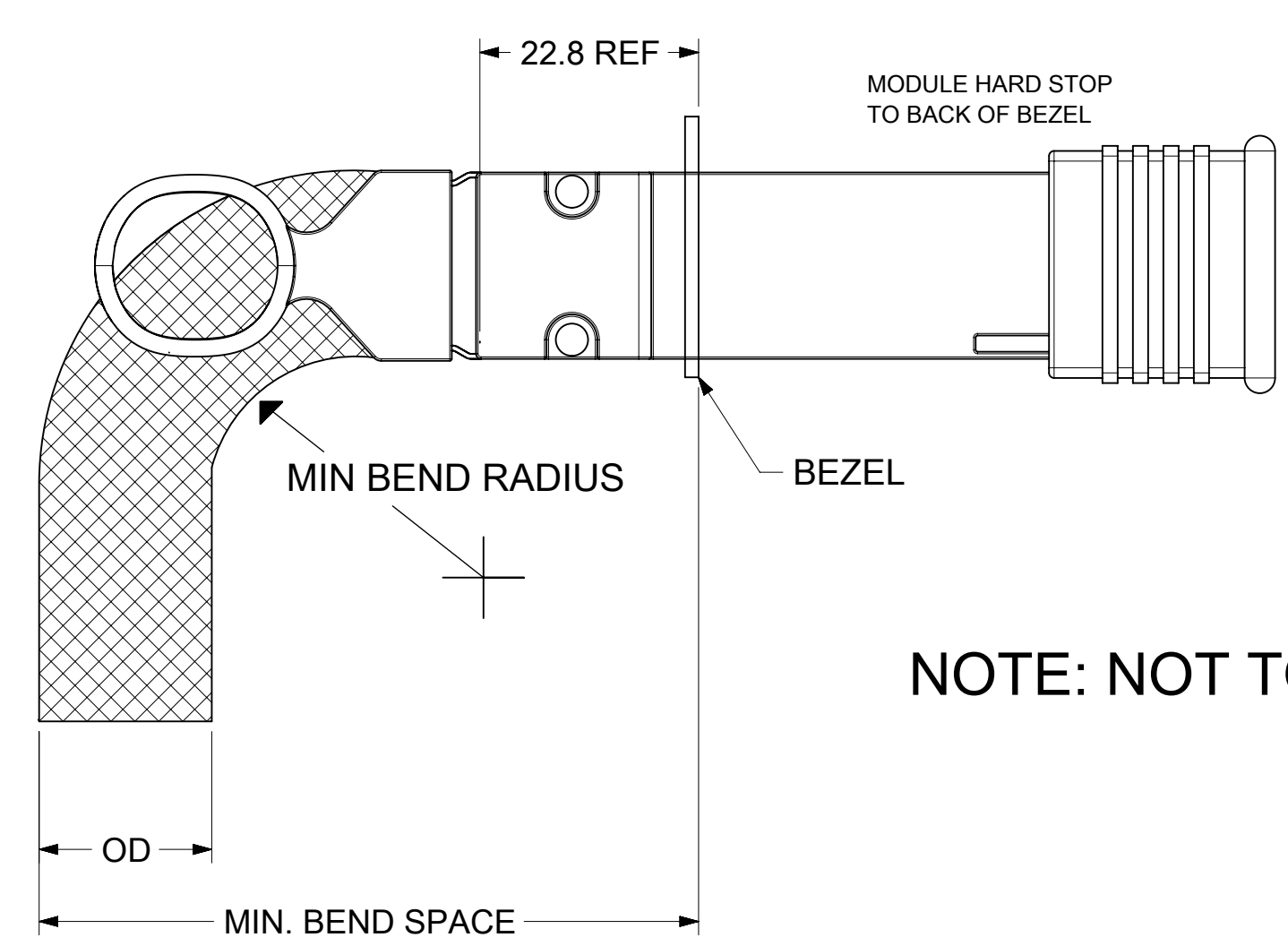
MOLEX P/N	LENGTH (M)	TOL. (MM)	AWG
2058561005	0.5	+/- 50	30
2058561010	1.0	+/- 50	30
2058561015	1.5	+/- 80	30
2058563005	0.5	+/- 50	28
2058563010	1.0	+/- 50	28
2058563015	1.5	+/- 80	28
2058563020	2.0	+/- 80	28
2058563025	2.5	+/- 80	28
2058563030	3.0	+/- 80	26

- NOTES:**
- MATERIALS**
 BACKSHELLS - NICKEL PLATED ZINC
 ZSFP END DE-LATCH - PLASTIC
 DDQ END DE-LATCH - STAINLESS STEEL WITH OVERMOLDED NYLON
 RIVETS - STAINLESS STEEL
 - EACH ASSEMBLY HAS A SERIAL ID
 - RoHS COMPLIANT, NO EXEMPTIONS.
 - CABLE LENGTH DEPENDS ON WIRE GAUGE, DATA RATE, AND HOST BOARD DRIVER CAPABILITIES
 - IMPEDANCE - 100 OHMS DIFFERENTIAL
 - CABLE IS UL RECOGNIZED PER UL AWM STYLE 21479
 - EEPROM MAP AVAILABLE UPON REQUEST

FUNCTIONAL SYMBOLS FA = 0 FC = 0 FP = 0 DIVISIONAL SYMBOLS	THIS DRAWING CONTAINS INFORMATION THAT IS PROPRIETARY TO MOLEX ELECTRONIC TECHNOLOGIES, LLC AND SHOULD NOT BE USED WITHOUT WRITTEN PERMISSION		SCALE 1:1.25		CURRENT REV DESC: SHT 2: UPDATED DDQ SIDE BEND RADIUS AND BEND SPACE VALUES								
	GENERAL TOLERANCES (UNLESS SPECIFIED)												EC NO: 690921
	ANGULAR TOL ± °		4 PLACES ±		DRWN: SKAMATHN 2022/01/05		2022/01/05		PRODUCT CUSTOMER DRAWING				
	3 PLACES ±		3 PLACES ±		CHK'D: ADITHK 2022/01/06		2022/01/06						
2 PLACES ±		2 PLACES ±		APPR: SCHANNARAYAN 2022/01/07		2022/01/07		DOCUMENT NUMBER 2058561005					
1 PLACE ±		1 PLACE ±		INITIAL REVISION: DRWN: ZDANDURAND 2017/10/25		2017/10/25						DOC TYPE PSD	
0 PLACES ±		0 PLACES ±		APPR: ADTUCKER 2017/10/27		2017/10/27		MATERIAL NUMBER		CUSTOMER		SHEET NUMBER	
DRAFT WHERE APPLICABLE MUST REMAIN WITHIN DIMENSIONS		THIRD ANGLE PROJECTION		DRAWING D-SIZE		SERIES 205856		MATERIAL NUMBER SEE P/N TABLE		CUSTOMER GENERAL MARKET		SHEET NUMBER 1 OF 4	

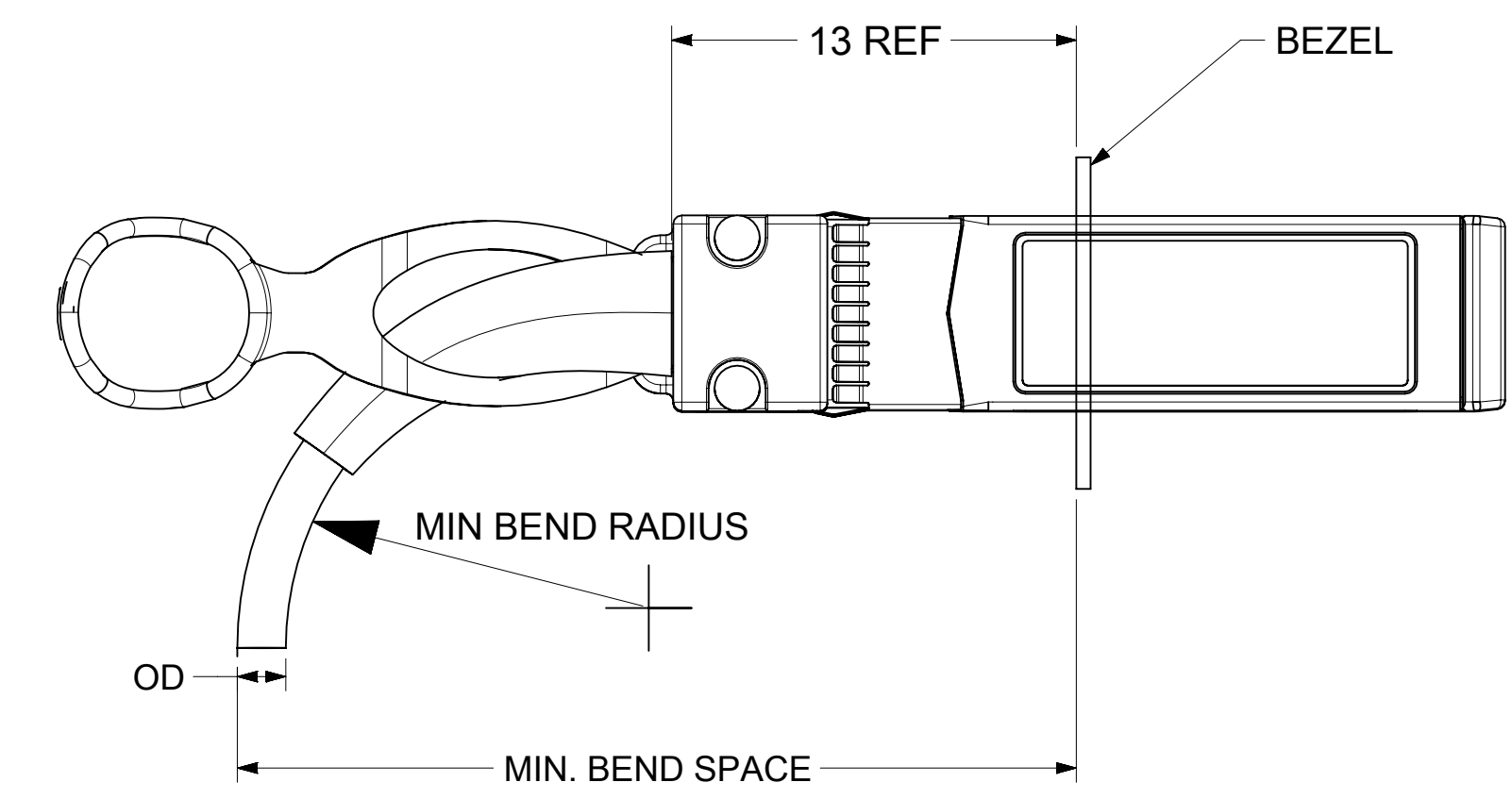


DDQ CABLE BEND RADIUS



CABLE AWG	OD (mm)	MIN BEND RADIUS (mm)	MIN BEND SPACE (mm)
26	(13)	(65)	(101)
28	(11)	(55)	(89)
30	(9.4)	(45)	(77)

SFP28 CABLE BEND RADIUS



AWG	O.D. (mm)	MIN BEND RADIUS (mm)	MIN BEND SPACE (mm)
26	5.1	(26)	(44)
28	5.2	(26)	(45)
30	4.83	(24)	(42)

FUNCTIONAL SYMBOLS: FA = 0, FC = 0, FP = 0

DIMENSION UNITS: mm

SCALE: 2:1

THIS DRAWING CONTAINS INFORMATION THAT IS PROPRIETARY TO MOLEX ELECTRONIC TECHNOLOGIES, LLC AND SHOULD NOT BE USED WITHOUT WRITTEN PERMISSION

GENERAL TOLERANCES (UNLESS SPECIFIED): 4 PLACES ±, 3 PLACES ±, 2 PLACES ±, 1 PLACE ±, 0 PLACES ±

ANGULAR TOL: ± °

DRAFT WHERE APPLICABLE MUST REMAIN WITHIN DIMENSIONS

THIRD ANGLE PROJECTION

DRAWING: D-SIZE

SERIES: 205856

CURRENT REV DESC: SHT 2: UPDATED DDQ SIDE BEND RADIUS AND BEND SPACE VALUES

EC NO: 690921

DRWN: SKAMATHN 2022/01/05

CHK'D: ADITHK 2022/01/06

APPR: SCHANNARAYAN 2022/01/07

INITIAL REVISION: DRWN: ZDANDURAND 2017/10/25

APPR: ADTUCKER 2017/10/27

molex

QSFP-DD-8ZSFP 56G CABLE ASSEMBLY

PRODUCT CUSTOMER DRAWING

DOCUMENT NUMBER: 2058561005

DOC TYPE: PSD

DOC PART: 000

REVISION: L4

MATERIAL NUMBER: SEE P/N TABLE

CUSTOMER: GENERAL MARKET

SHEET NUMBER: 2 OF 4

WIRING DIAGRAM						
PORT	DDQ END			zSFP END		PORT
	Pad	Signal		Pad	Signal	
1	35	GND	----		GND	2
	36	TX1p	--->	13	RD+	
	37	TX1n	--->	12	RD-	
	16	GND	----		GND	
	17	RX1p	<---	18	TD+	
	18	RX1n	<---	19	TD-	
	3	1	GND	----		GND
		2	TX2n	--->	12	RD-
		3	TX2p	--->	13	RD+
		20	GND	----		GND
		21	RX2n	<---	19	TD-
	22	RX2p	<---	18	TD+	
	4	32	GND	----		GND
		33	TX3p	--->	13	RD+
		34	TX3n	--->	12	RD-
		13	GND	----		GND
		14	RX3p	<---	18	TD+
	15	RX3n	<---	19	TD-	
	5	4	GND	----		GND
		5	TX4n	--->	12	RD-
6		TX4p	--->	13	RD+	
23		GND	----		GND	
24		RX4n	<---	19	TD-	
25	RX4p	<---	18	TD+		
7	GND	----		GND		
19	GND	----		GND		
26	GND	----		GND		
38	GND	----		GND		

WIRING DIAGRAM						
PORT	DDQ END			zSFP END		PORT
	Pad	Signal		Pad	Signal	
1	73	GND	----		GND	6
	74	TX5p	--->	13	RD+	
	75	TX5n	--->	12	RD-	
	54	GND	----		GND	
	55	RX5p	<---	18	TD+	
	56	RX5n	<---	19	TD-	
	7	39	GND	----		GND
		40	TX6n	--->	12	RD-
		41	TX6p	--->	13	RD+
		58	GND	----		GND
		59	RX6n	<---	19	TD-
	60	RX6p	<---	18	TD+	
	8	70	GND	----		GND
		71	TX7p	--->	13	RD+
		72	TX7n	--->	12	RD-
		51	GND	----		GND
		52	RX7p	<---	18	TD+
	53	RX7n	<---	19	TD-	
	9	42	GND	----		GND
		43	TX8n	--->	12	RD-
44		TX8p	--->	13	RD+	
61		GND	----		GND	
62		RX8n	<---	19	TD-	
63	RX8p	<---	18	TD+		
45	GND	----		GND		
57	GND	----		GND		
64	GND	----		GND		
76	GND	----		GND		

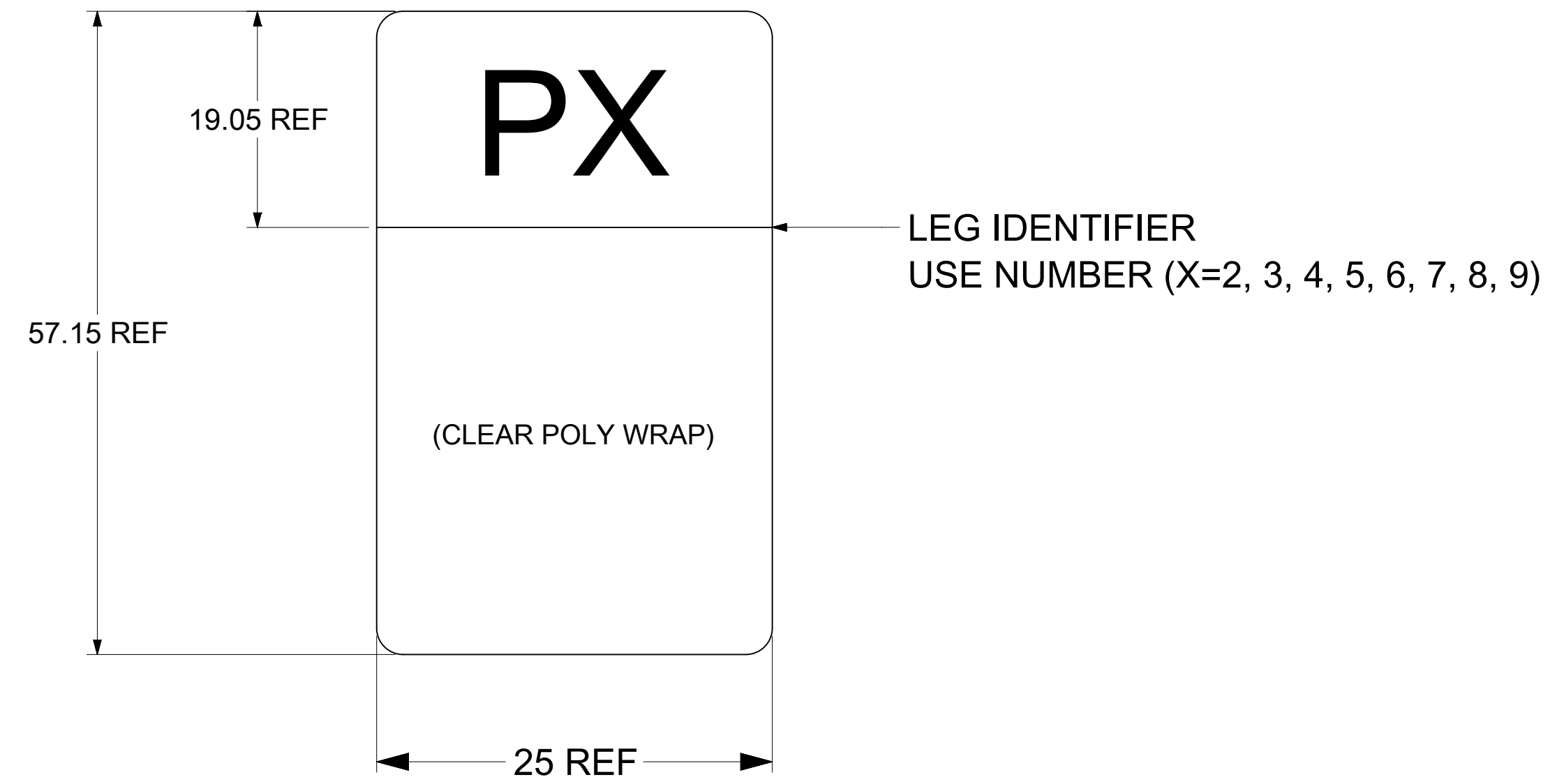
LEGEND:

---- = DRAIN LINES

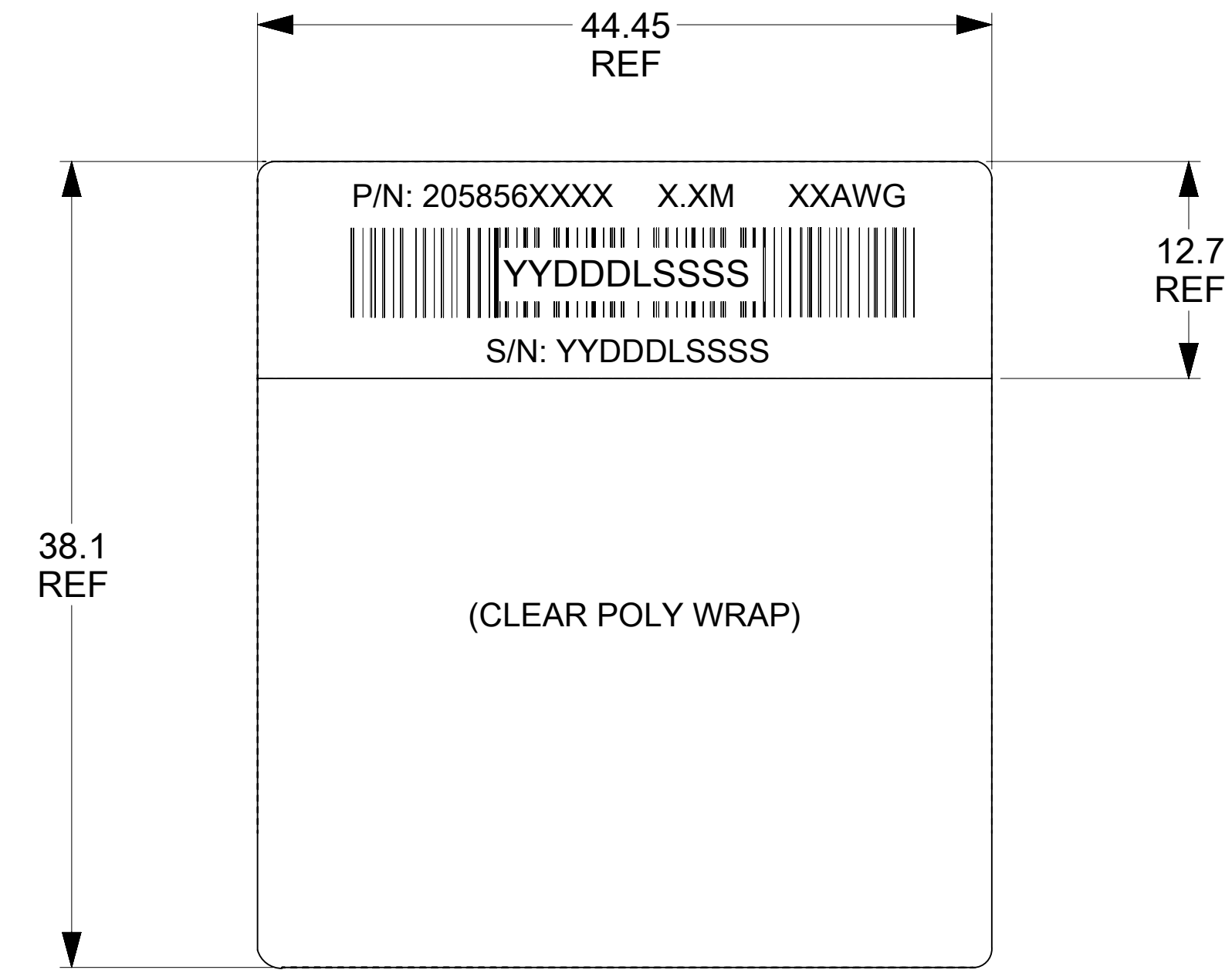
---> = TRANSMIT TO RECEIVE ON HIGH SPEED CIRCUITS

FUNCTIONAL SYMBOLS FA = 0 FC = 0 FP = 0 DIVISIONAL SYMBOLS	THIS DRAWING CONTAINS INFORMATION THAT IS PROPRIETARY TO MOLEX ELECTRONIC TECHNOLOGIES, LLC AND SHOULD NOT BE USED WITHOUT WRITTEN PERMISSION		CURRENT REV DESC: SHT 2: UPDATED DDQ SIDE BEND RADIUS AND BEND SPACE VALUES					
	DIMENSION UNITS mm	SCALE 1:1	GENERAL TOLERANCES (UNLESS SPECIFIED)					
	ANGULAR TOL ± °		EC NO: 690921 DRWN: SKAMATHN 2022/01/05 CHK'D: ADITHK 2022/01/06 APPR: SCHANNARAYAN 2022/01/07					
	4 PLACES ± 3 PLACES ± 2 PLACES ± 1 PLACE ± 0 PLACES ±		INITIAL REVISION: DRWN: ZDANDURAND 2017/10/25 APPR: ADTUCKER 2017/10/27					
DRAFT WHERE APPLICABLE MUST REMAIN WITHIN DIMENSIONS		THIRD ANGLE PROJECTION 	DRAWING D-SIZE	SERIES 205856	DOCUMENT NUMBER 2058561005	DOC TYPE PSD	DOC PART 000	REVISION L4
PRODUCT CUSTOMER DRAWING		MATERIAL NUMBER 2058561005		CUSTOMER GENERAL MARKET		SHEET NUMBER 3 OF 4		

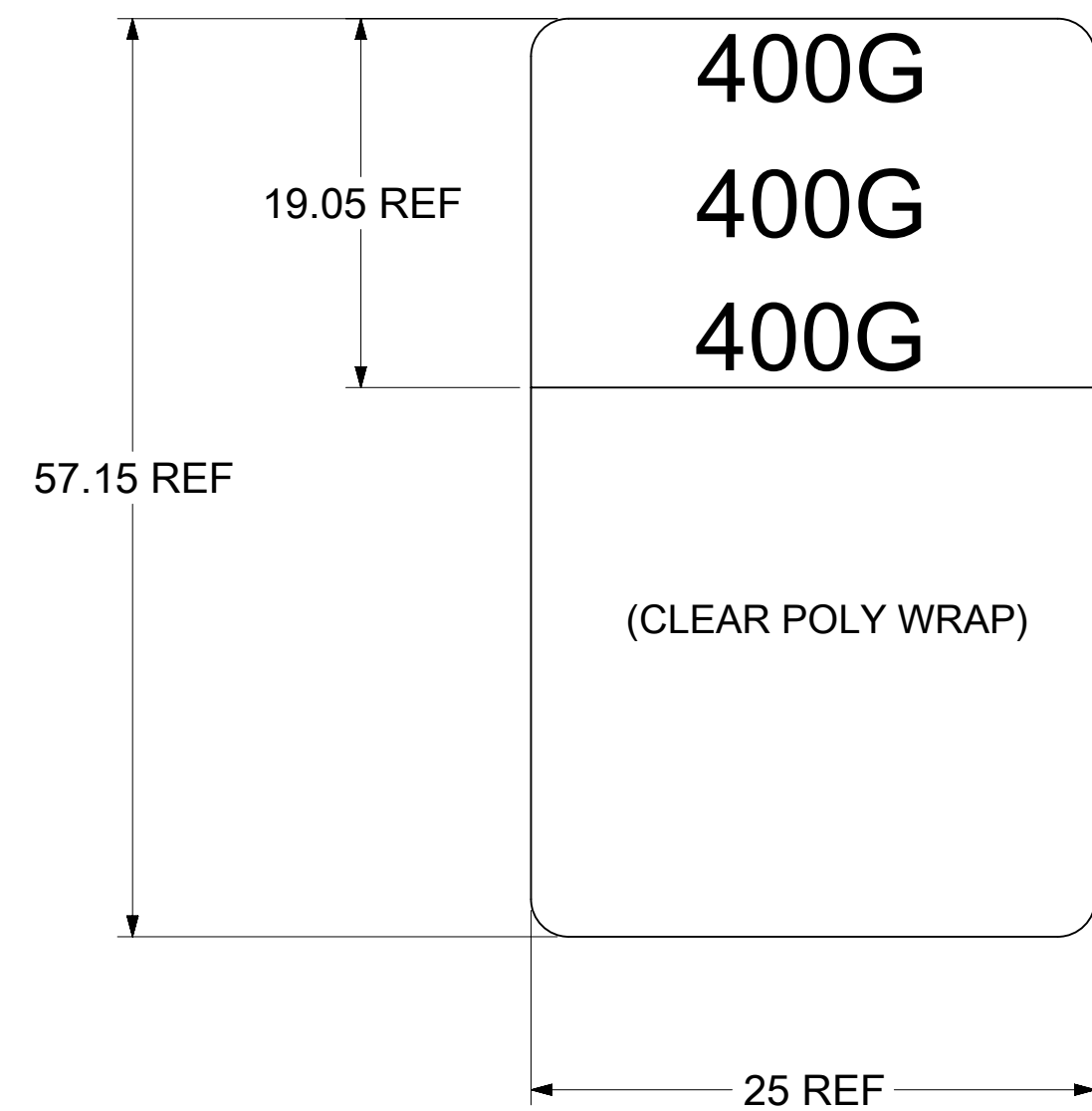
LEG ID LABEL



LABEL DETAILS



SPEED LABEL



P/N: 205856XXXX - MOLEX PART NUMBER (SEE P/N TABLE)

- X.XM - CABLE LENGTH IN METERS (EXAMPLES - 0.5M, 1.0M)
- XXAWG - CABLE SIZE IN AWG (SEE P/N TABLE)
- S/N: YYDDDLSSSS - SERIAL NUMBER
- YY - YEAR, THE LAST 2 DIGITS OF YEAR
- DDD - DAY OF THE YEAR
- L - LOCATION
- 1 - USA
- 2 - MEXICO
- 3 - CHINA
- 4 - PHILIPPINES
- SSSS - SERIAL NUMBER (0001-9999)

FUNCTIONAL SYMBOLS $F_A = 0$ $F_C = 0$ $F_P = 0$	THIS DRAWING CONTAINS INFORMATION THAT IS PROPRIETARY TO MOLEX ELECTRONIC TECHNOLOGIES, LLC AND SHOULD NOT BE USED WITHOUT WRITTEN PERMISSION		CURRENT REV DESC: SHT 2: UPDATED DDQ SIDE BEND RADIUS AND BEND SPACE VALUES						
	DIMENSION UNITS mm	SCALE 1:1	GENERAL TOLERANCES (UNLESS SPECIFIED)						
	ANGULAR TOL \pm °		EC NO: 690921						
	DIVISIONAL SYMBOLS 4 PLACES \pm 3 PLACES \pm 2 PLACES \pm 1 PLACE \pm 0 PLACES \pm		DRWN: SKAMATHN 2022/01/05 CHK'D: ADITHK 2022/01/06 APPR: SCHANNARAYAN 2022/01/07						
DRAFT WHERE APPLICABLE MUST REMAIN WITHIN DIMENSIONS		THIRD ANGLE PROJECTION	DRAWING D-SIZE	SERIES 205856	INITIAL REVISION: DRWN: ZDANDURAND 2017/10/25 APPR: ADTUCKER 2017/10/27	DOCUMENT NUMBER 2058561005	DOC TYPE PSD	DOC PART 000	REVISION L4
PRODUCT CUSTOMER DRAWING		MATERIAL NUMBER SEE P/N TABLE	CUSTOMER GENERAL MARKET	SHEET NUMBER 4 OF 4					