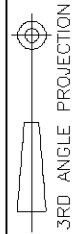


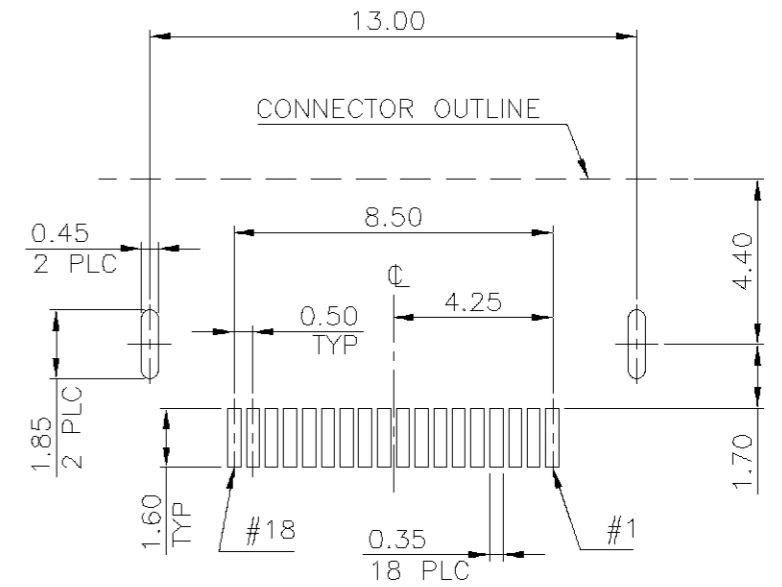
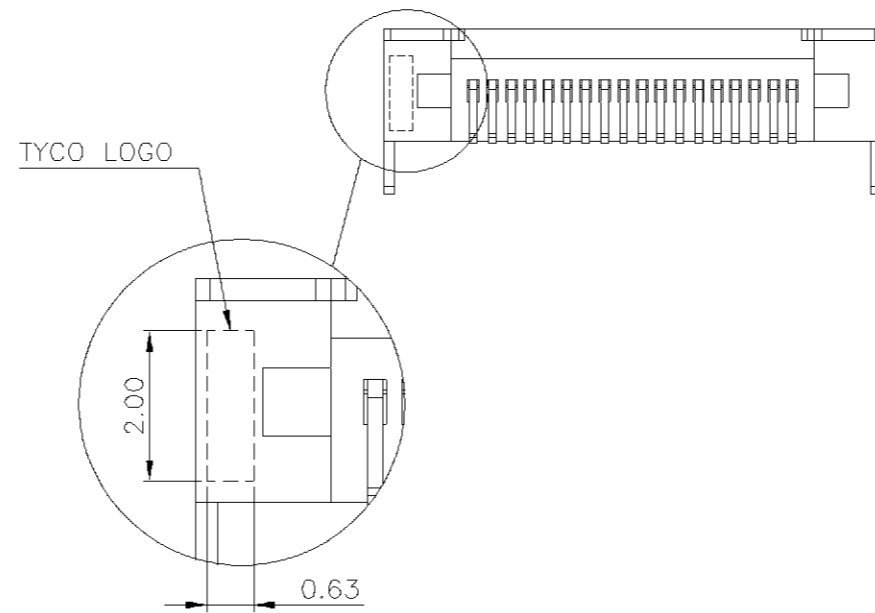
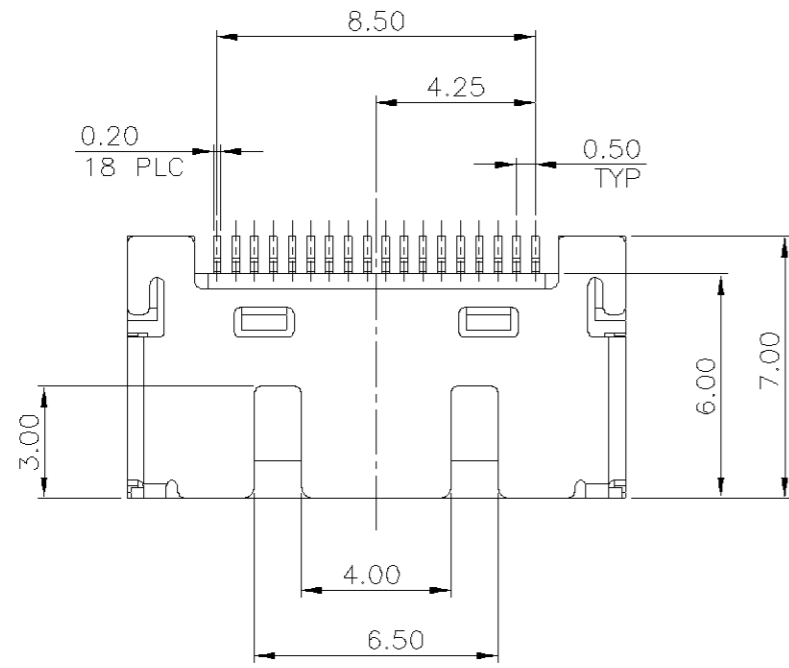
NUMBER  
C-1470284



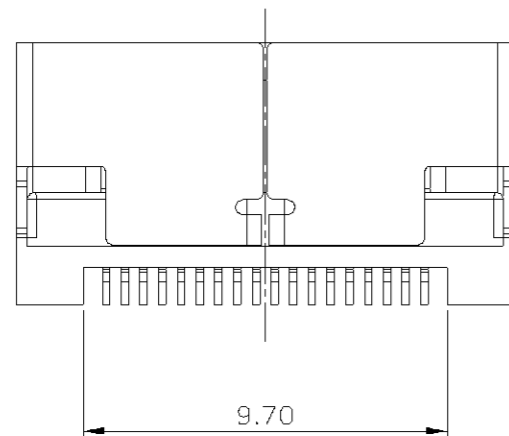
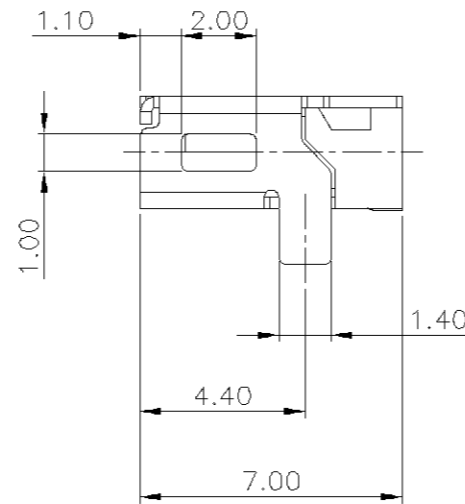
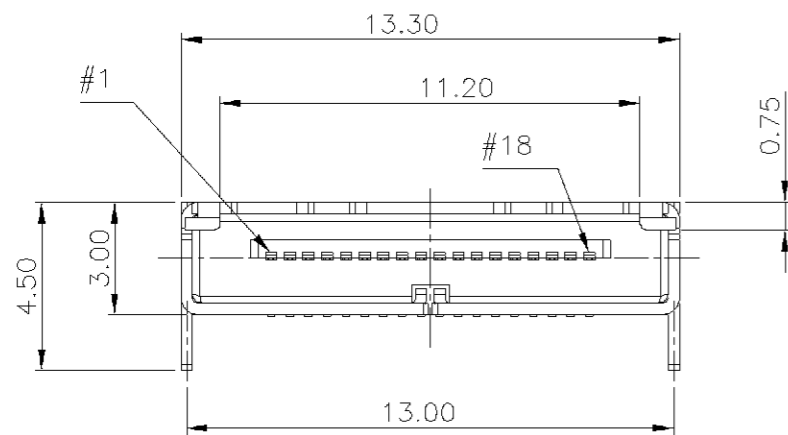
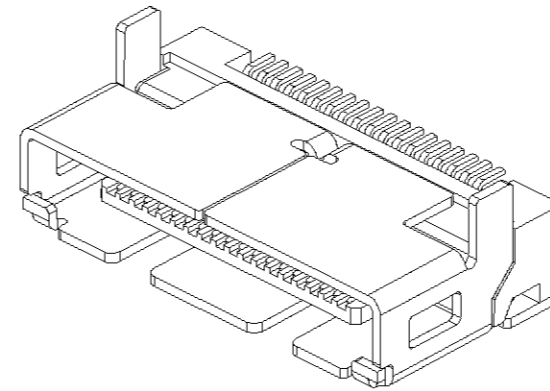
METRIC

THIS INFORMATION IS CONFIDENTIAL AND IS DISCLOSED TO YOU ON CONDITION THAT NO FURTHER DISCLOSURE IS MADE BY YOU TO OTHER THAN AMP PERSONNEL WITHOUT WRITTEN AUTHORIZATION FROM AMP (TAIWAN) LTD. DIMENSIONS IN MILLIMETERS. DO NOT SCALE PRINT.

PRINT  
DW



RECOMMENDED P.C. BOARD LAYOUT  
(TOLERANCE: ±0.05mm)



NOTE:

- MATERIAL:  
HOUSING: HIGH TEMP. THERMOPLASTIC UL94V-0, COLOR: BLACK.  
CONTACTS: PHOSPHOR BRONZE.  
SHELL: STAINLESS STEEL.
- FINISH:  
CONTACTS: 1μ" MIN. GOLD PLATED IN CONTACT AREA,  
80μ" MIN. TIN-LEAD ON SOLDER TAILS,  
50μ" MIN. NICKEL UNDERPLATED ALL OVER.

1470284-1

PART NUMBER

TOLERANCES UNLESS OTHERWISE SPECIFIED: 0 PLC ±0.5 1 PLC ±0.3 2 PLC ±0.2 3 PLC ±- ANGLES ±5'		DWN A. WU 02-MAR-2004	TYCO HOLDINGS (BERMUDA) VII LTD. TAIWAN BRANCH	
MATERIAL SEE NOTE		CHK S. HOU 02-MAR-2004	NAME	
FINISH SEE NOTE		APVD T. KE 02-MAR-2004	IO CONNECTOR, 0.5 MM PITCH, 18 POSITION, PLUG	
		PRODUCT SPEC 108-57455	LOC DW	SIZE A <sub>3</sub>
		QUALIFICATION TEST REPORT 501-57526	DRAWING NO C-1470284	REV O
		WEIGHT	SCALE --	SHEET 1 OF 2

O	FIRST RELEASED	FZ00-0021-04	AW SH	25FEB 2004
LTR	REVISION RECORD	ECN	DWN CHK	DATE

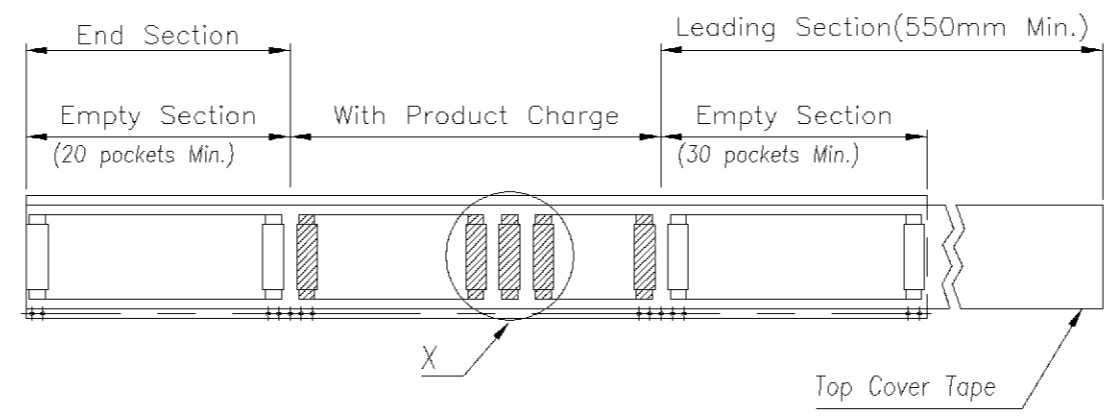
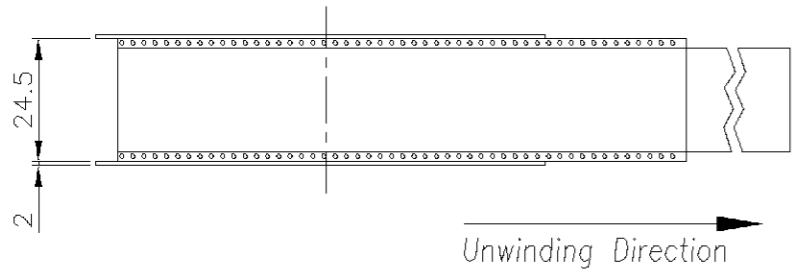
NUMBER  
C-1470284

METRIC  
3RD ANGLE PROJECTION

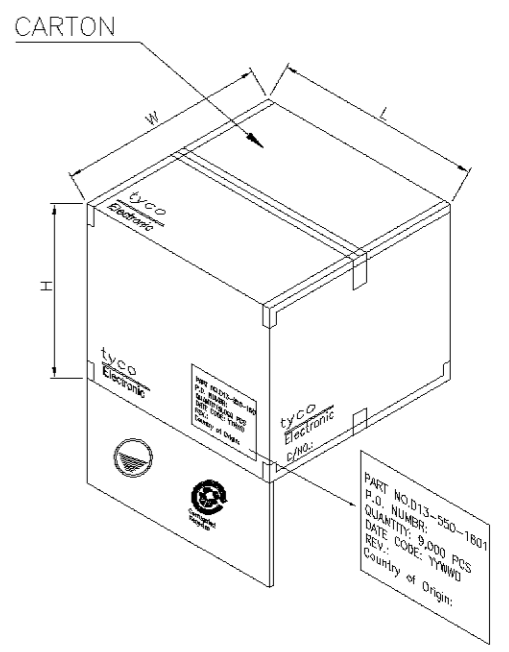
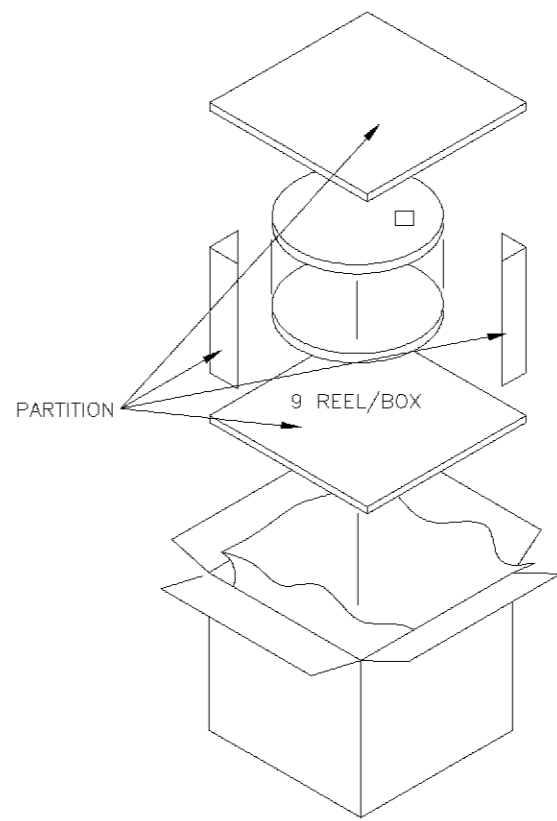
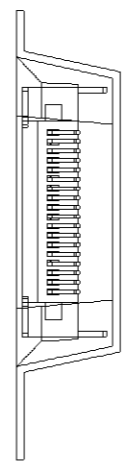
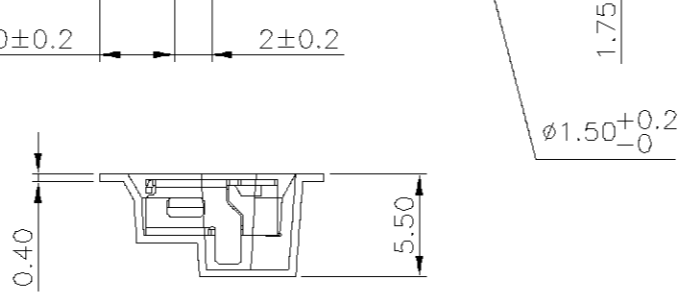
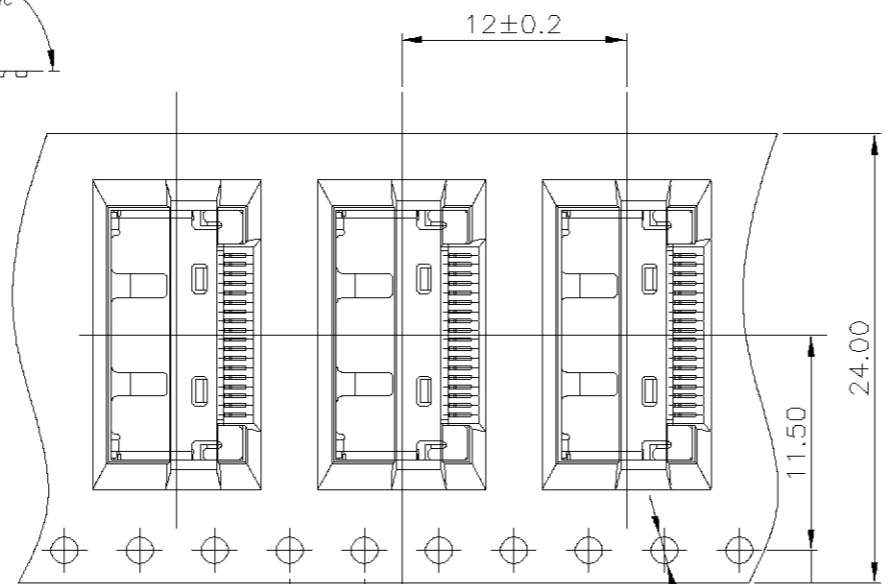
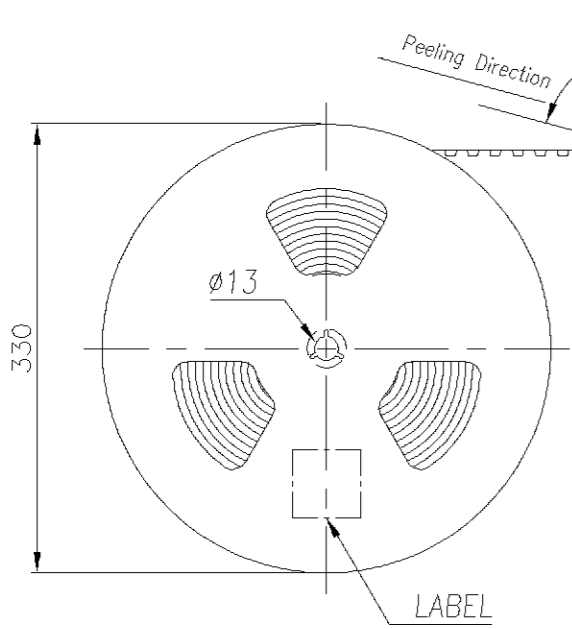
METRIC

THIS INFORMATION IS CONFIDENTIAL AND IS DISCLOSED TO YOU ON CONDITION THAT NO FURTHER DISCLOSURE IS MADE BY YOU TO OTHER THAN AMP PERSONNEL WITHOUT WRITTEN AUTHORIZATION FROM AMP (TAIWAN) LTD. DIMENSIONS IN MILLIMETERS. DO NOT SCALE PRINT.

PRINT  
DW



- NOTE:
- MATERIAL:  
REEL: PS.  
CARRIER: PS.  
COVER TAPE: PET.
  - DIMENSION:  
SHIPPING CARTON: L=350, W=350, H=500  
REEL: DIA.=330, w=28.5
  - QUANTITY:  
1000PCS/REEL  
9 REELS/SHIPPING CARTON
  - PEELING RESISTANCE: 20g TO 130g.



TOLERANCES UNLESS OTHERWISE SPECIFIED: 0 PLC ±0.3 1 PLC ±0.25 2 PLC ±0.15 3 PLC ±- ANGLES ±-		DWN A. WU 02-MAR-2004	<b>tyco</b> TYCO HOLDINGS (BERMUDA) <b>Electronics</b> VII LTD. TAIWAN BRANCH	
MATERIAL -		CHK S. HOU 02-MAR-2004	NAME IO CONNECTOR, 0.5 MM PITCH, 18 POSITION, PLUG	
FINISH -		APVD T. KE 02-MAR-2004	LOC DW	REV O
-		PRODUCT SPEC -	SIZE A <sub>3</sub>	DRAWING NO C-1470284
-		APPLICATION SPEC -	SCALE --	SHEET 2 OF 2
-		WEIGHT -		

SEE SHEET 1.	ECN	DWN	CHK	DATE
LTR	REVISION RECORD			