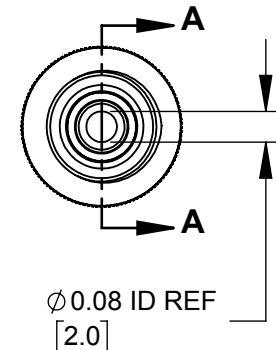
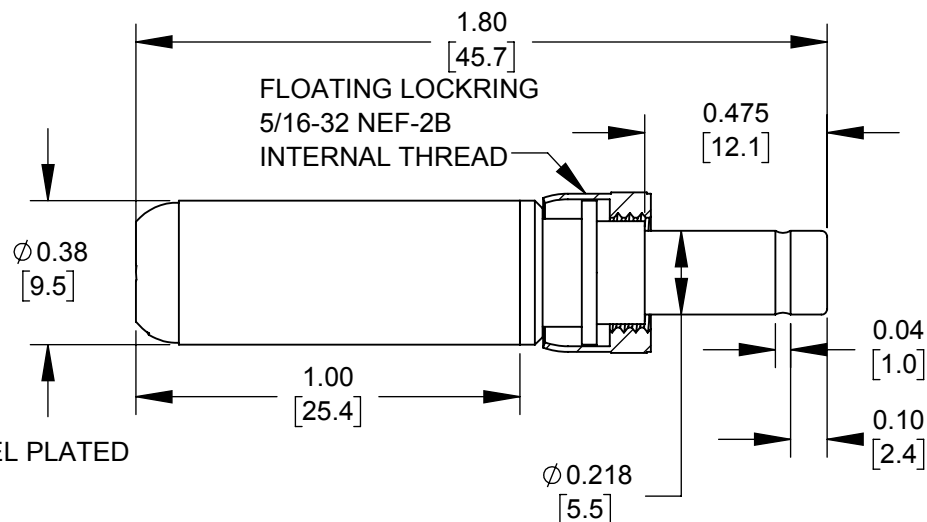
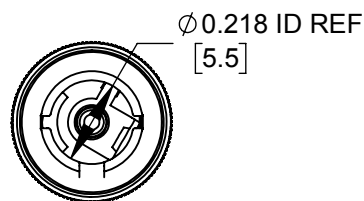


PART NUMBER	HANDLE COLOR
S761KZ	BLACK
S766KZ	RED



NOTES:  
 1. MATERIALS  
 CONDUCTORS & LOCKRING - BRASS, NICKEL PLATED  
 TERMINALS - BRASS, TIN PLATED  
 INSULATORS & HANDLE - THERMOPLASTIC

2. THIS PRODUCT IS RoHS COMPLIANT

**CUSTOMER DRAWING**

THIS DRAWING DESCRIBES A DESIGN CONSIDERED PROPRIETARY IN NATURE, DEVELOPED AND MANUFACTURED BY SWITCHCRAFT INC. AND IS RELEASED ON A CONFIDENTIAL BASIS FOR IDENTIFICATION PURPOSES ONLY.

UNLESS OTHERWISE SPECIFIED

- 1. ALL DIMENSIONS IN INCHES [mm]
- TWO PLACE DECIMALS ±0.02 [0.5]
- THREE PLACE DECIMALS ±0.005 [0.13]

SIZE *	WIDTH *	MULT *	LBS/M *	TEMPER *
FINISH *			MATERIAL *	
SPEC No. *			SPEC No. *	
FIRST USED ON *		SCALE 2:1		
DATE DRAWN	BY	CHKD	APVD	
10/24/19	AM	*	*	
NAME			PART No.	REV
Ø 0.08 [2.0]mm X 0.475 LONG IMPROVED PWR PLUG W/LOCKRING, RoHS			S761KZ-S766KZ	0A

**Switchcraft®**

SHEET 1 OF 1

DO NOT SCALE DRAWING

SolidWorks CAD File



REV	ECO NUMBER	DATE	BY	APVD
0A	FIRST DRAWN	10/24/19	AM	*
REVISIONS				