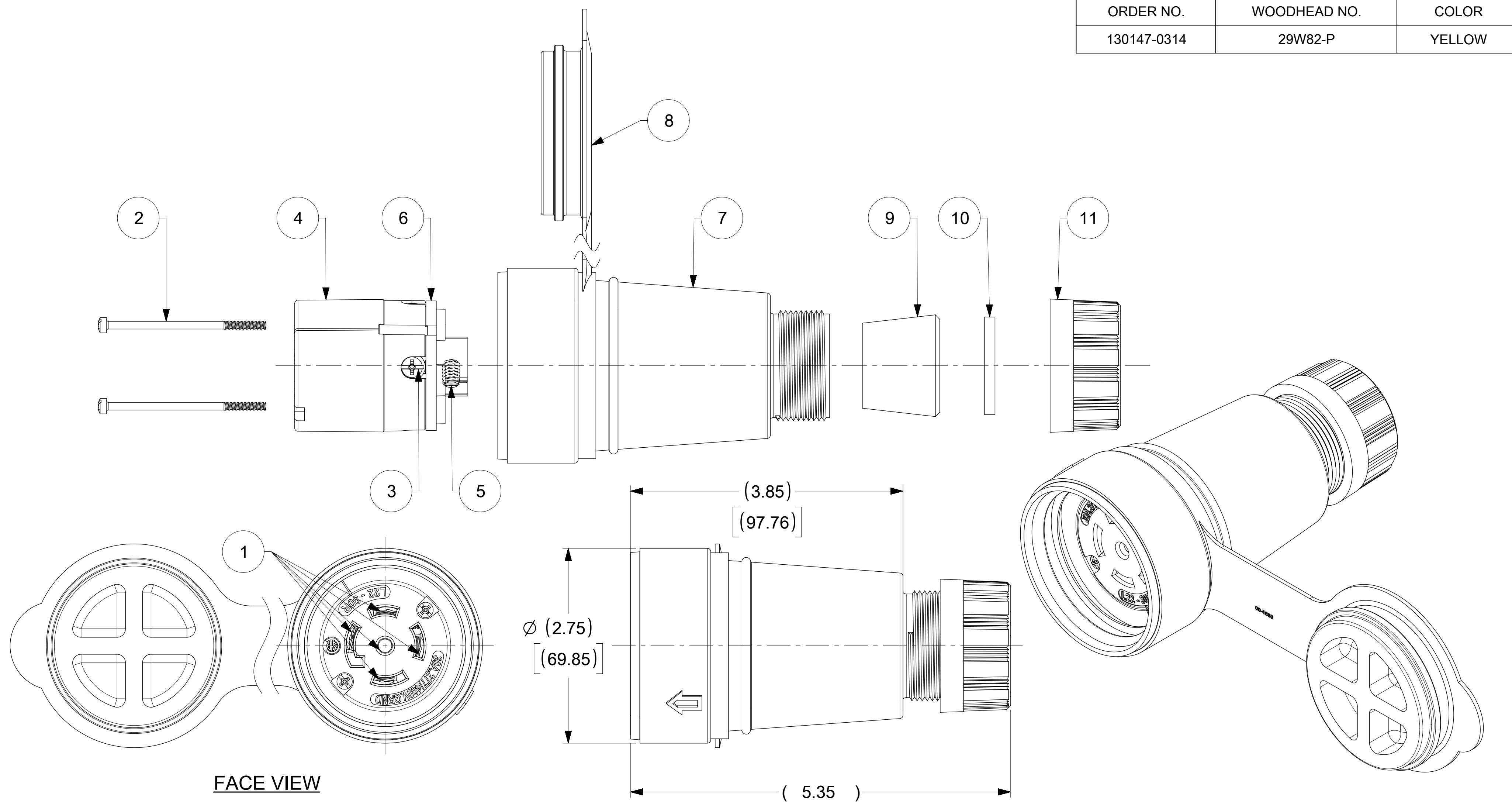


ORDER NO.	WOODHEAD NO.	COLOR
130147-0314	29W82-P	YELLOW



ITEM NO.	DESCRIPTIONS	MATERIAL	QTY.
1	BLADE	BRASS, NICKEL PLATED	5
2	RETAINING SCREWS	STAINLESS STEEL	2
3	CLAMP AND TERMINAL SCREW ASSY	BRASS, ZINC PLATED	4
4	INSERT	NYLON	1
5	SET SCREW	STAINLESSSTEEL	1
6	TERMINAL COVER	POLYCARBONATE	1
7	HOUSING	SILICON WITH NYLON THREAD	1
8	COVER CLOSURE	SILICON WITH NYLON THREAD	1
9	GROMMET	RUBBER	4
10	FRICTION RING	NYLON	1
11	COMPRESSION NUT	NYLON	1

SYMBOLS DIMENSION UNITS: INCH[MM] SCALE: NTS GENERAL TOLERANCES (UNLESS SPECIFIED): 4 PLACES ± 3 PLACES ± 2 PLACES ± 1 PLACE ± 0 PLACES ± ANGULAR TOL ± ° DRAFT WHERE APPLICABLE MUST REMAIN WITHIN DIMENSIONS	THIS DRAWING CONTAINS INFORMATION THAT IS PROPRIETARY TO MOLEX ELECTRONIC TECHNOLOGIES, LLC AND SHOULD NOT BE USED WITHOUT WRITTEN PERMISSION CURRENT REV DESC: RELEASED		molex WATERTITE CONNECTOR 4P5W L22-30 PRODUCT CUSTOMER DRAWING
	EC NO: 614388 DRWN: DSOPPIN 2019/01/03 CHK'D: DNGUYEN62 2019/04/24 APPR: HKNEELAND 2019/04/25	INITIAL REVISION: DRWN: DSOPPIN 2019/01/03 APPR: HKNEELAND 2019/04/25	
THIRD ANGLE PROJECTION DRAWING SERIES: C-SIZE 130147	MATERIAL NUMBER: SEE TABLE CUSTOMER: GENERAL MARKET	SHEET NUMBER: 1 OF 1	