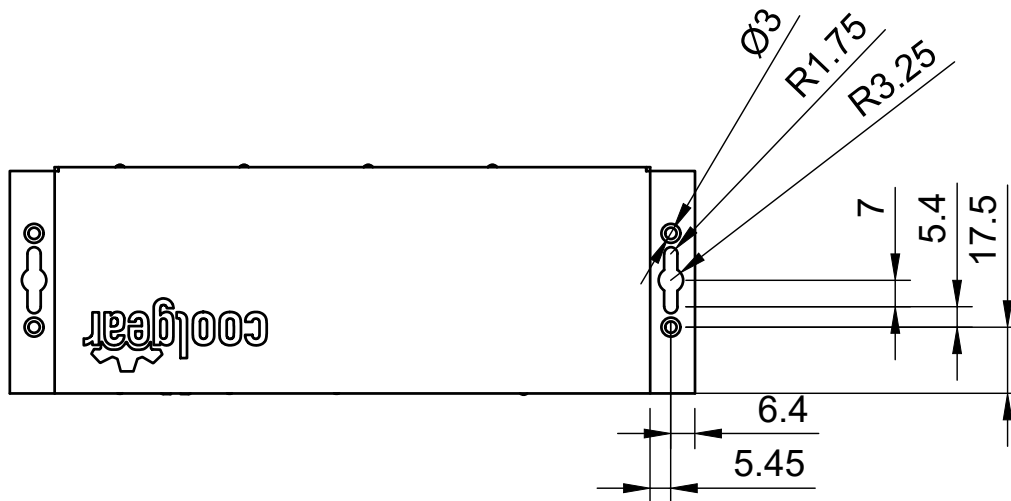
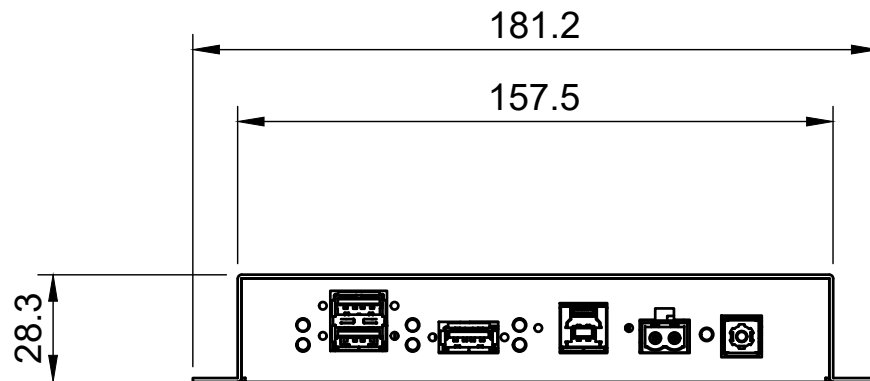

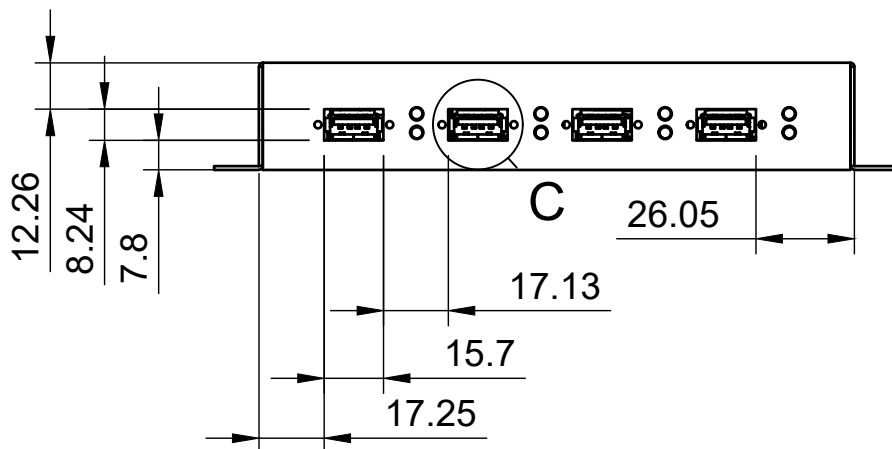
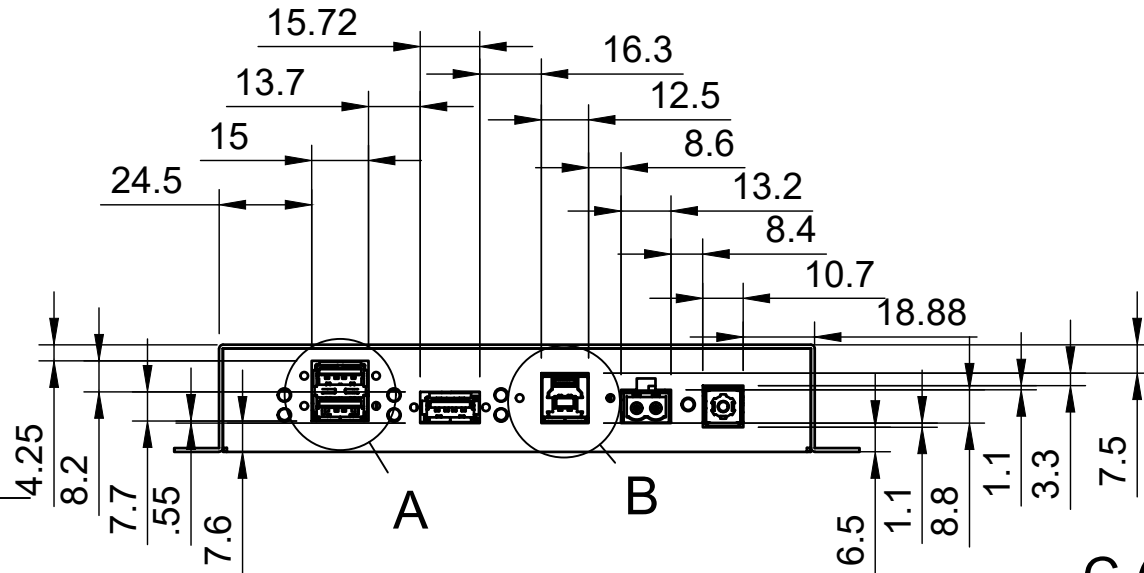


Basic Measurements
Mounting Holes

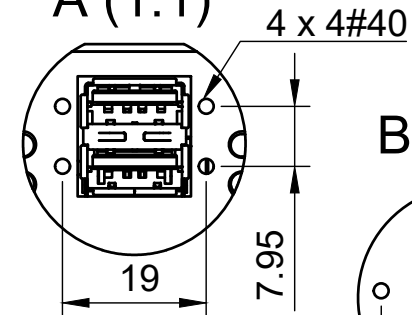


	Model #: CG-43AB1VV	
	Drawn by: Leo Pinto	Scale: 1:2
Drawn Date: 6/4/2021	Tolerance: +/- 0.15mm	
Notes:	Contact: support@coolgear.com	
	Web: coolgear.com	
	A4	1/2

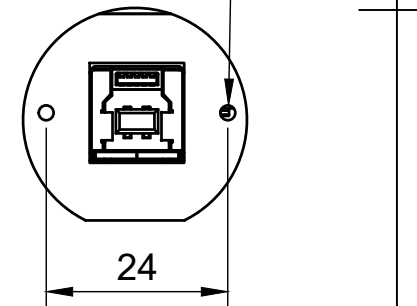
Port Detailed
Locking Holes Detailed



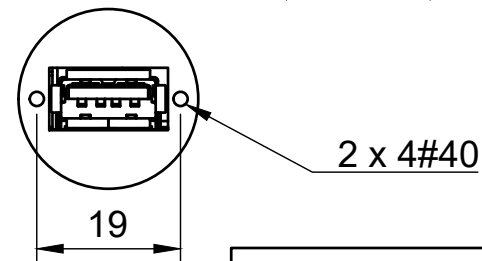
A (1:1)




B (1:1)



C (1:1)



		Model #:	
		CG-43AB1VV	
Drawn by: Leo Pinto		Scale: 1:2	Units: mm
Drawn Date: 6/4/2021		Tolerance: +/- 0.15mm	
Notes:		Contact: support@coolgear.com	
		Web: coolgear.com	
		A4	2/2