

## CI41P-20T280-C-1X

Rev. 0-2020  
RoHS3 & REACH  
IP67 Front Face  
Piezoelectric Indicators



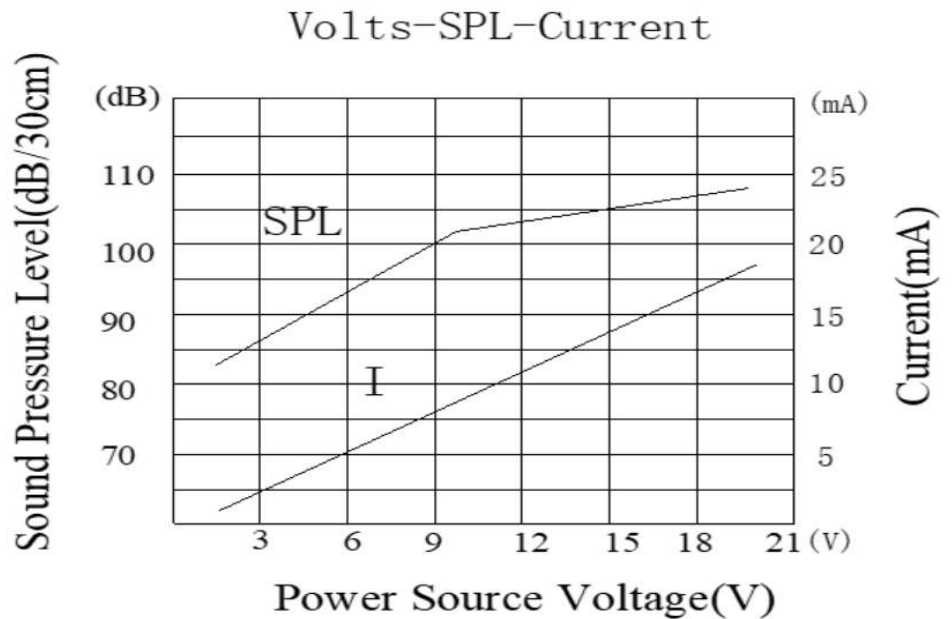
### Operating Characteristics

#### ELECTRICAL

Rated Voltage	12 VDC
Operating Voltage	1.5 to 20 VDC
Max Current at Vmax	40 mA

#### ACOUSTIC

Tone Category	Continuous
Description	Steady
Center $f$	2800 $\pm$ 500 Hz
Min SPL at Vrated	100 dB
Test Conditions	30 cm



### Physical Characteristics

#### MATERIALS

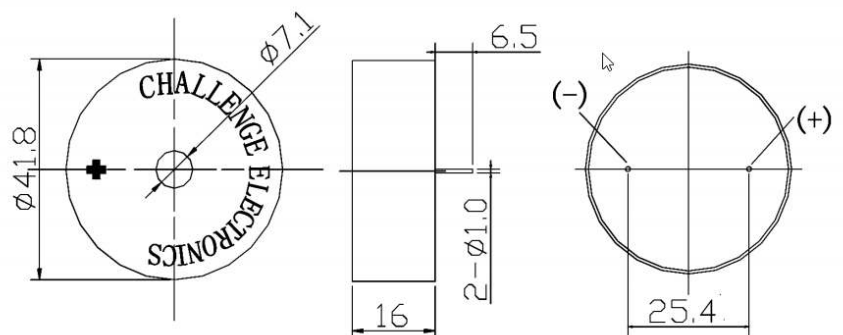
Housing	Black Noryl
Diaphragm	Brass
Through-Hole Pins	Red Copper (DSn)

#### TEMPERATURE RANGES

Operating	-30 to +70 °C
Storage	-40 to +85 °C

Weight 15 g

Unless otherwise specified, tolerance:  $\pm 0.5$  (unit: mm)



Revision	Description	By	Date
0-2020	Original Specification	SP	2020-06-16

Warranty: For a period of one (1) year from date of shipping under normal operations conditions This warranty does not apply to products damaged through misuse, abuse, improper installation, alteration, rework, or attempt to repair.