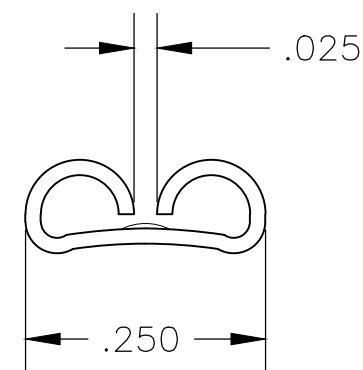
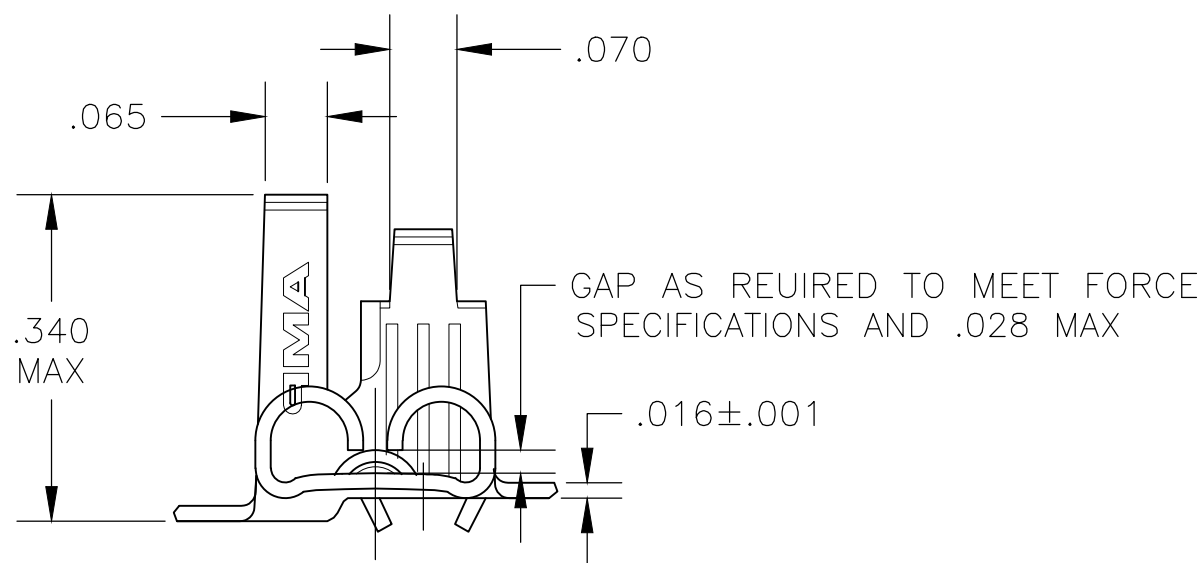
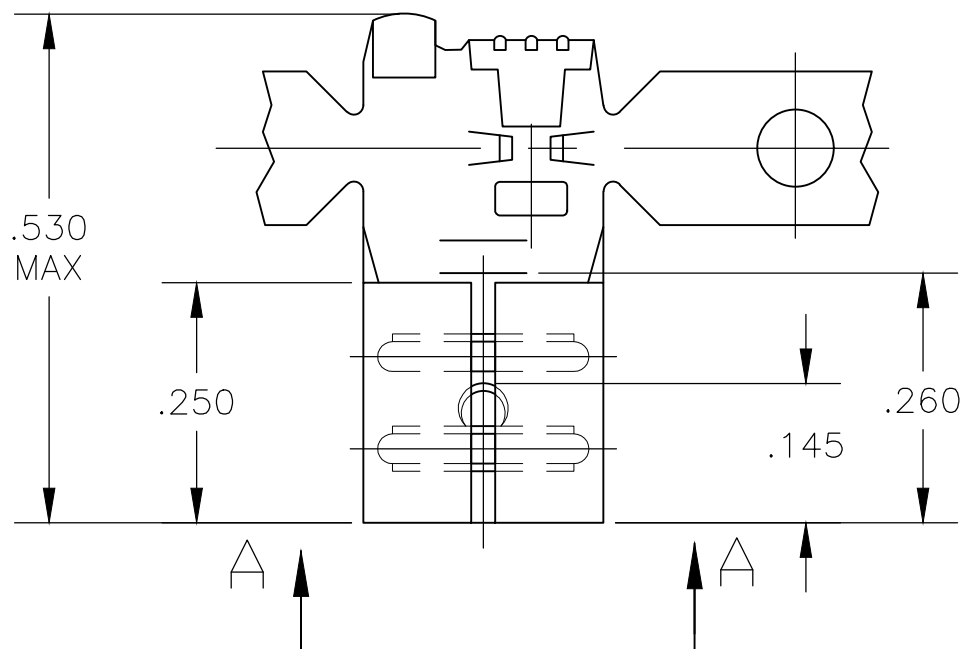


THIS DRAWING IS UNPUBLISHED. RELEASED FOR PUBLICATION
 © COPYRIGHT BY TYCO ELECTRONICS CORPORATION. ALL RIGHTS RESERVED.

LOC	DIST	REVISIONS			
P	LTR	DESCRIPTION	DATE	DWN	APVD
AF	50	B1	REVISED PER ECR-20-009164	23JUL2020	MK DH


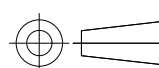
- CONTINUOUS STRIP ON REELS ON .650±.005 CENTERS
- MATING TAB THK IS .033-.030
- WIRE SIZE IS #18-#14 AWG
- INSULATION RANGE IS .100-.150 DIA



VIEW
A-A

1742595-1

PART NO

THIS DRAWING IS A CONTROLLED DOCUMENT.		DWN JR RUTH 03MAY07	 TE Connectivity RECEPTACLE, FASTON, FLAG, .205 SERIES				
DIMENSIONS: INCHES		CHK P DESANTIS 03MAY07					
		APVD P DESANTIS 03MAY07					
TOLERANCES UNLESS OTHERWISE SPECIFIED:		NAME					
0 PLC ± - 1 PLC ± - 2 PLC ± - 3 PLC ± .010 4 PLC ± - ANGLES ± 5°		PRODUCT SPEC	SIZE	CAGE CODE	DRAWING NO	RESTRICTED TO	
MATERIAL H02 STEEL		FINISH .000150 MIN NICKEL	APPLICATION SPEC	—	—	—	—
		WEIGHT	—	A3	00779	C-1742595	—
CUSTOMER DRAWING			SCALE	5:1	SHEET	1 OF 1	REV B1