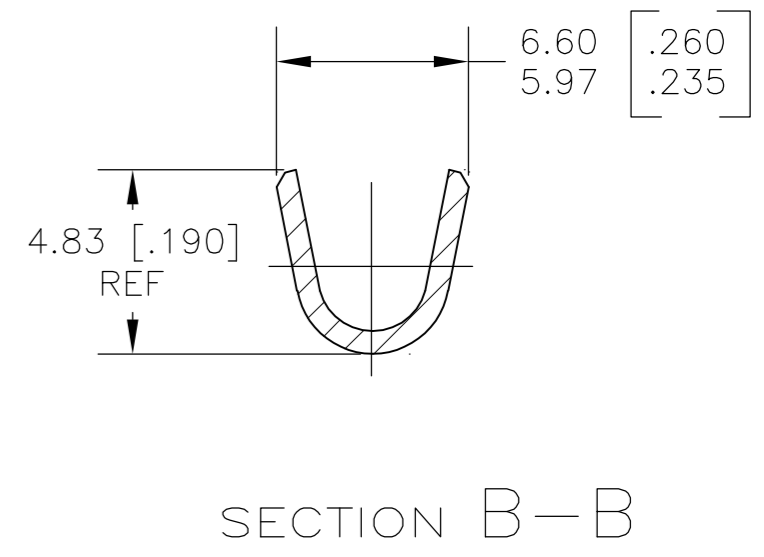
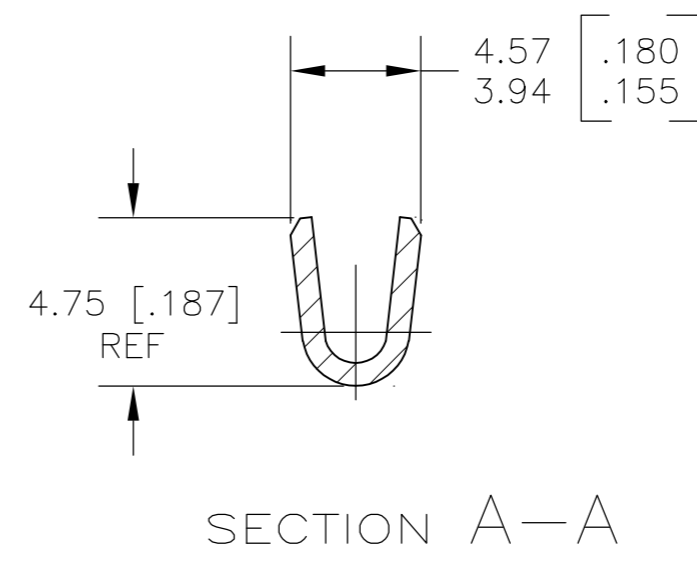
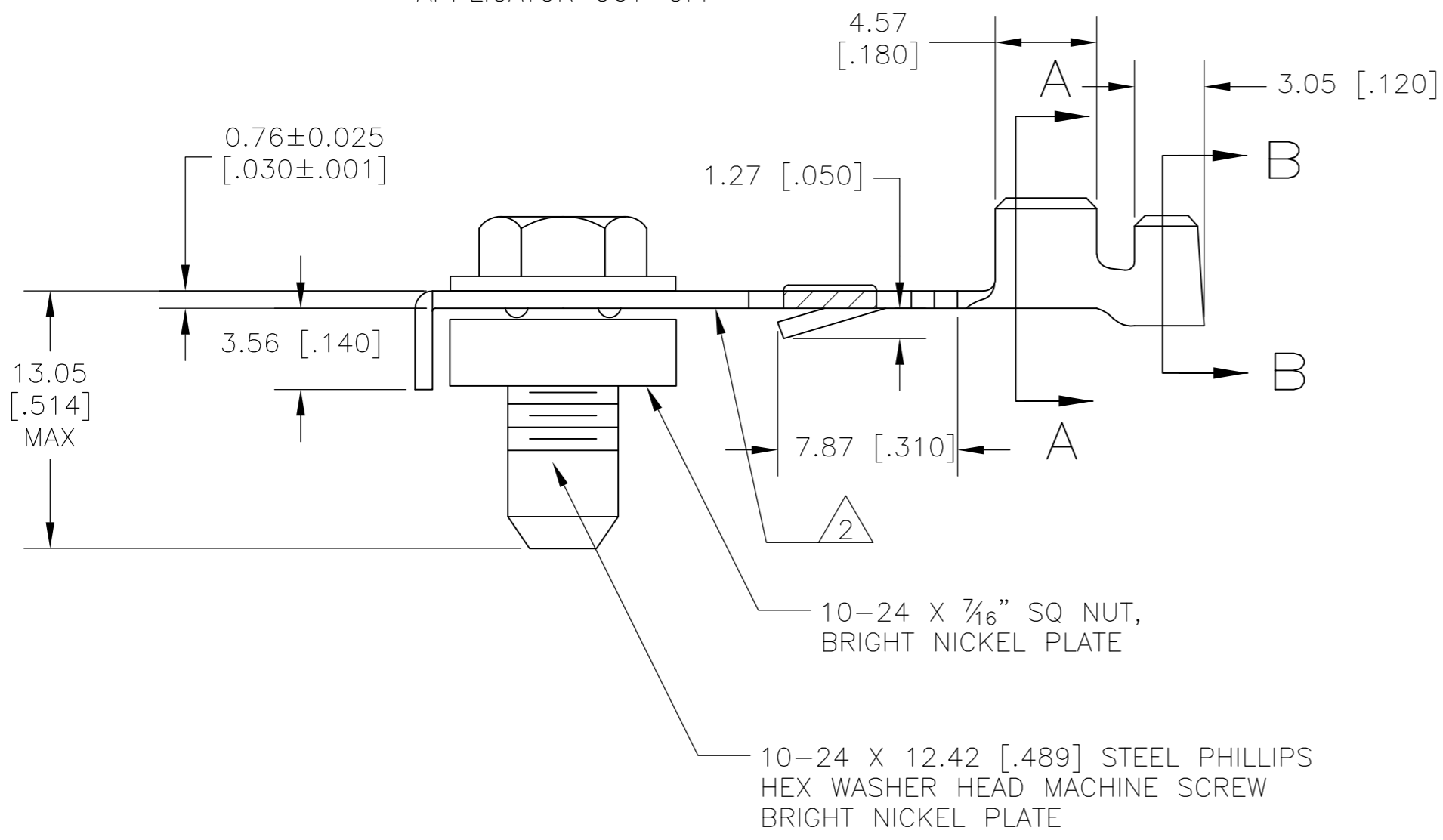
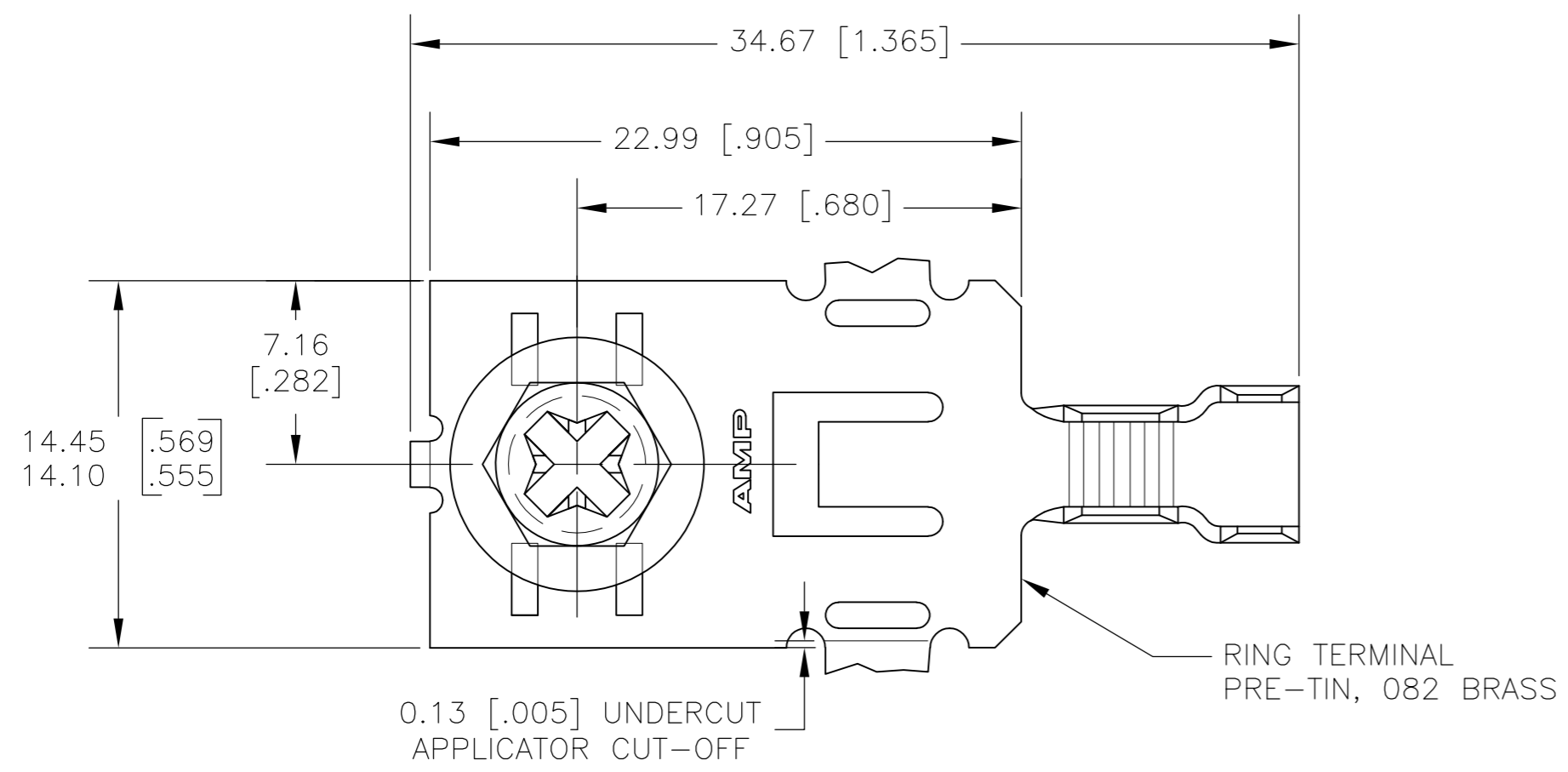


THIS DRAWING IS UNPUBLISHED. RELEASED FOR PUBLICATION  
 © COPYRIGHT - By - ALL RIGHTS RESERVED.

| LOC |     | DIST        |                           | REVISIONS |     |      |  |
|-----|-----|-------------|---------------------------|-----------|-----|------|--|
| P   | LTR | DESCRIPTION |                           | DATE      | DWN | APVD |  |
| AF  | 50  | C1          | REVISED PER ECR-11-025318 | 20DEC11   | KH  | GJ   |  |

- 1 CONTINUOUS STRIP ON REELS.
- 2 VERTICAL BURRS NOT TO EXCEED 0.13 [.005] ALONG THIS EDGE.
- 3 BACK OUT TORQUE OF SCREW TO BE A MIN OF 5 INCH LBS AND A MAX OF 25 INCH LBS.
- 4 REFERENCE APPLICATOR LOG SHEET FOR CRIMP INFORMATION.



|                           |            |             |
|---------------------------|------------|-------------|
| 2.54-3.56 [.100-.140] DIA | 18-14 AWG  | 1217851-1   |
| INSULATION RANGE          | WIRE RANGE | PART NUMBER |

|  |  |                                    |                           |               |
|--|--|------------------------------------|---------------------------|---------------|
| THIS DRAWING IS A CONTROLLED DOCUMENT. |  | DWN 18JUL2002<br>MICHAEL S. FEHER  | <b>TE</b> TE Connectivity |               |
| DIMENSIONS: MM [ INCHES ]              |  | CHK 18JUL2002<br>DONALD F. DECKER  |                           |               |
| TOLERANCES UNLESS OTHERWISE SPECIFIED: |  | APVD 18JUL2002<br>DONALD F. DECKER | NAME                      |               |
| 0 PLC ± -                              |  | PRODUCT SPEC                       | SUB-ASSEMBLY, POWER RING  |               |
| 1 PLC ± -                              |  | 108-1191                           | -                         |               |
| 2 PLC ± 0.38 [.015]                    |  | APPLICATION SPEC                   | SIZE                      | CAGE CODE     |
| 3 PLC ± -                              |  | 114-2087                           | A2                        | 00779         |
| 4 PLC ± -                              |  | WEIGHT                             | DRAWING NO                | RESTRICTED TO |
| ANGLES ± -                             |  | -                                  | C=1217851                 | -             |
| MATERIAL SEE CALL-OUTS                 |  | FINISH SEE CALL-OUTS               | SCALE                     | SHEET         |
|  |  |                                    | 4:1                       | 1 of 1        |
|  |  | CUSTOMER DRAWING                   | REV                       | C1            |