

| | | | | |
|-----------|-------------------|------------------------|-----------------|------------|
| 版本 REV | 变更通知单号 ECN NO. | 变更内容 CHANGE CONTENT | 签名 SIGNATURE | 日期 DATE |
| A1 | | | | |
| | | | | |

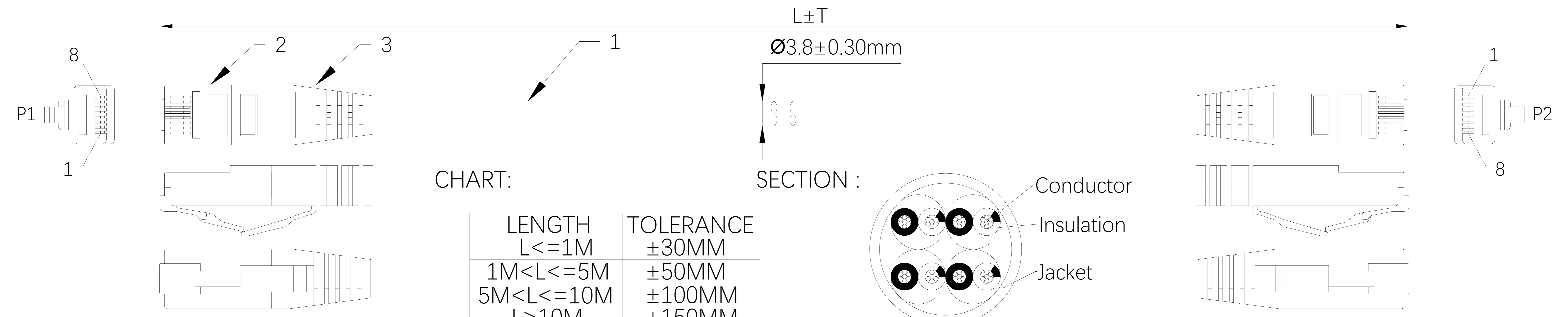
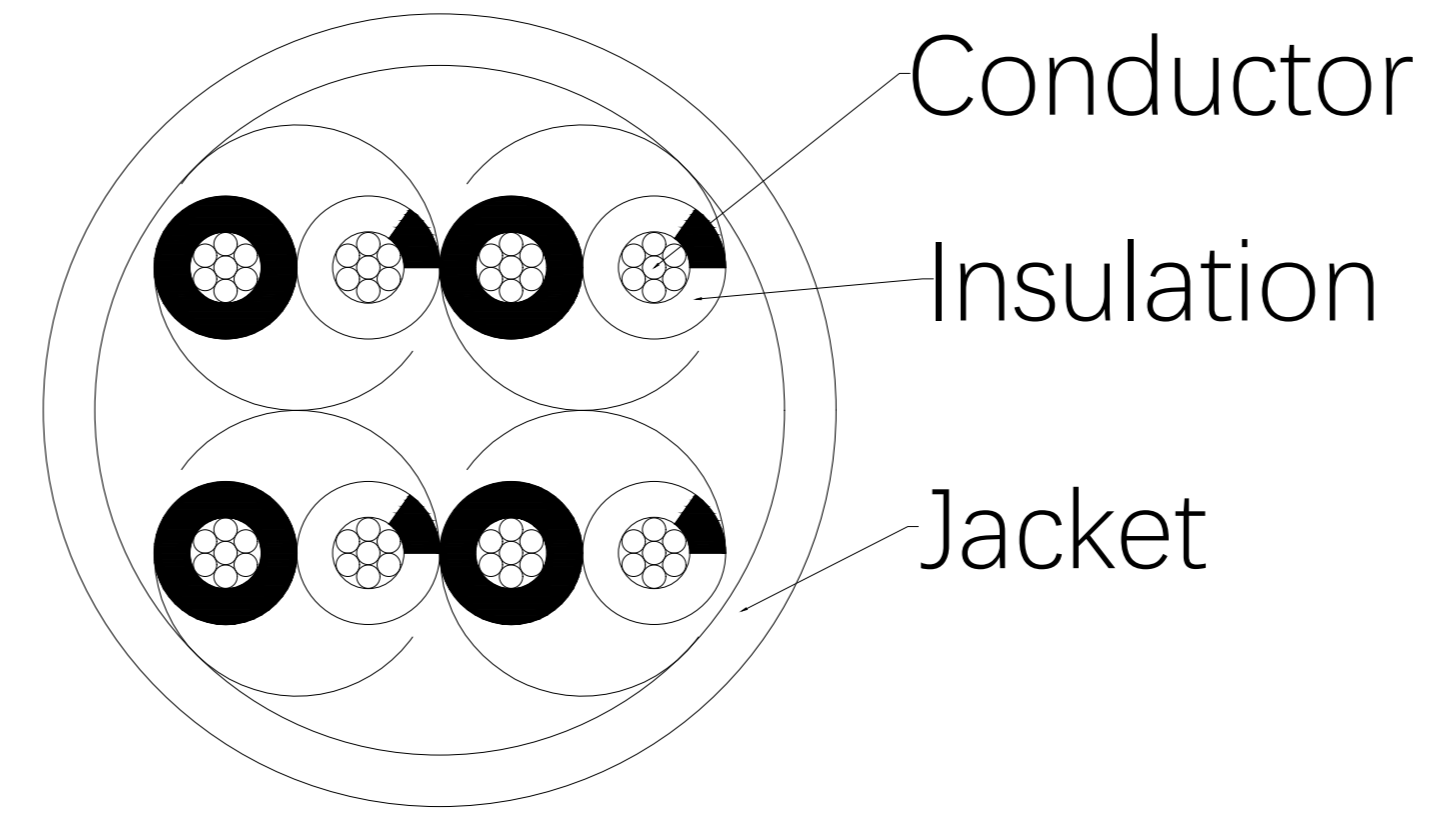


CHART:

| LENGTH | TOLERANCE |
|--------------|-----------|
| L ≤ 1M | ±30MM |
| 1M < L ≤ 5M | ±50MM |
| 5M < L ≤ 10M | ±100MM |
| L > 10M | ±150MM |

SECTION :

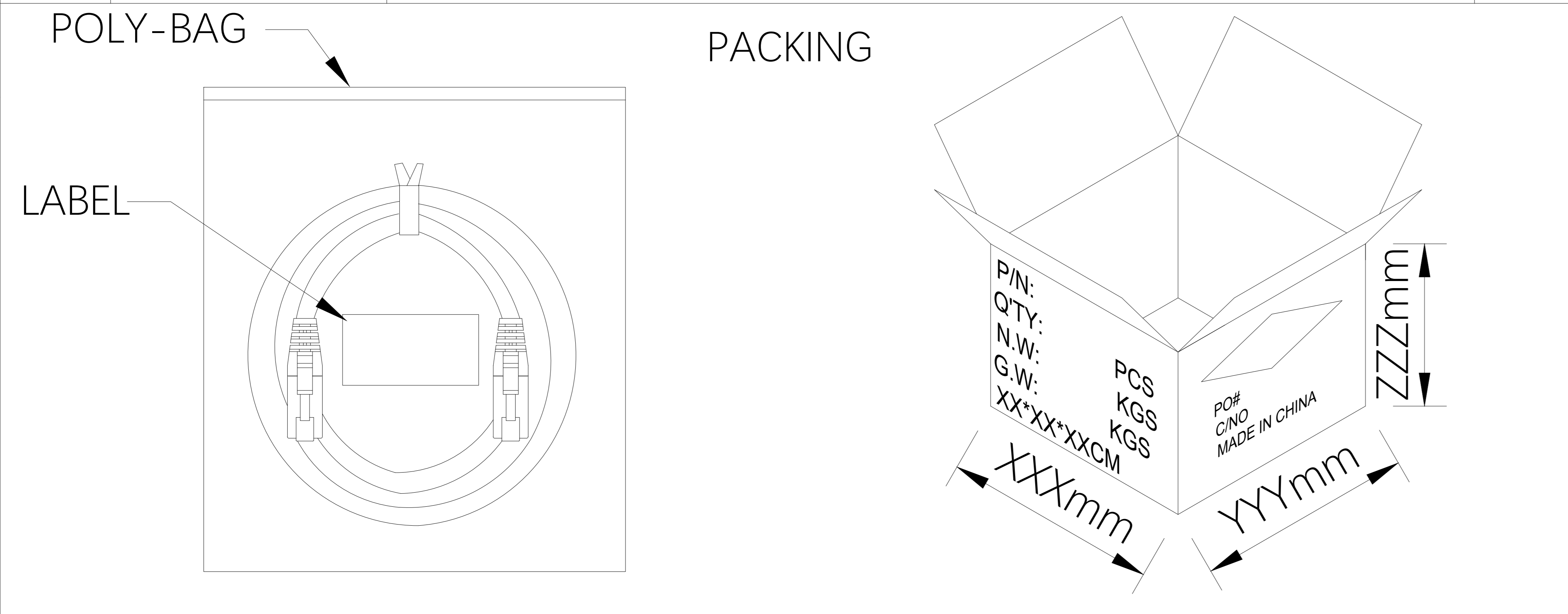


WIRE CONNECTION

| COLOR(568B) | P1 | PAIRS | P2 |
|--------------|----|-------|----|
| WHITE/ORANGE | 1 | ———— | 1 |
| ORANGE | 2 | ———— | 2 |
| WHITE/GREEN | 3 | ———— | 3 |
| BLUE | 4 | ———— | 4 |
| WHITE/BLUE | 5 | ———— | 5 |
| GREEN | 6 | ———— | 6 |
| WHITE/BROWN | 7 | ———— | 7 |
| BROWN | 8 | ———— | 8 |

NOTE:
1.CABLE ASS'Y MUST PASS CONTINUITY TEST.
2.PACKING: EACH CABLE IN POLY-BAG.

| ITEM | PART NAME | DESCRIPTION | QTY |
|------|-----------|--------------------------------------------------------------|-----|
| 3 | BOOT | CLEAR | 2 |
| 2 | CONNECTOR | P1&P2 RJ45 MODULAR PLUG,FU" GOLD PLATED | 2 |
| 1 | CABLE | CAT.6A U/UTP 4x28AWG(7x0.12MM),BARE COPPER,OD:3.8MM,PVC/LSZH | A/R |



| | | | | | | |
|---------------|-----------------|------------|----------------------------------------------------|-----|---------------------|----------------------------------------------|
| | 签名 SIGNATURE | 日期 DATE | 深圳市爱德泰科技有限公司 Shenzhen ADTEK Technology Co., Ltd | | | |
| 制图 DRAWN | TAO LUO | 2022-3-17 | 材料 MAT'L | | 产品型号 PRODUCT NO. | CAT.6A U/UTP 28AWG STRANDED COPPER PATH CORD |
| 审核 CHK'D | TAO LUO | 2022-3-17 | 单位 UNITS | mm | 物料编码 PART NO. | |
| 工艺 PROCESS | | | 比例 SCALE | 1:1 | 图号 DRAWING NO. | |
| 批准 APPV'D | ZD YE | 2022-3-17 | 绘图视角 TYPE OF PROJECTION | | | 共 1 张 第 1 张 SHEET 1 OF 1 |
| | | | | | 版本 REV | A1 |