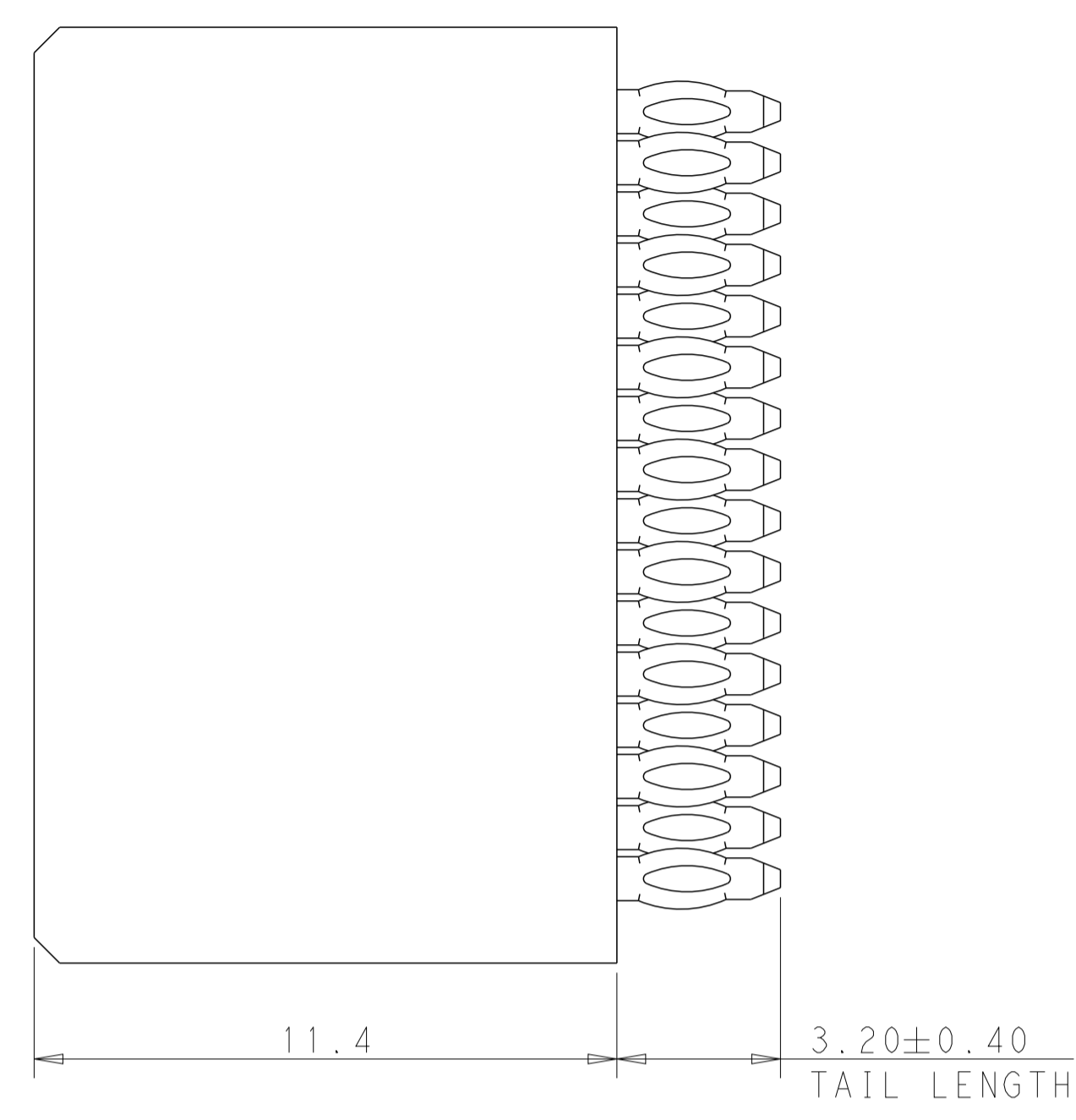
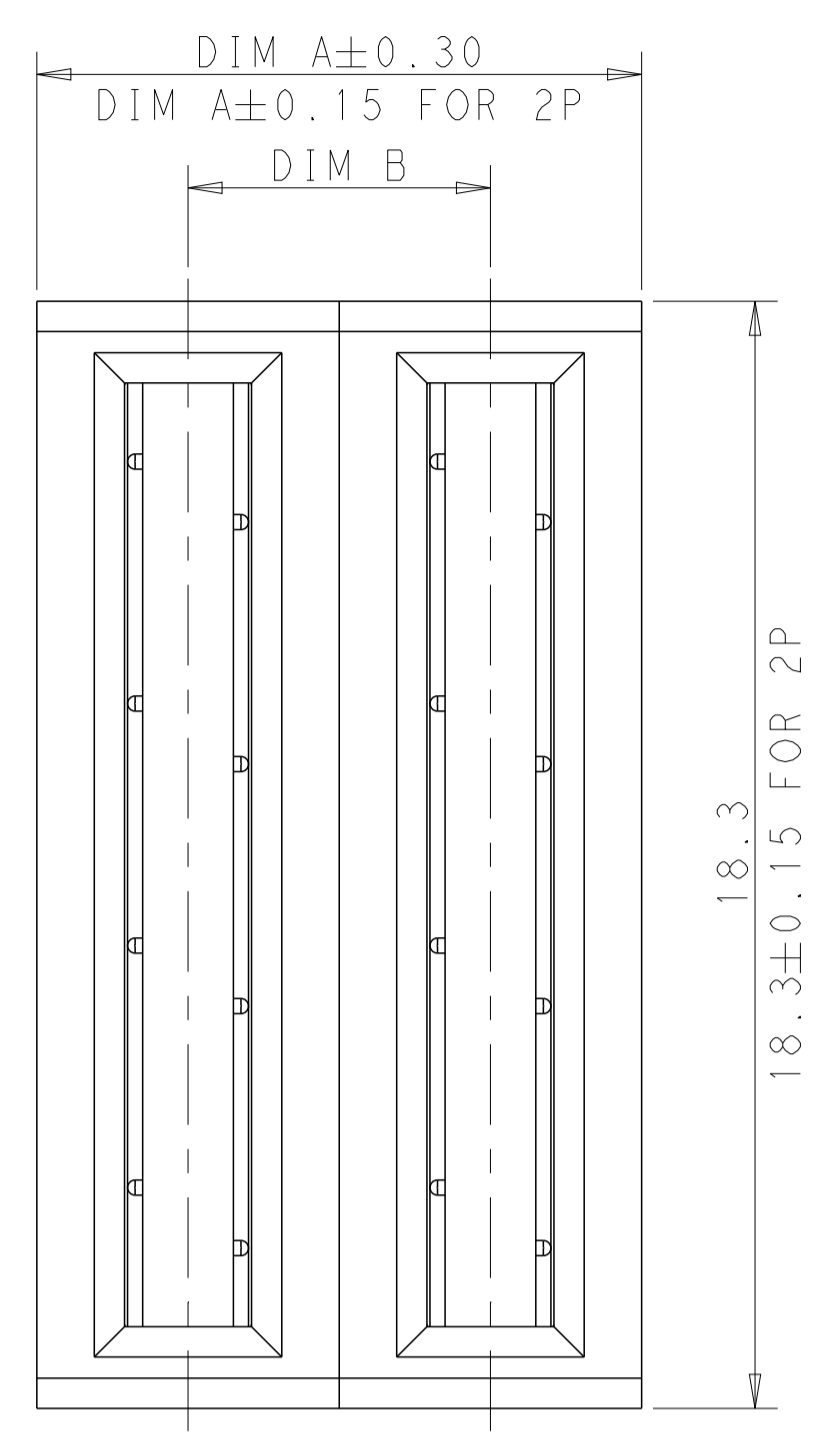
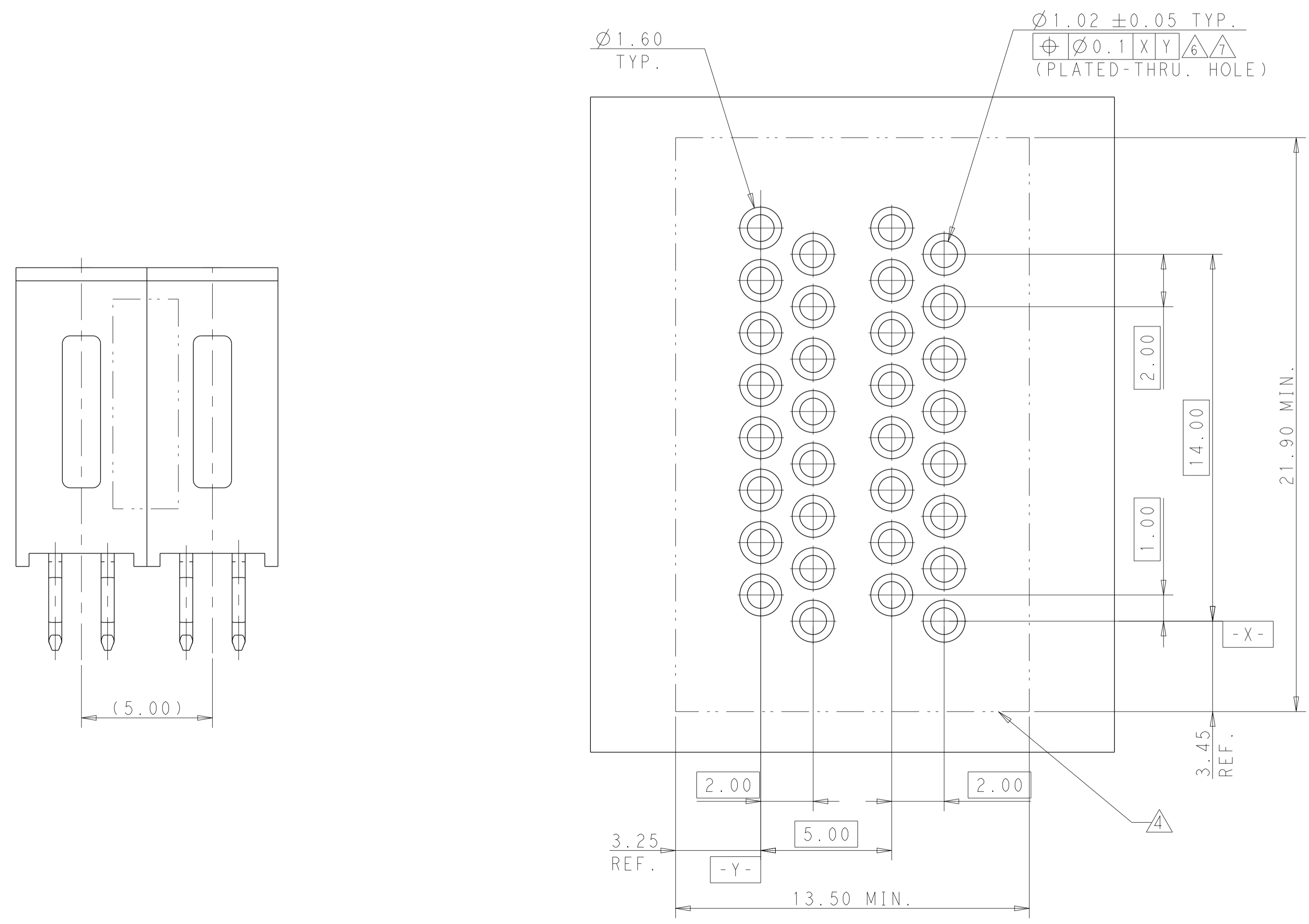


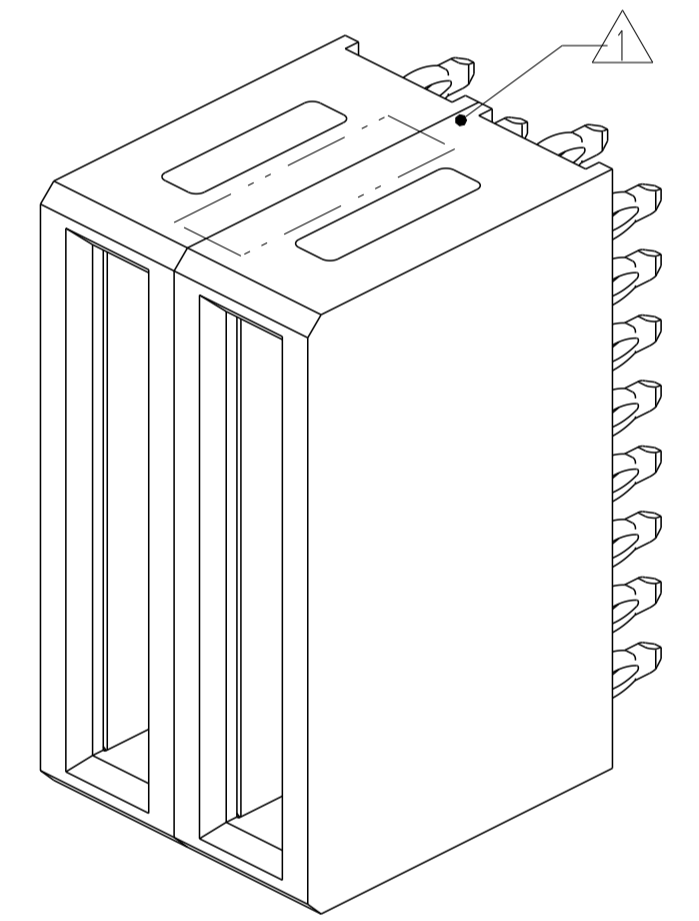
LOC		DIST		REVISIONS			
P	LTN	DESCRIPTION	DATE	DWN	APVD		
A7		ADD NEW DASH NUMBER 1-2/3	24FEB2021	TZ	SH		
A8		ECR-22-150491	22AUG2022	TZ	SH		



NOTES, UNLESS OTHERWISE SPECIFIED:
 ▲ "TE", PART NUMBER AND DATE CODE TO BE MARKED IN AREA SHOWN.
 ▲ MATERIAL:
 HOUSING - GLASS FILLED HIGH TEMP THERMO PLASTIC, LCP.
 COLOR: BLACK, UL94 V- 0.
 SIGNAL CONTACT - HIGH CONDUCTIVITY COPPER ALLOY.
 POWER CONTACT - HIGH CONDUCTIVITY COPPER ALLOY.
 ▲ CONTACT PLATING:
 MATING AREA - NOBLE METAL OVERALL NICKEL
 TAIL SIDE AREA - MATTE TIN OVERALL NICKEL.
 ▲ MECHANICAL CONNECTOR KEEP OUT ZONE.
 ▲ DATUM AND BASIC DIMENSIONS ESTABLISHED BY CUSTOMER.
 ▲ PCB - ALL HOLE DIAMETERS ARE FINISHED HOLE SIZES.
 ▲ PCB HOLE:
 POWER - 1.15 ± 0.025 MM DRILLED HOLES SIZE PLATING WITH 0.0076 MM MIN.
 Sn OVER 0.025-0.076 MM Cu PLATING TO ACHIEVE A 1.02 MM DIA. HOLE.



PART NUMBER	POWER	
	P2	P1
2204423-1	PM	PM
2P		



PART NUMBER	POWER	
	P2	P1
1-2204423-5	PA	PA
2P		

DIM A	DIM B	DESCRIPTION	PART NUMBER
10.00	5.00	2P	1-2204423-5
40.00	5.00	8P	1-2204423-3
10.00	5.00	2P	1-2204423-2
20.00	5.00	4P	1-2204423-1
26.00	7.00	4HVP	2204423-8
16.00	-	1P+2MP+1P	2204423-7
7.00	-	4LP	2204423-6
12.00	-	4MP	2204423-5
30.00	5.00	6P	2204423-4
20.00	5.00	4P	2204423-3
10.00	5.00	2P	2204423-2
10.00	5.00	2P	2204423-1

PCB LAYOUT P/N: 2204423-1/1-2204423-5

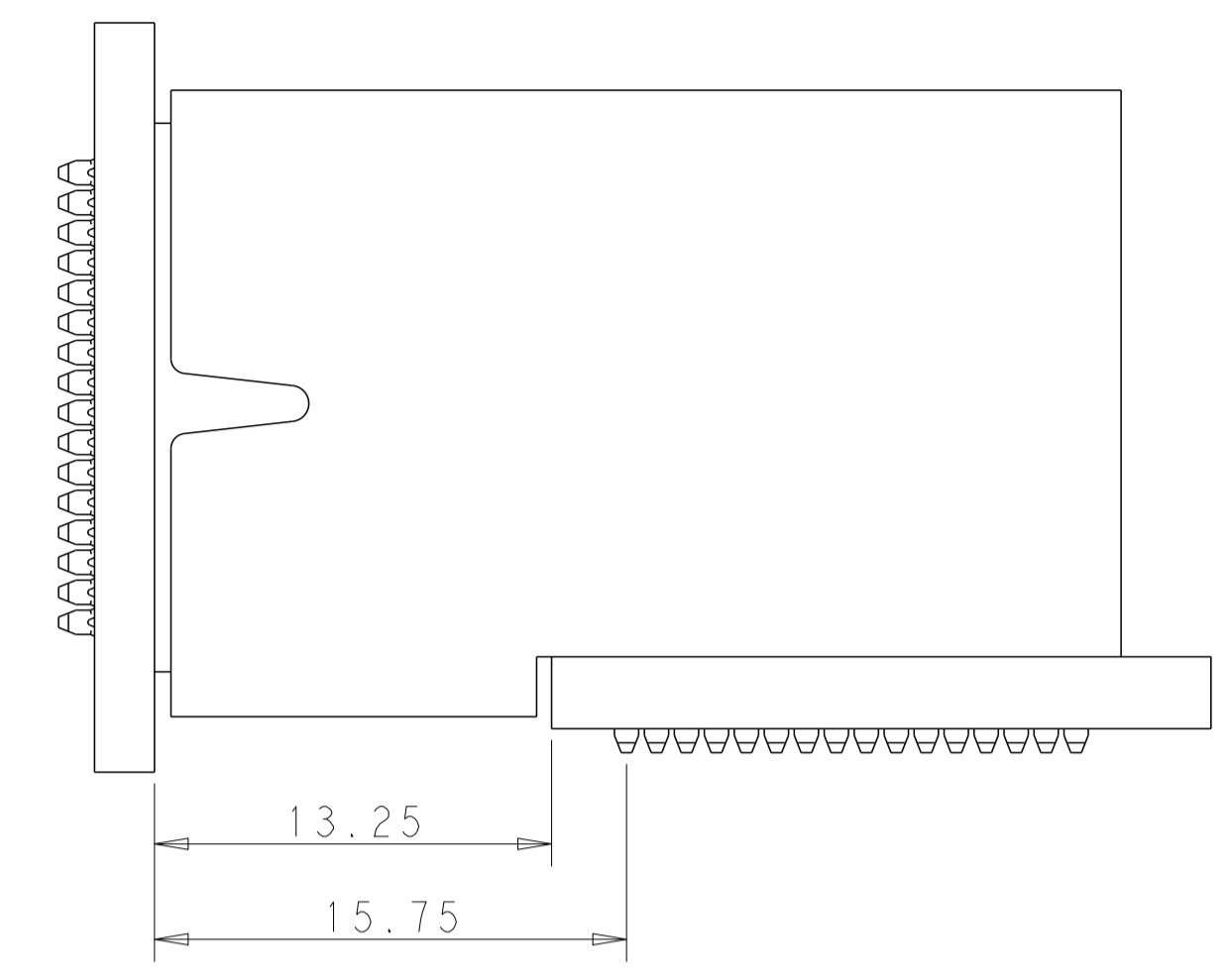
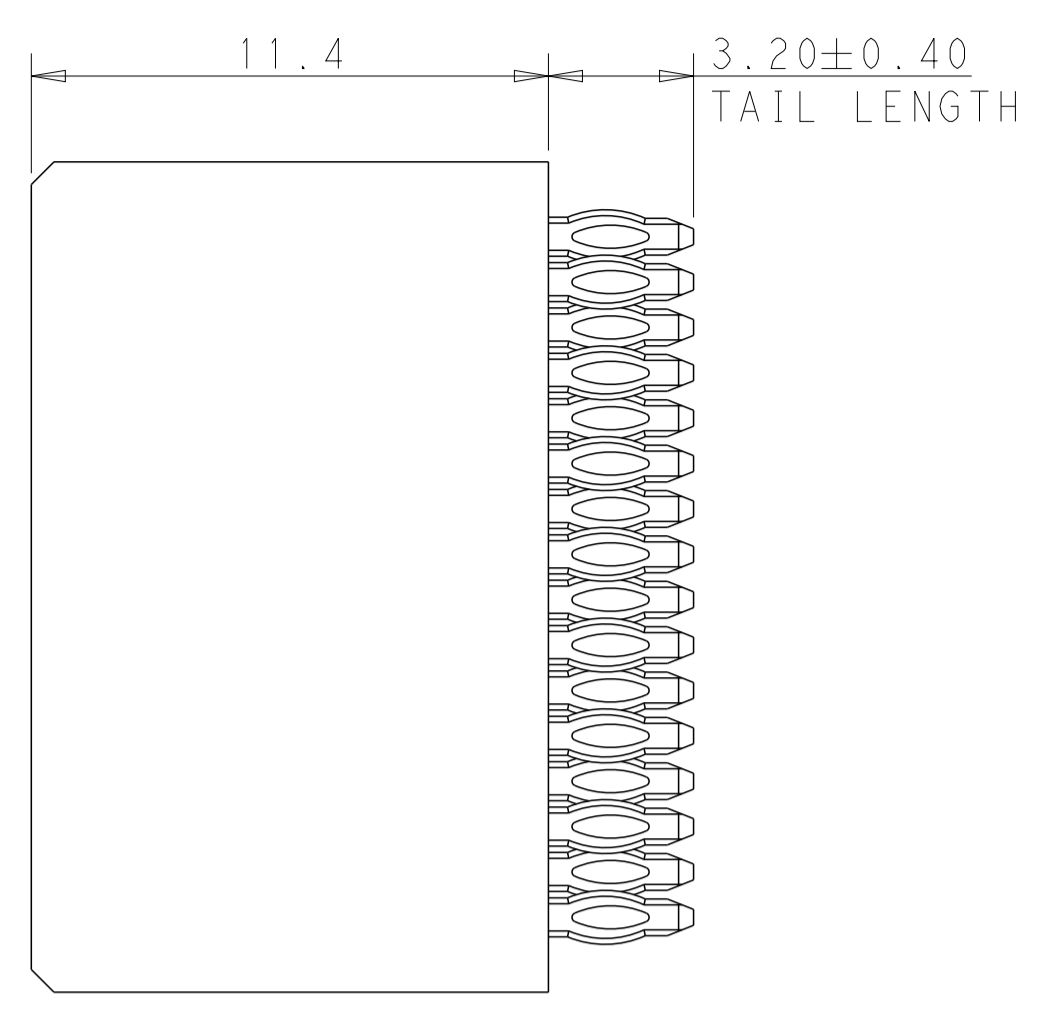
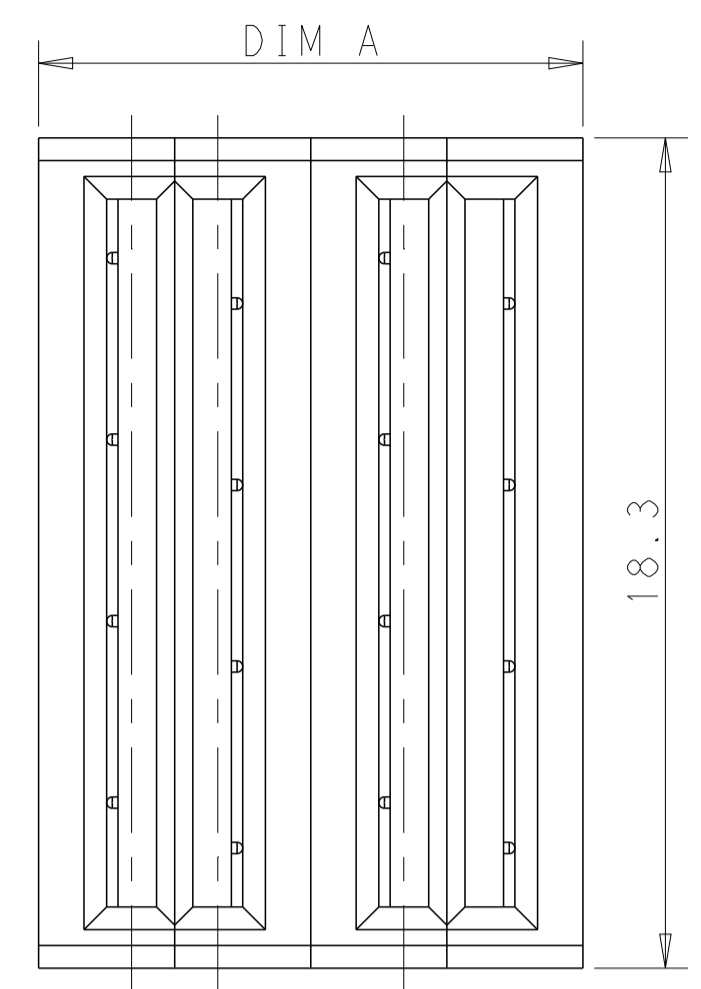
THIS DRAWING IS A CONTROLLED DOCUMENT. DWN THOMAS ZHAO 28JUN2013
 CHK SUNY ZHAO 28JUN2013
 APVD SUNY ZHAO 28JUN2013

TE Connectivity

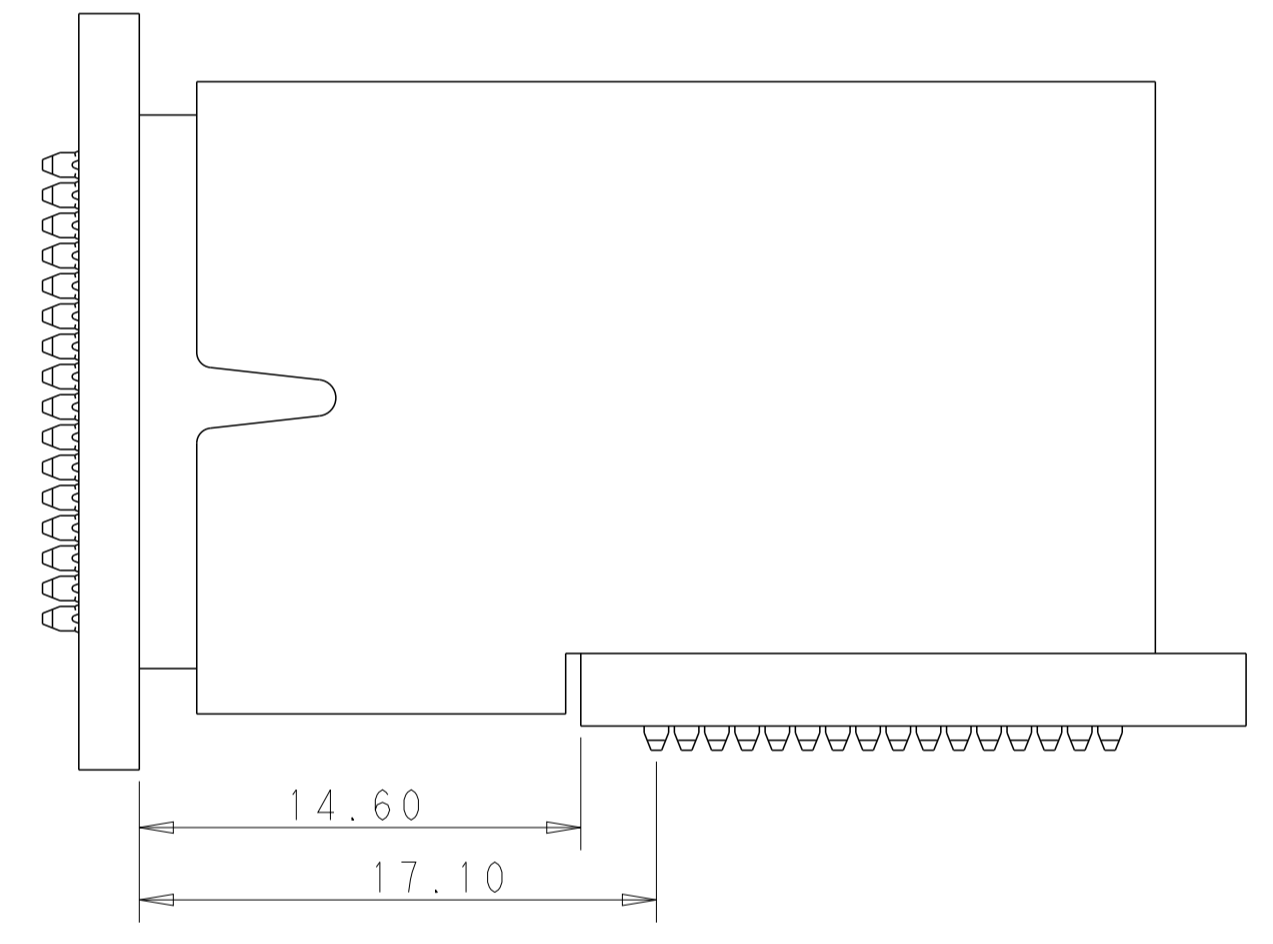
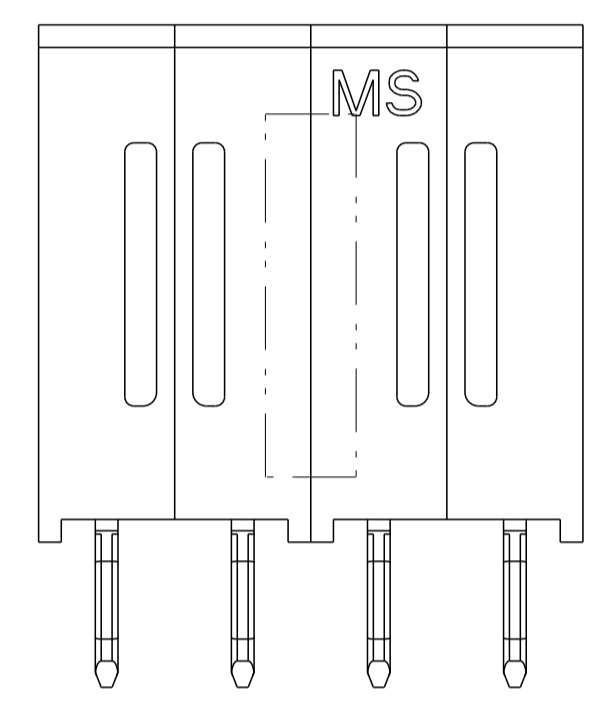
Customer Drawing
 VERTICAL RECEPTACLE PRESS FIT
 MUTIL-BEAM HD W/GUIDELESS

SCALE 8:1 SHEET 1 OF 6 REV A8

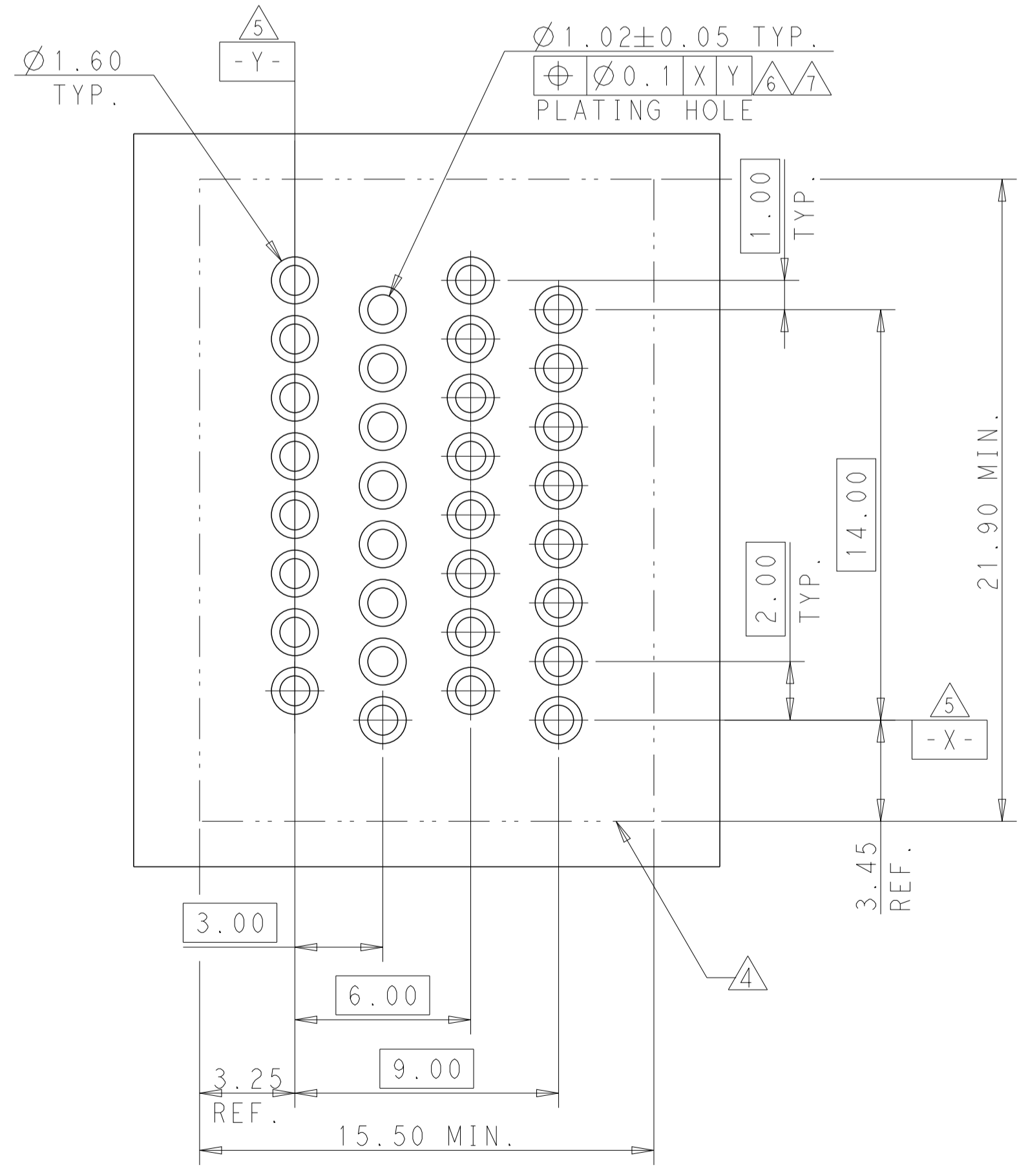
LOC	DIST	REV	DATE	BY	APPD
-	-	1	-	-	-
DESCRIPTION			DATE	BY	APPD
SEE SHEET 1			-	-	-



THE DISTANCE IS 0.05 MM MATING FACE FROM R/A PLUG TO VERTICAL REC.



THE DISTANCE IS 1.4 MM MATING FACE FROM R/A PLUG TO VERTICAL REC. 2204443-1/1-2204423-5



PART NUMBER	POWER			
	M4	M3	M2	M1
2204423-5	MM	MM	MN	MN
4MP				

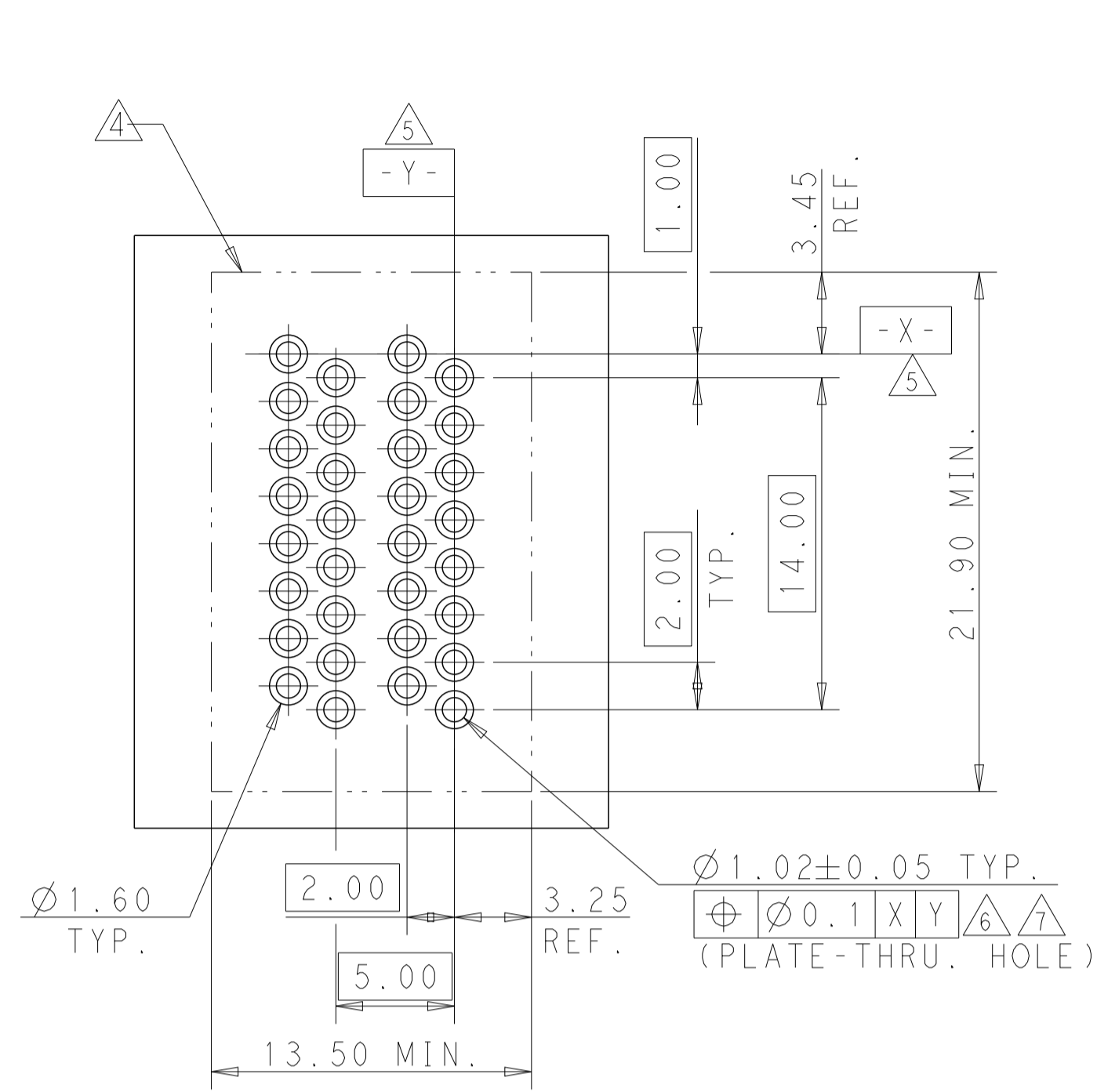
POWER CONTACT MFBL UNMATING 1.4MM	PA
POWER CONTACT STANDARD UNMATING 1.4MM	PB
MIDDLE POWER CONTACT MFBL	MM
MIDDLE POWER CONTACT STANDARD	MN
POWER CONTACT MFBL	PM
POWER CONTACT STANDARD	PN
DESCRIPTION	CODE

THIS DRAWING IS A CONTROLLED DOCUMENT.

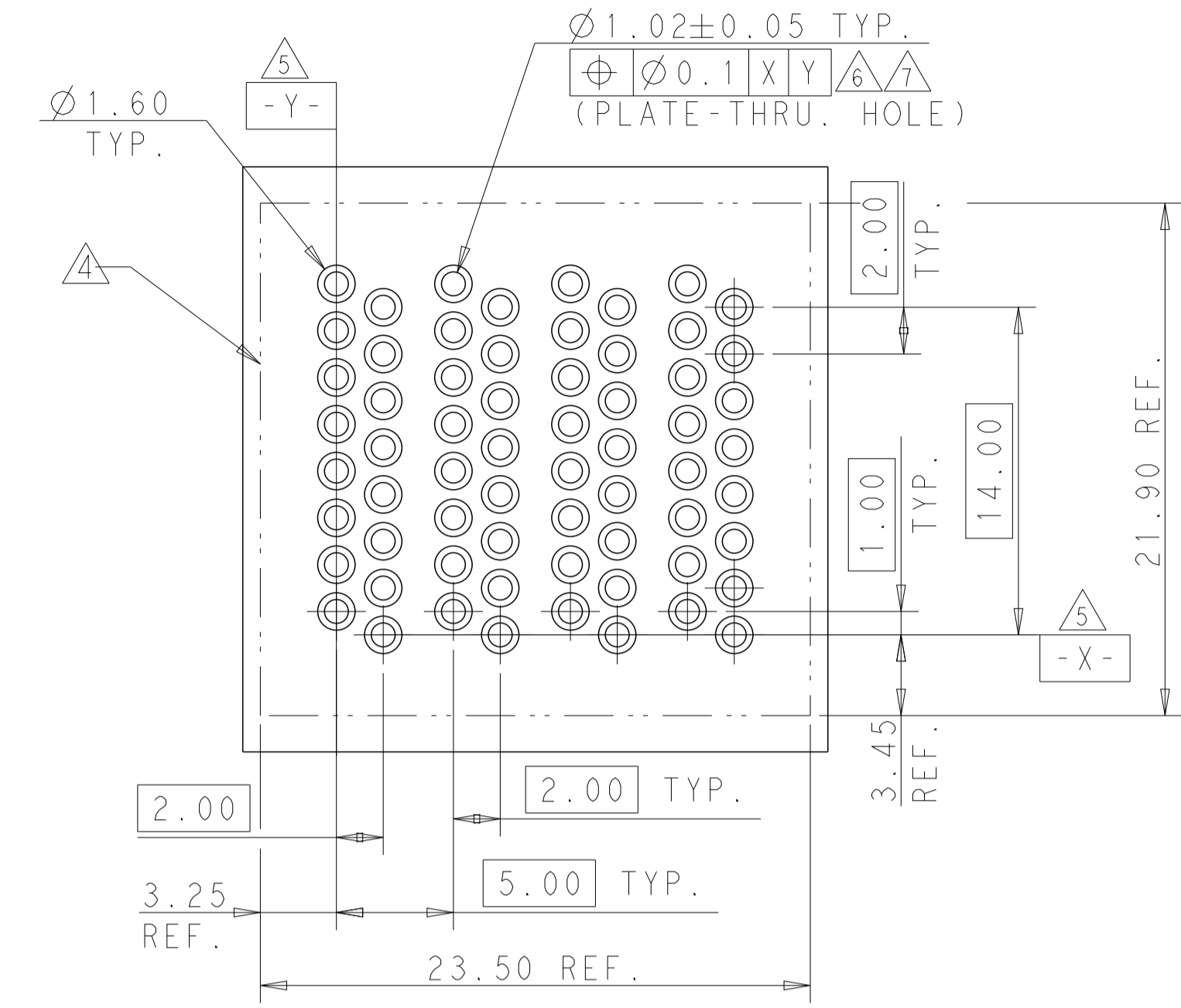
DIMENSIONS:	TOLERANCES UNLESS OTHERWISE SPECIFIED:	OWN: THOMAS ZHAO 28JUN2013	CHK: SUNY ZHAO 28JUN2013	APVD: SUNY ZHAO 28JUN2013	NAME: SUNY ZHAO 28JUN2013
mm	0 PLC ±0.4 1 PLC ±0.4 2 PLC ±0.25 3 PLC ±0.15 4 PLC ±0.15 ANGLES ±°	PRODUCT SPEC	APPLICATION SPEC	SIZE: A1	CAGE CODE: -
MATERIAL: -	FINISH: -	WEIGHT: -	DRAWING NO: C=2204423	RESTRICTED TO: -	REV: A8

CUSTOMER DRAWING SCALE 8:1 SHEET 2 OF 6

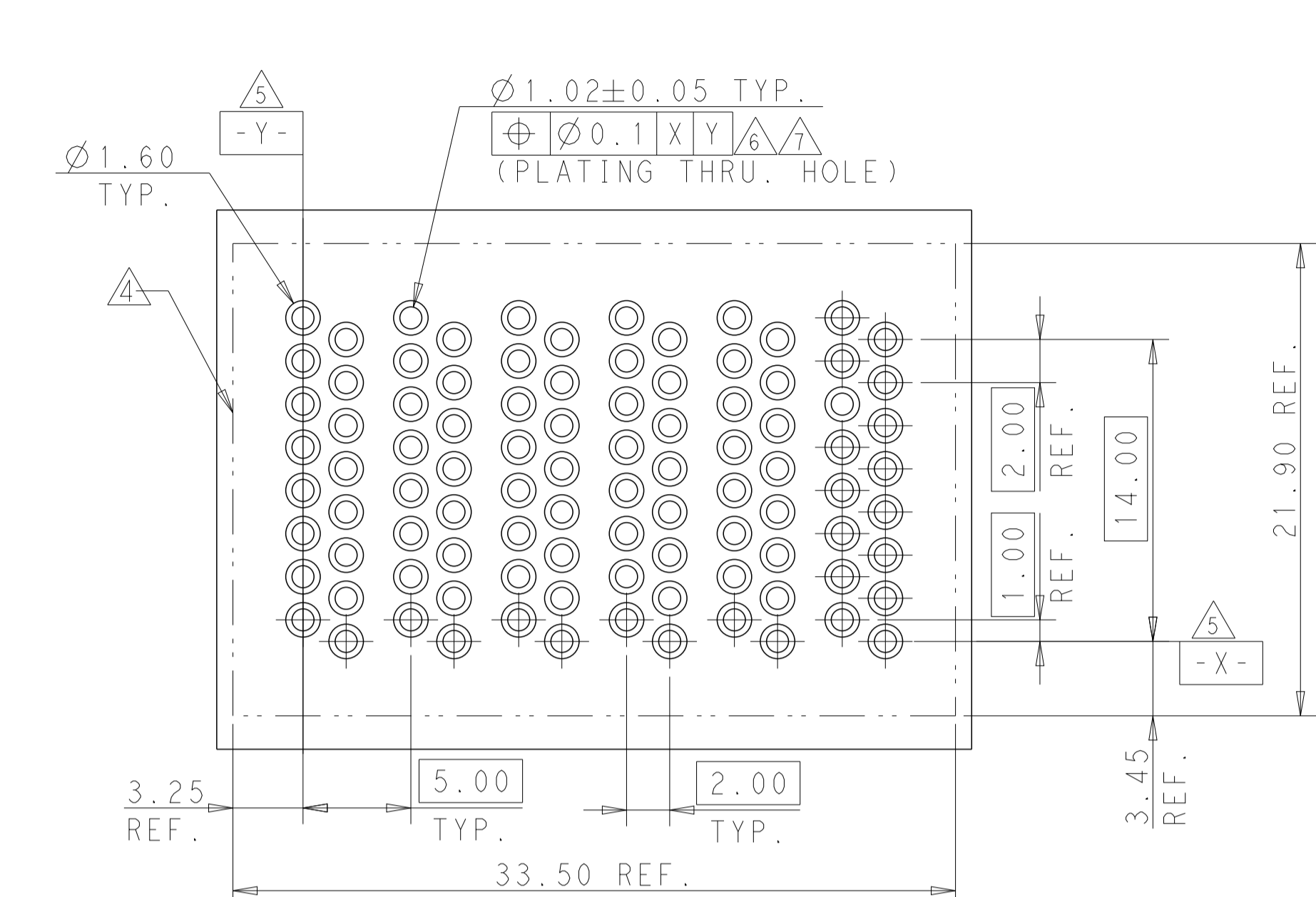
LOC		DIST		REVISIONS			
P	LTN	DESCRIPTION	DATE	DMN	APVD		
-	-	SEE SHEET 1	-	-	-		



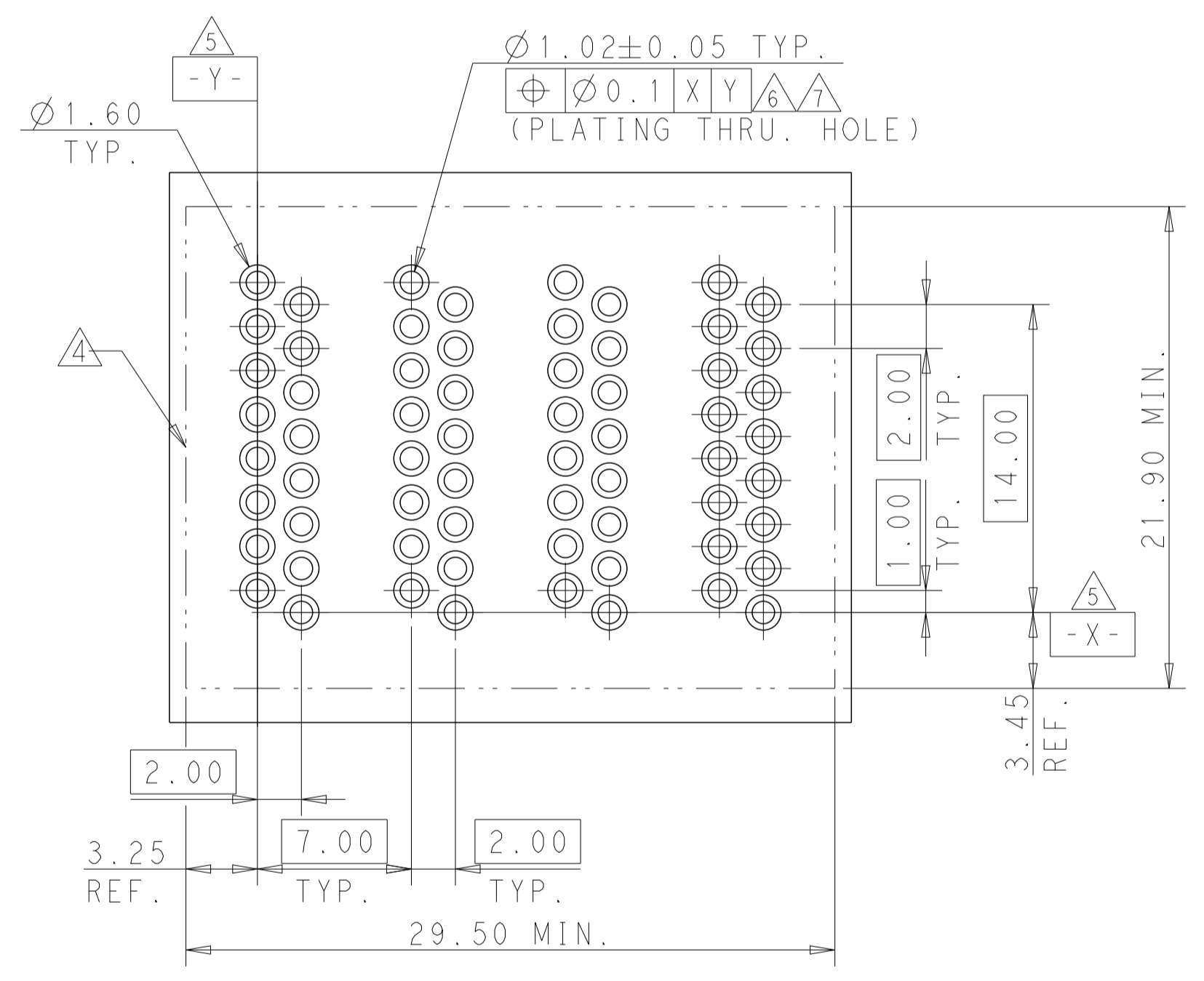
PCB LAYOUT PART NUMBER: 2204423-2



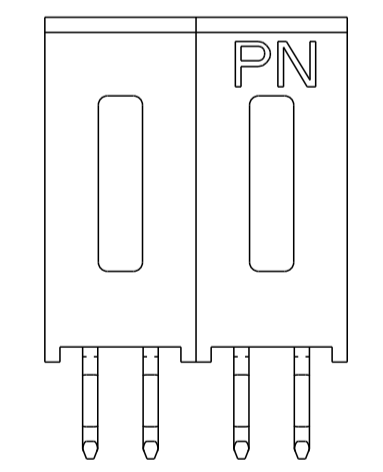
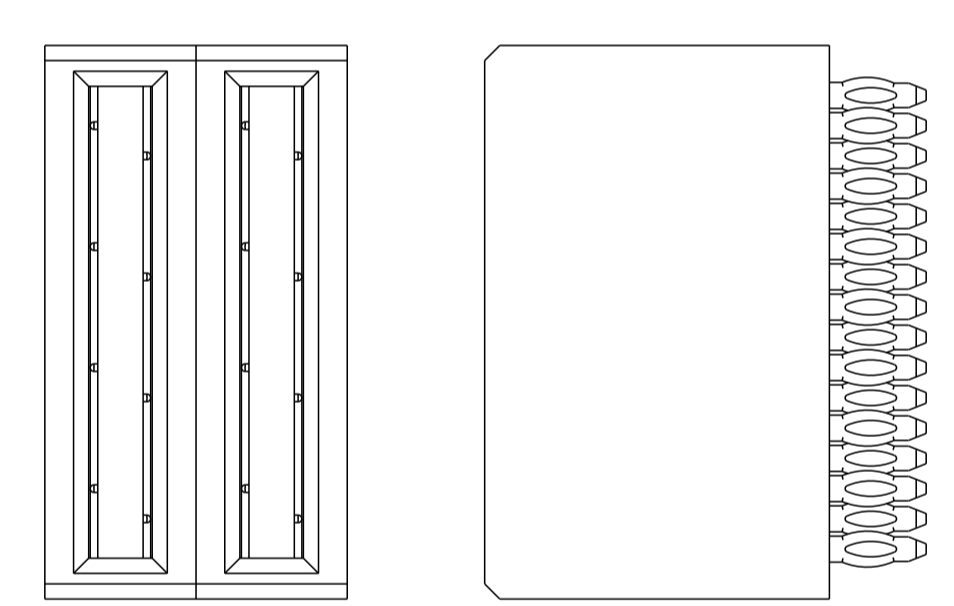
PCB LAYOUT PART NUMBER: 2204423-3/1-2204423-1



PCB LAYOUT PART NUMBER: 2204423-4



PCB LAYOUT PART NUMBER: 2204423-8



PART NUMBER: 2204423-2

PART NUMBER	POWER	
	P2	P1
2204423-2	PM	PN
2P		

PART NUMBER	POWER			
	P4	P3	P2	P1
2204423-3	PM	PM	PM	PM
4P				

PART NUMBER	POWER					
	P6	P5	P4	P3	P2	P1
2204423-4	PM	PM	PM	PM	PM	PM
6P						

PART NUMBER	POWER			
	P4	P3	P2	P1
2204423-8	PM	PM	PM	PM
4HVP				

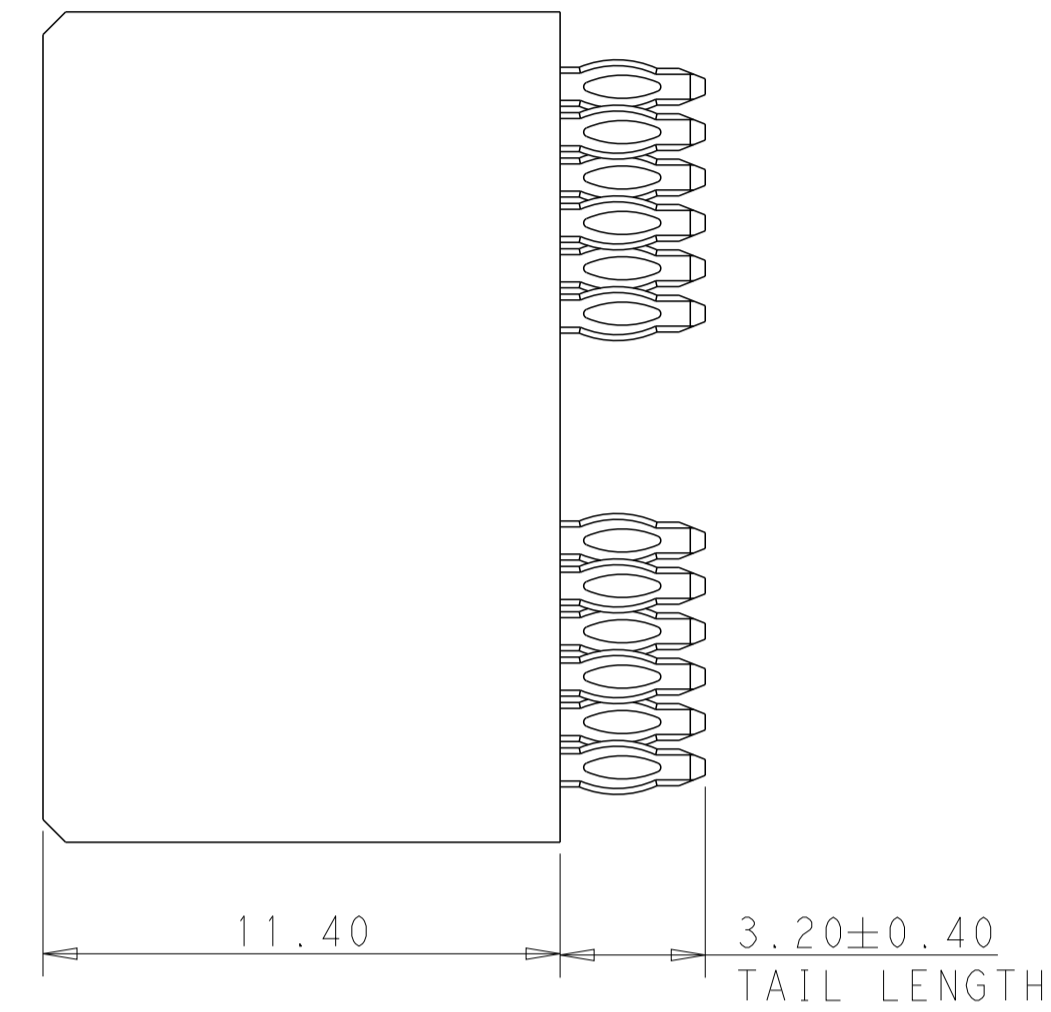
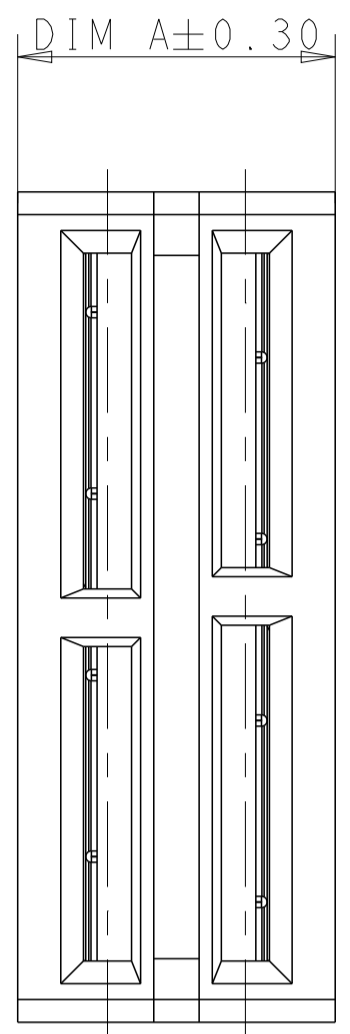
THIS DRAWING IS A CONTROLLED DOCUMENT. DMN THOMAS_ZHAO 28JUN2013
 CHK SUNY_ZHAO 28JUN2013
 APVD SUNY_ZHAO 28JUN2013

STE TE Connectivity

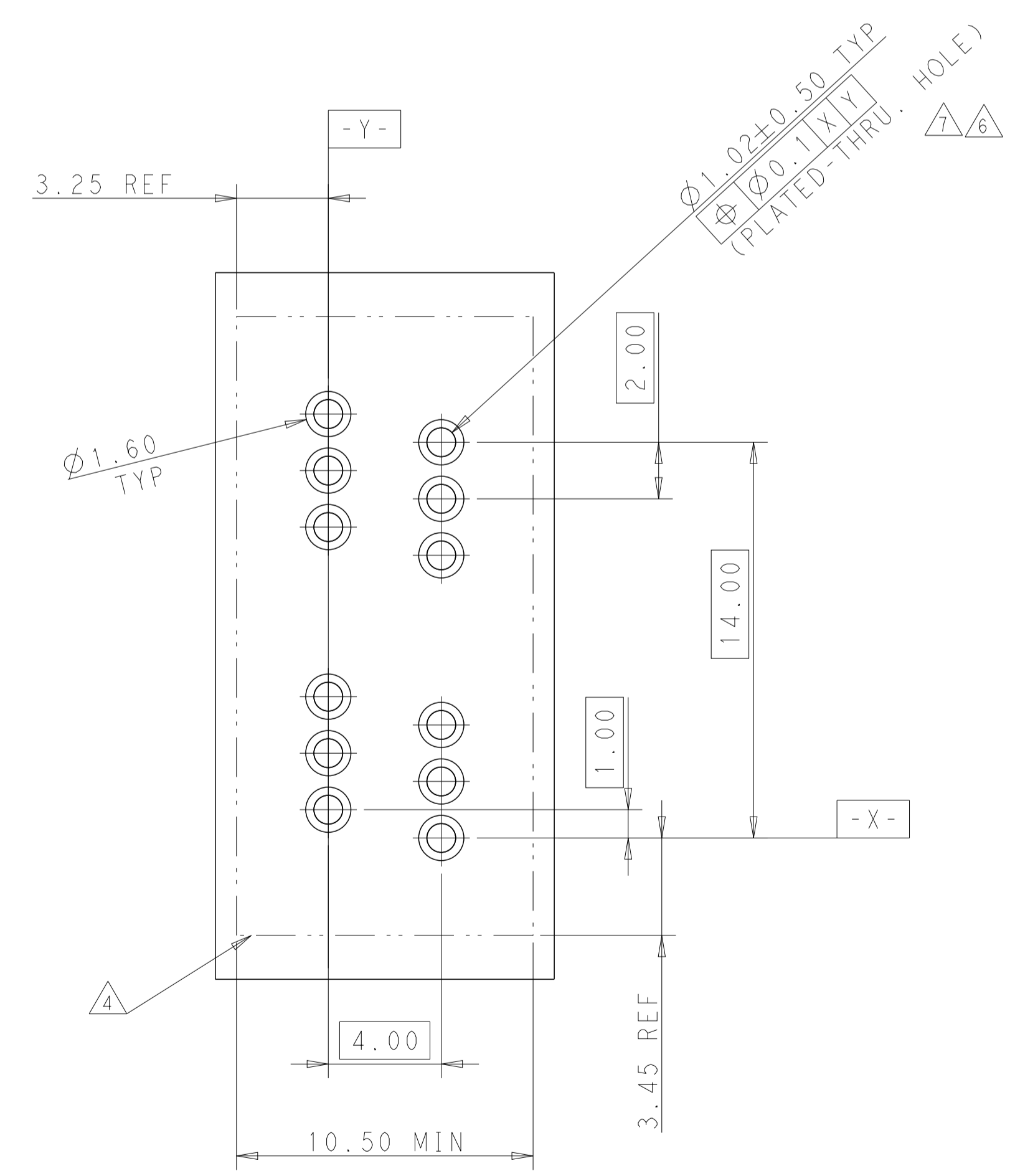
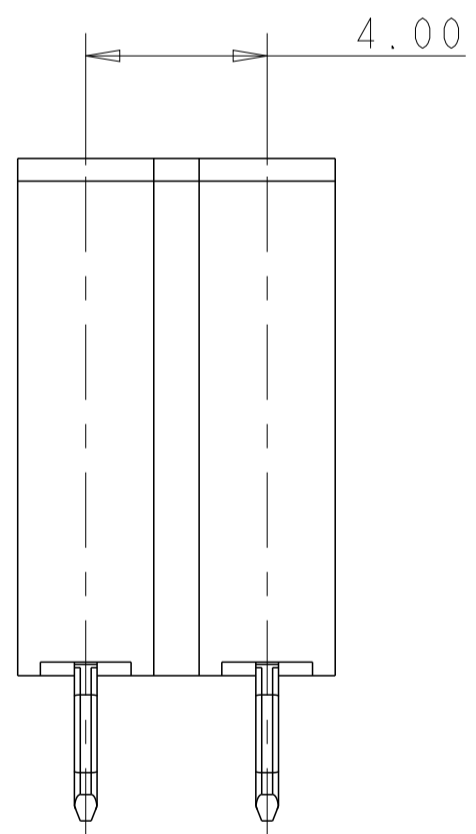
Customer Drawing
 VERTICAL RECEPTACLE PRESS FIT
 MUTIL-BEAM HD W/GUIDELESS

SIZE: A1 CAGE CODE: - DRAWING NO: C=2204423 RESTRICTED TO: -
 MATERIAL: - FINISH: - WEIGHT: - SCALE: 8:1 SHEET 3 OF 6 REV: A8

LOC		DIST		REVISIONS			
P	LTN	DESCRIPTION	DATE	DWN	APVD		
-	-	SEE SHEET 1	-	-	-		



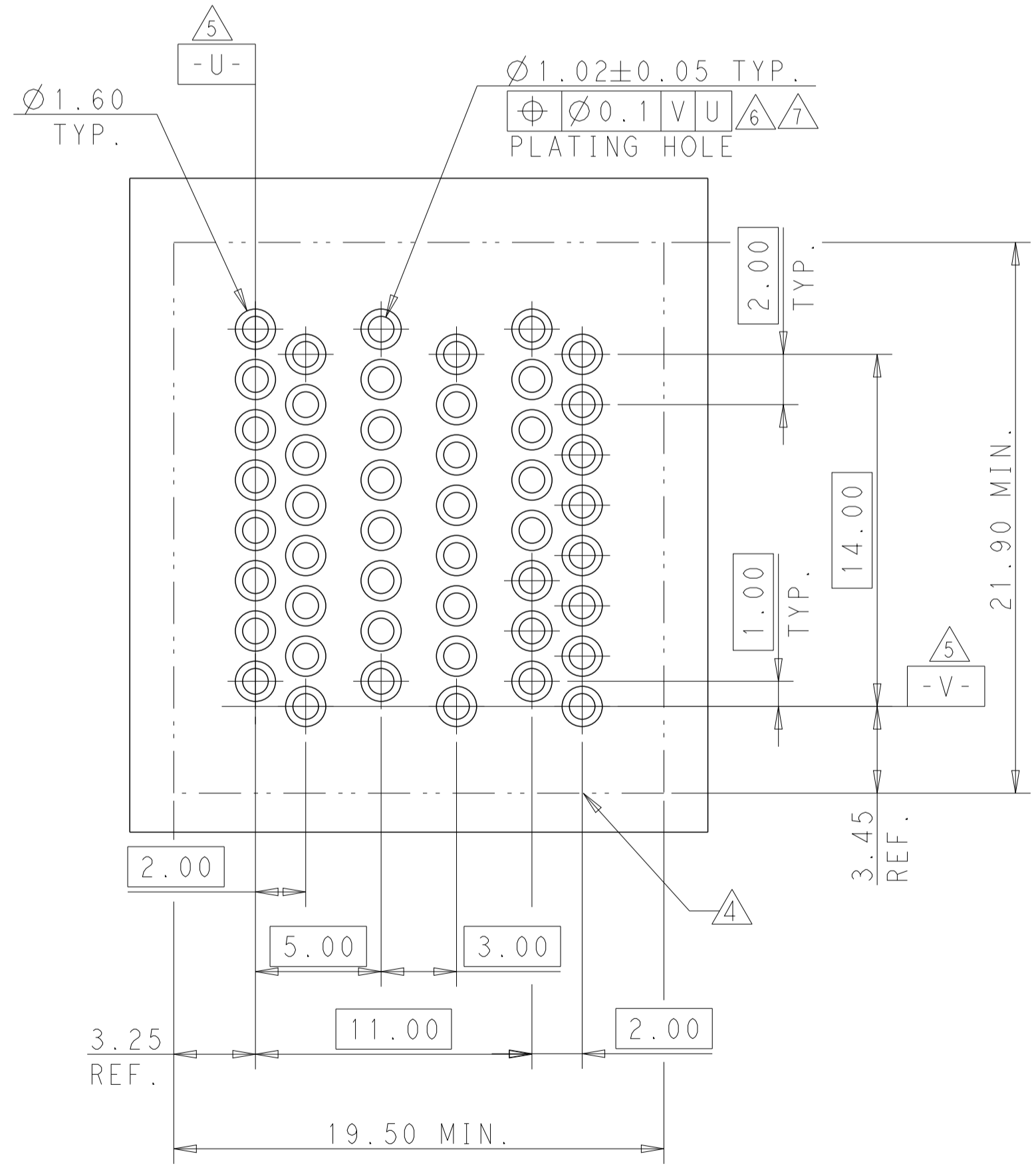
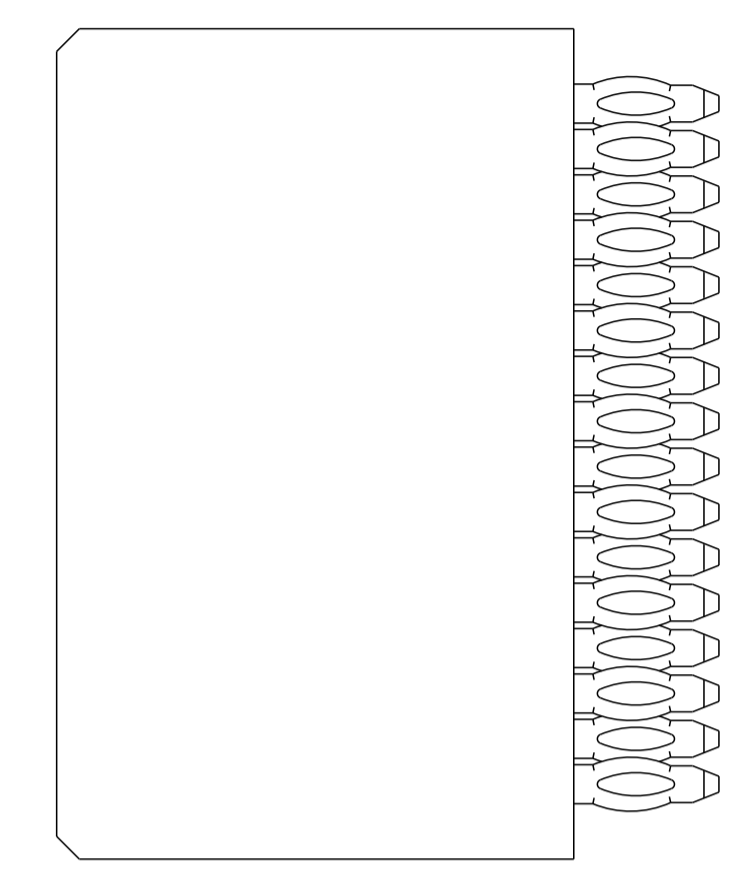
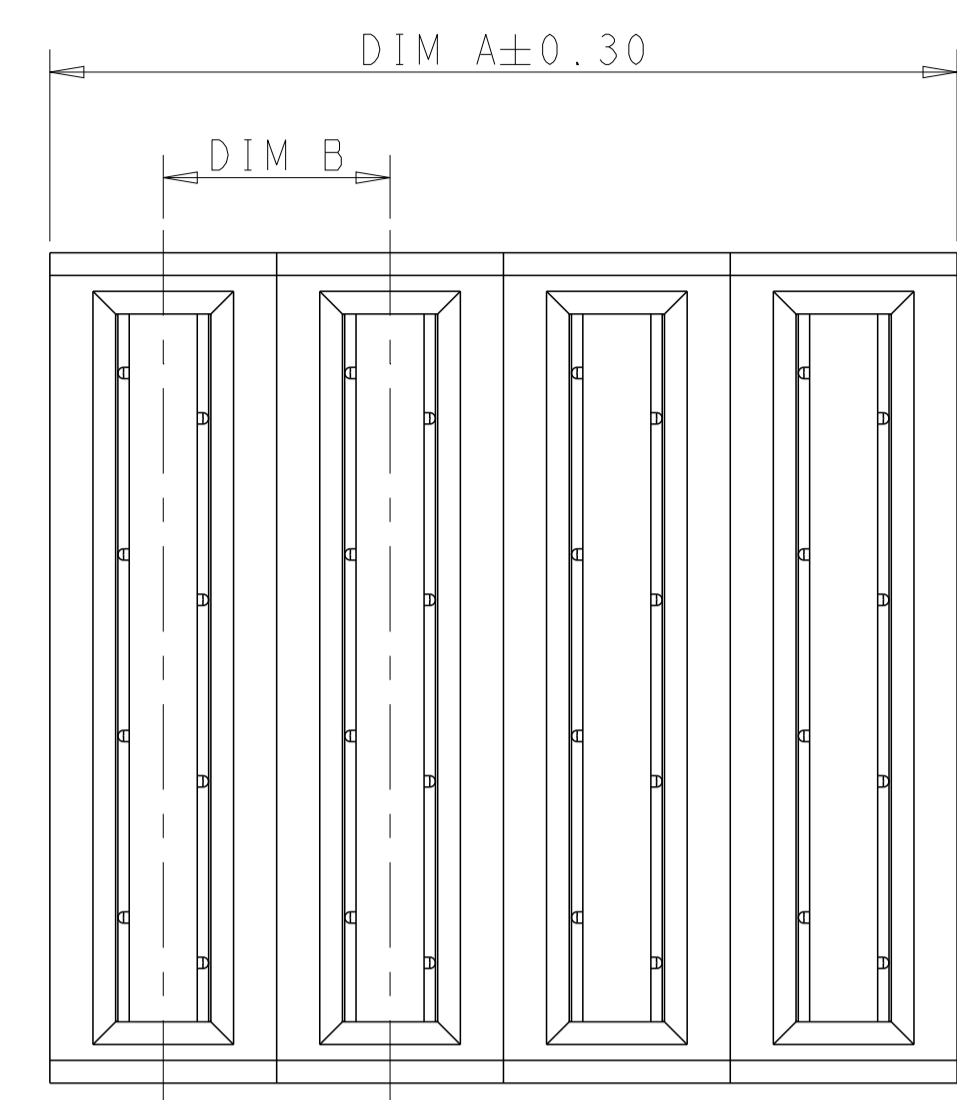
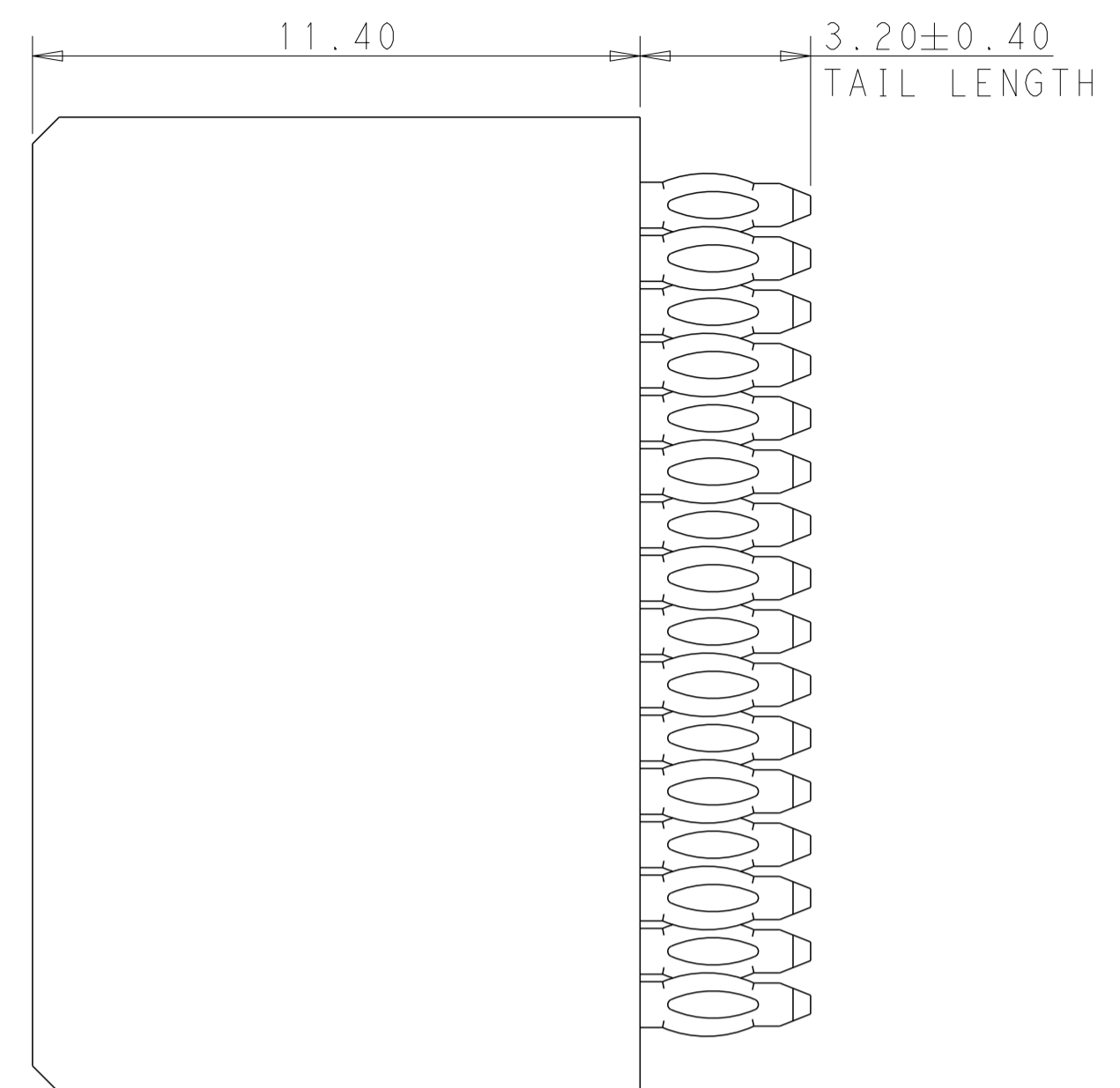
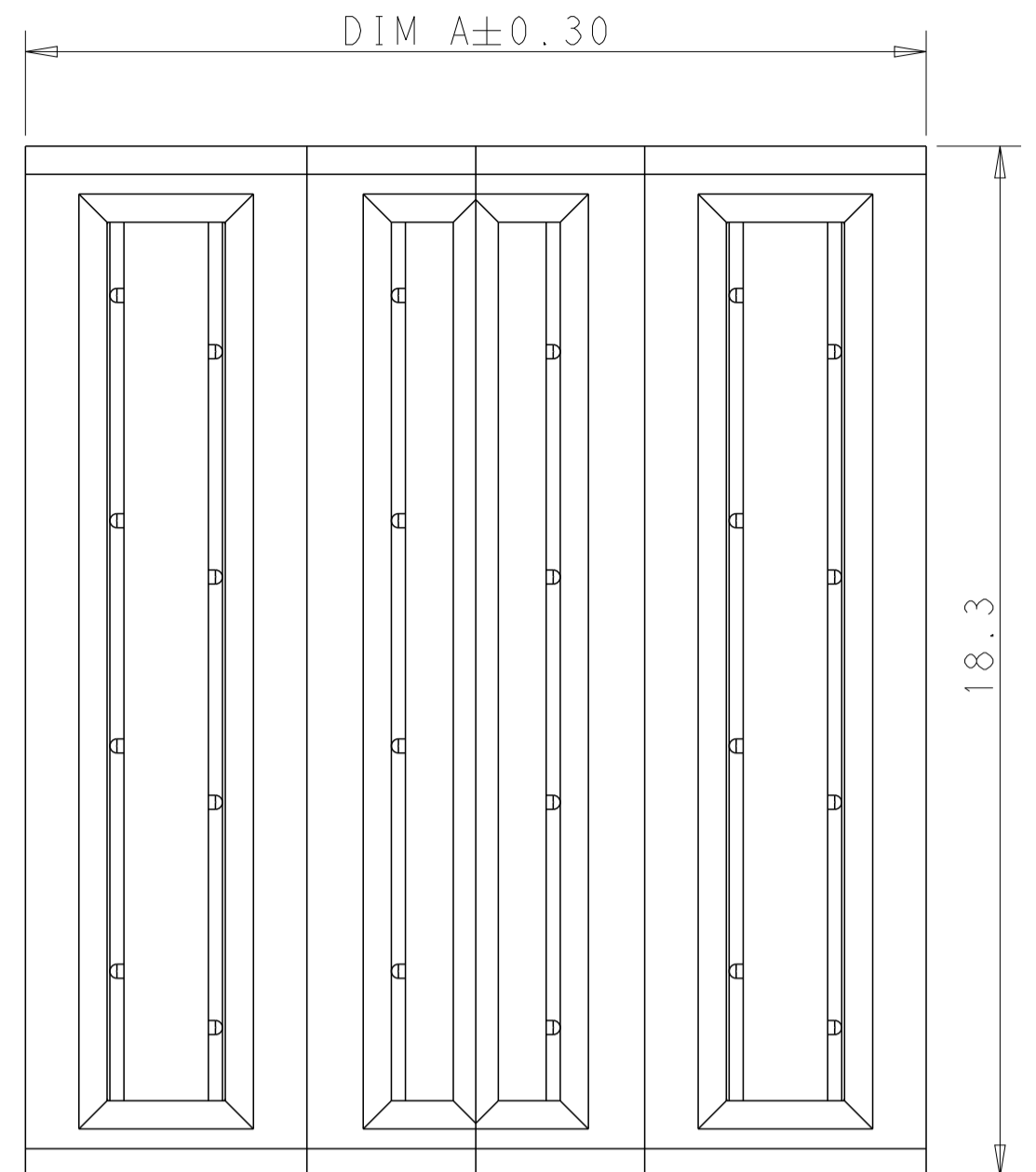
PART NUMBER	POWER	
	LP2	LP1
2204423-6	LM1	LM1
	LM2	LM2
4 LP		



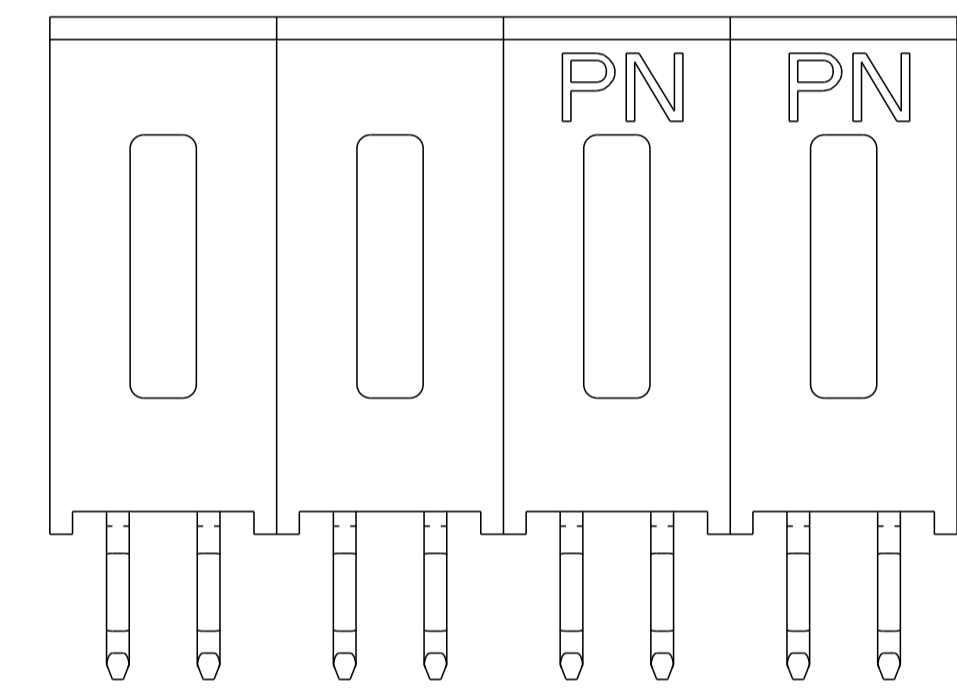
LP TOP CONTACT MFBL PRESS FIT	LM1
LP BOTTOM CONTACT MFBL PRESS FIT	LM2
DESCRIPTION	IDENTIFIER

THIS DRAWING IS A CONTROLLED DOCUMENT.		DWN THOMAS ZHAO 28JUN2013	TE Connectivity
DIMENSIONS: mm		CHK SUNY ZHAO 28JUN2013	
TOLERANCES UNLESS OTHERWISE SPECIFIED:		APVD SUNY ZHAO 28JUN2013	NAME Customer Drawing VERTICAL RECEPTACLE PRESS FIT MUTIL-BEAM HD W/GUIDELESS
0 PLC ±0.4 1 PLC ±0.4 2 PLC ±0.25 3 PLC ±0.15 4 PLC ±0.15 ANGLES ±°		PRODUCT SPEC	
MATERIAL		APPLICATION SPEC	RESTRICTED TO
FINISH		WEIGHT	SIZE A1
CUSTOMER DRAWING		SCALE 8:1	SHEET 4 OF 6
		REV A8	

LOC	DIST	REV	DATE	BY	CHK	APPV
-	-	1	28JUN2013	SUNY ZHAO	THOMAS ZHAO	
-	-	2	28JUN2013	SUNY ZHAO	SUNY ZHAO	



PART NUMBER	POWER			
	P2	M2	M1	P1
2204423-7	PM	MM	MM	PM
IP+2MP+IP				



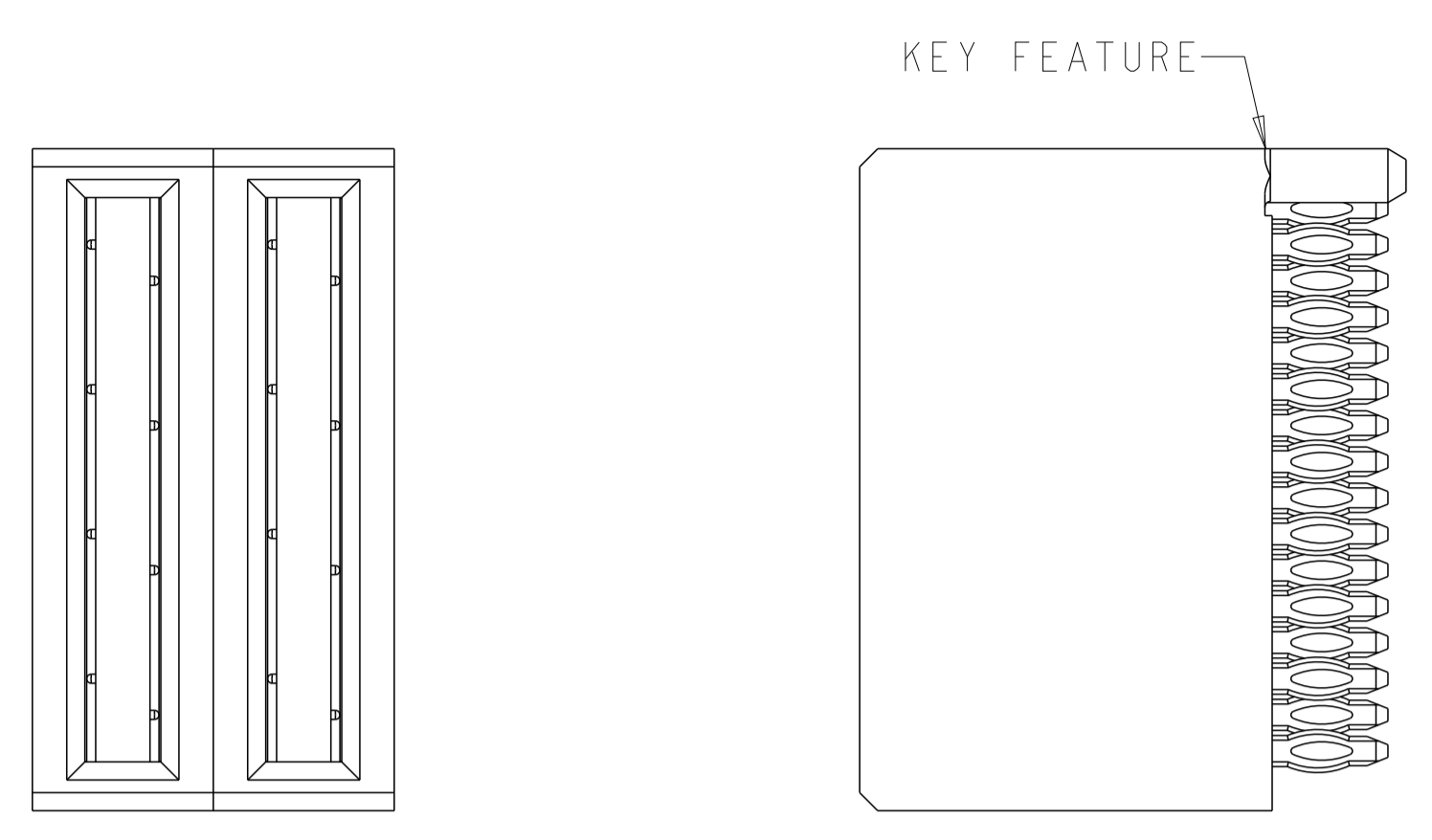
PART NUMBER: 1-2204423-1
PCB LAYOUT REFER: 2204423-3

PART NUMBER	POWER			
	P4	P3	P2	P1
1-2204423-1	PM	PM	PN	PN
4P				

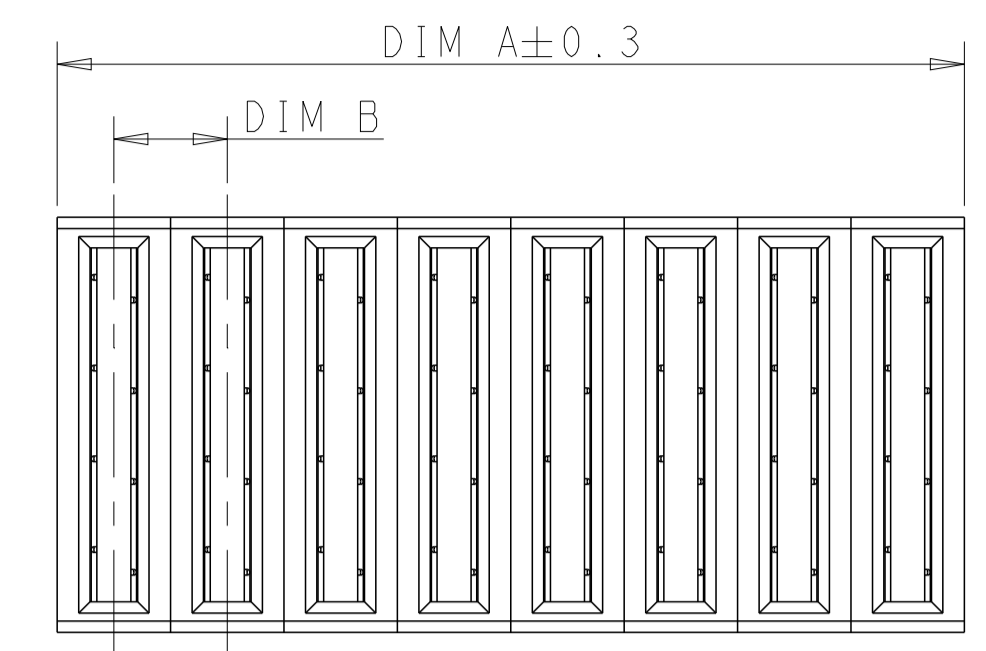
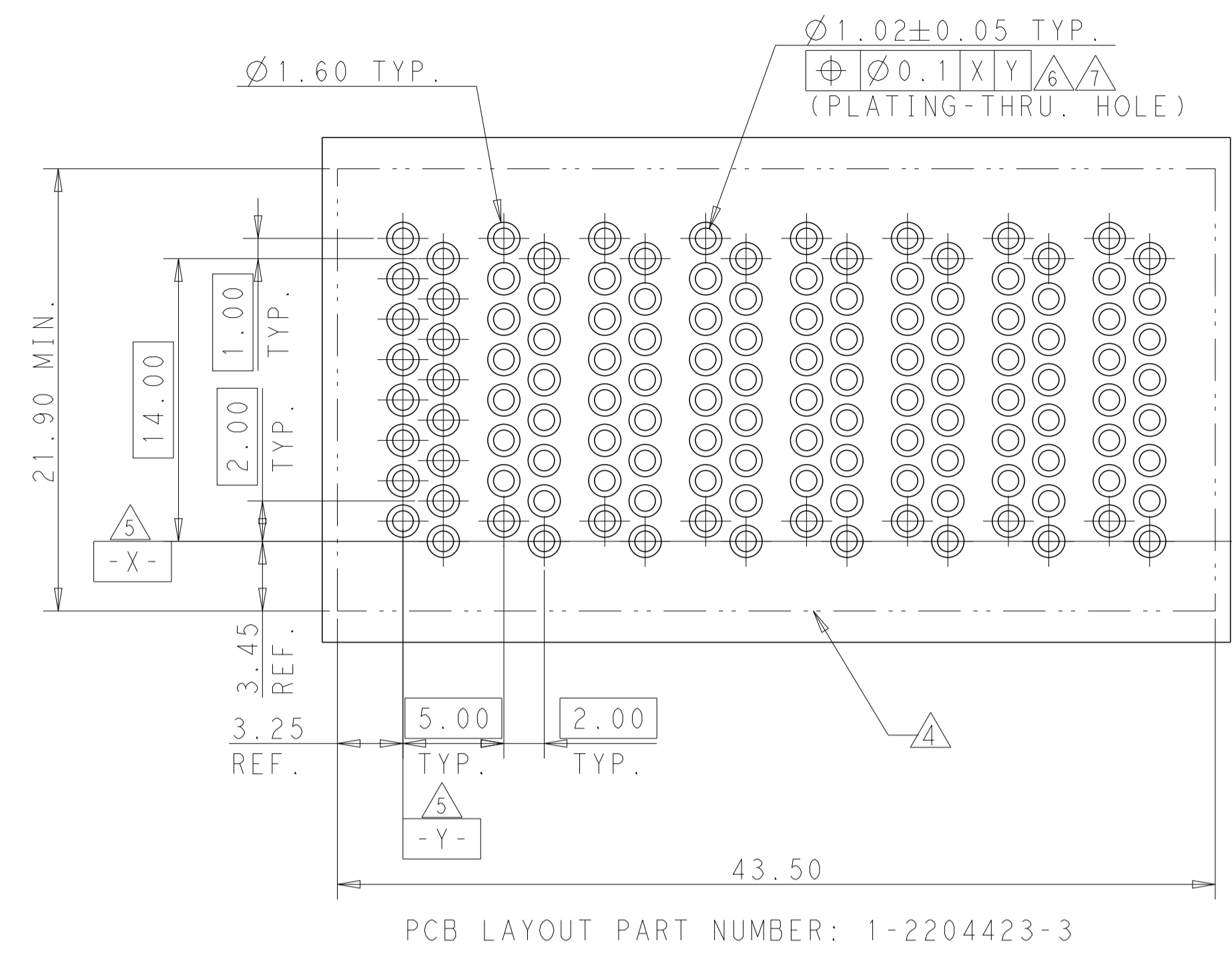
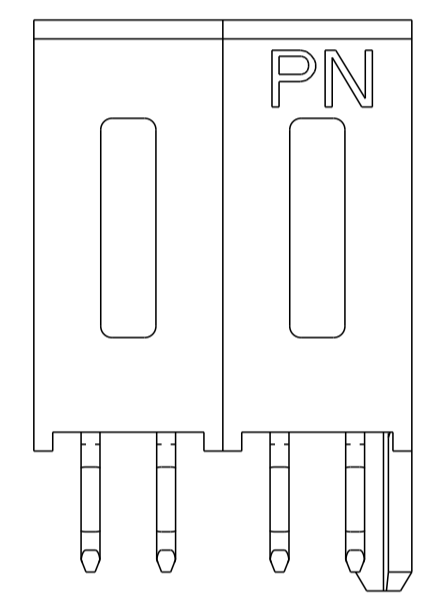
PCB LAYOUT PART NUMBER: 2204423-7

THIS DRAWING IS A CONTROLLED DOCUMENT.		DWN THOMAS ZHAO 28JUN2013 CHK SUNY ZHAO 28JUN2013 APVD SUNY ZHAO 28JUN2013	TE Connectivity Customer Drawing VERTICAL RECEPTACLE PRESS FIT MULTIBEAM HD W/GUIDELESS
DIMENSIONS: mm TOLERANCES UNLESS OTHERWISE SPECIFIED: 0 PLC ±0.4 1 PLC ±0.4 2 PLC ±0.25 3 PLC ±0.15 4 PLC ±0.15 ANGLES ±° FINISH ±	MATERIAL: - WEIGHT: - CUSTOMER DRAWING	NAME: SUNY ZHAO PRODUCT SPEC: - APPLICATION SPEC: - SIZE: A1 CAGE CODE: - DRAWING NO: C=2204423 SCALE: 8:1 SHEET: 5 of 6 REV: A8	

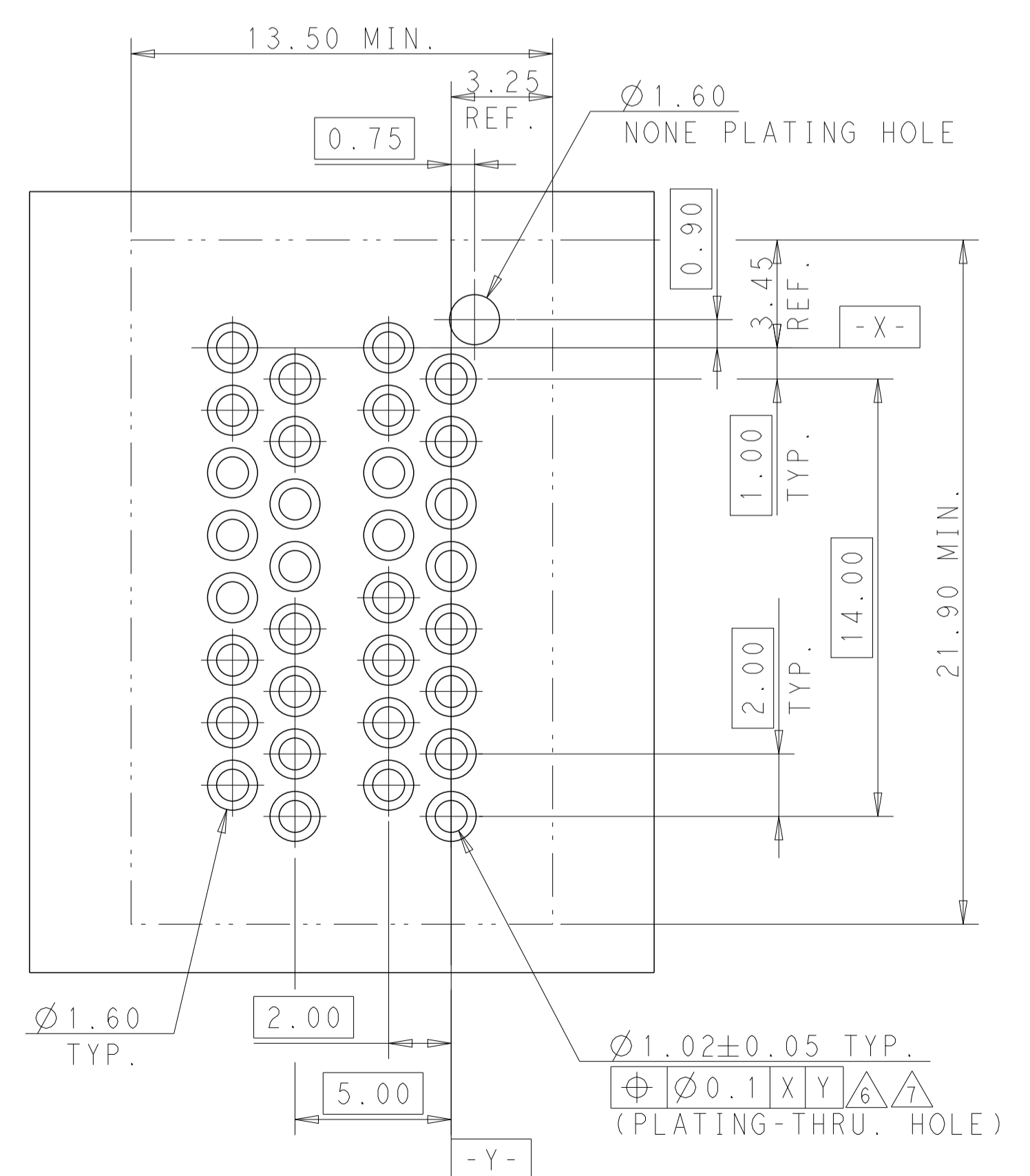
REVISONS		DATE	DMN	APVD
P	LTN			
-	-	SEE SHEET 1	-	-



PART NUMBER	POWER	
	P2	P1
1-2204423-2	PM	PN
2P		



PART NUMBER	POWER							
	P8	P7	P6	P5	P4	P3	P2	P1
1-2204423-3	PM	PM	PM	PM	PM	PM	PM	PM
8P								



THIS DRAWING IS A CONTROLLED DOCUMENT.

DIMENSIONS:	TOLERANCES UNLESS OTHERWISE SPECIFIED:	DMN THOMAS_ZHAO 28JUN2013	CHK SUNY_ZHAO 28JUN2013	APVD SUNY_ZHAO 28JUN2013	NAME
mm	0 PLC ±0.4 1 PLC ±0.4 2 PLC ±0.75 3 PLC ±1.0 4 PLC ±1.5 ANGLES ±°	SUNY_ZHAO 28JUN2013			Customer Drawing
MATERIAL	FINISH	WEIGHT	SIZE A1	CAGE CODE	DRAWING NO. C=2204423
CUSTOMER DRAWING		SCALE 8:1	SHEET 6 OF 6	REV A8	RESTRICTED TO

TE Connectivity

MUTIL-BEAM HD W/GUIDELESS