

**MICRO SWITCH**  
a Honeywell Division

FED. MF6 CODE 91929

**SWITCH - BASIC**

CATALOG LISTING

**YA-2RQ1250-A2**

**ADG9219**

CATALOG LISTING

**YA-2RQ1250-A2**

PAGE 1 OF 1

**M**

ISSUE 5

REPLACES X114681-YA

RELEASE NO. 207278

CHECK

01OCT09

CMH

01OCT09

27 JAN 03

SAV

27 JAN 03

SAV

27 JAN 03

SAV

27 JAN 03

SAV

27 JAN 03

SAV

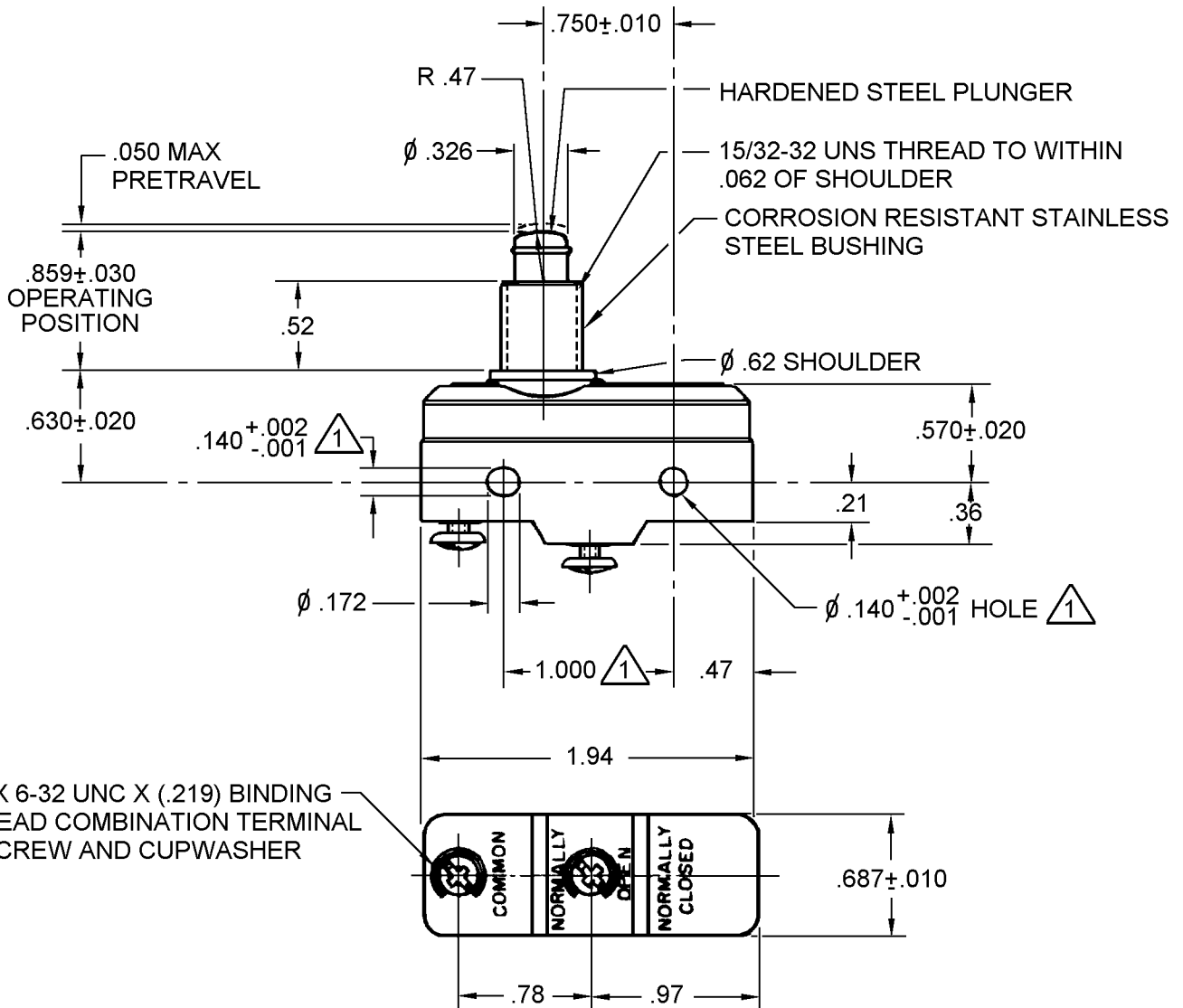
27 JAN 03

SAV

27 JAN 03

SAV

27 JAN 03



2X 6-32 UNC X (.219) BINDING HEAD COMBINATION TERMINAL SCREW AND CUPWASHER

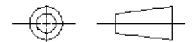
**NOTES**

- ① MOUNTING HOLES WILL ACCEPT PINS OR SCREWS OF  $\phi .139$  MAX ON  $1.000 \pm .002$  CENTERS
- 2 - HIGH TEMPERATURE PHENOLICS
- 3 - SWITCH WILL WITHSTAND TEMPERATURE OF 250°F

ANSI Y14.5M-1982 APPLIES

THIS DRAWING COVERS A PROPRIETARY ITEM AND IS THE PROPERTY OF MICRO SWITCH, A DIVISION OF HONEYWELL. THIS DRAWING IS NOT TO BE COPIED OR USED WITHOUT THE APPROVAL OF MICRO SWITCH.

THIRD ANGLE PROJECTION



CHARACTERISTICS	ELECTRICAL DATA	SCALE FULL	DO NOT SCALE PRINT
OPERATING FORCE ----- 14 - 22 OZ	CONTACT ARRANGEMENT S P N O	UNLESS OTHERWISE SPECIFIED TOLERANCES ARE	
RELEASE FORCE ----- 10 OZ MIN	L23 20A 125, 250 OR 480 VAC 10A 125 VAC "L"		
DIFFERENTIAL TRAVEL ----- .002 - .0075	L288 1HP 125 VAC, 2HP 250 VAC	TWO PLACE (.00) ±.015	
OVERTRAVEL ----- .219 MIN	L308 1/2A 125 VDC, 1/4A 250 VDC	THREE PLACE (.000) ±.005	
	L315	ANGLES ±	
	L319	WEIGHT	



20(3)A 250V T85 5E4

RASTER

DRAWN

CSL 27 JAN 03