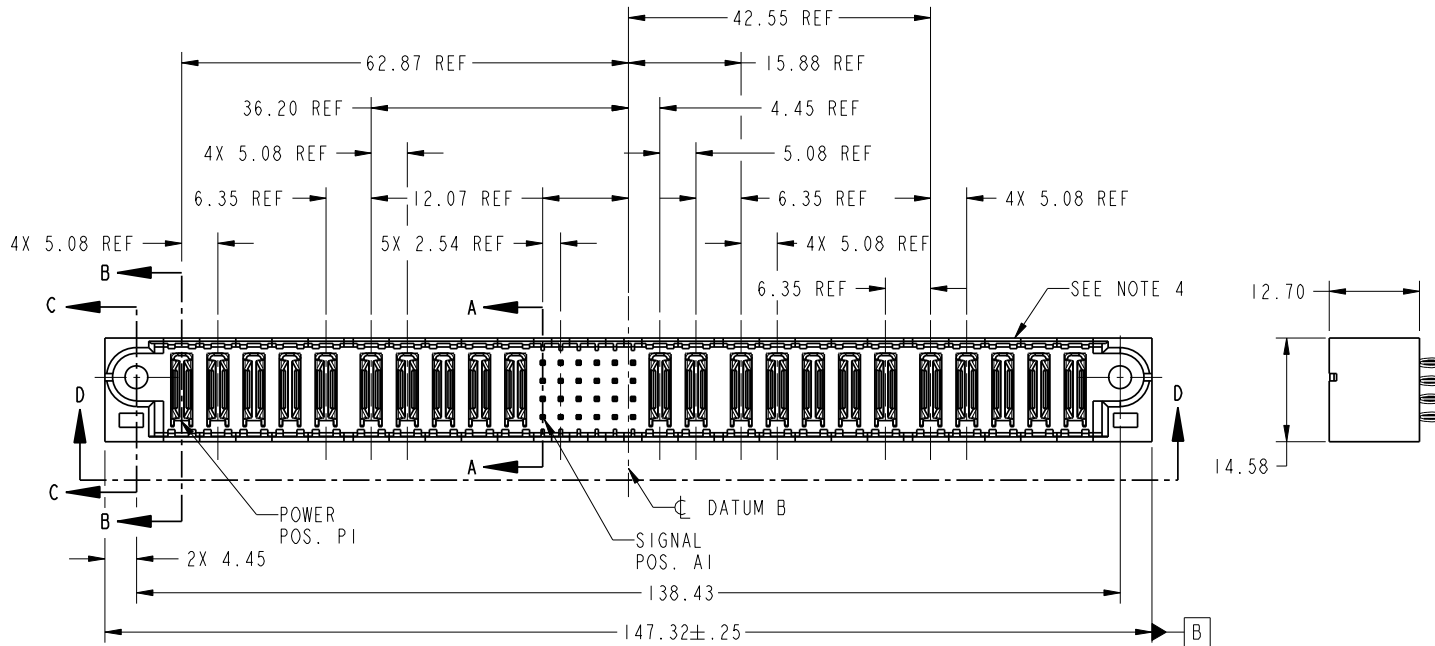


Tous droits strictement reserves. Reproduction ou communication a des tiers interdite sous quelque forme que ce soit sans autorisation écrite du propriétaire. Propriete de c FCI. Droits de reproduction FCI.



All rights strictly reserved. Reproduction or issue to third parties in any form whatever is not permitted without written authority from the proprietor. Property of FCI. Copyright FCI.

PRODUCT NO.	ROWS	POWER										SIGNAL						POWER						E2					
		E1	P1	P2	P3	P4	P5	P6	P7	P8	P9	P10	1	2	3	4	5	6	P11	P12	P13	P14	P15		P16	P17	P18	P19	P20
51952-120-- NOTE ③	D C B A		PC	PC	PC	PC	PC	PC	PC	PC	PC	G	G	G	G	G	G	PC	PC	PC	PC	PC	PC	PC	PC	PC	PC	PC	



CODE	DIM "M" MATING LENGTH	CONTACT TYPE
PC	N/A	POWER
G	6.86	SIGNAL
K	5.59	SIGNAL

mat'l code				tolerances unless otherwise specified				CUSTOMER		FCI	
lfr	ecn no.	dr	date	linear	0.X ± 0.3			COPY		www.fciconnect.com	
A	DG07-0221	JC	06/12/07		0.XX ± 0.13			projection		title	
B	DG07-0289	JC	07/16/07		0.XXX ± 0.051					10P + 24S + 12P VERTICAL PRESSFIT HEADER	
C	DG07-0328	JC	08/20/07	angles	0° ± 2°					product family	
D	DG07-0494	JUL1A	09/10/07	dr	Jerome Chen	06/12/07	MM		PwrBlade		code
				enrg	Jerome Chen	06/12/07	1:1		size		213
				chr	Gary Hsieh	06/12/07			dwg no		sheet
				appd	Joseph Hsia	06/12/07			A		1 of 4
sheet index	revision	D	D	D	D						
	sheet	1	2	3	4						

cage code 22526

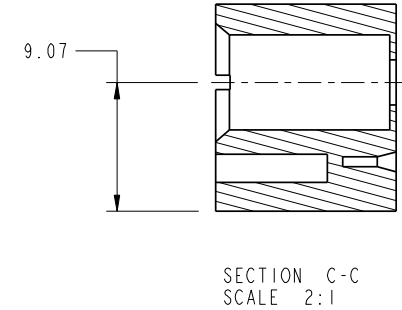
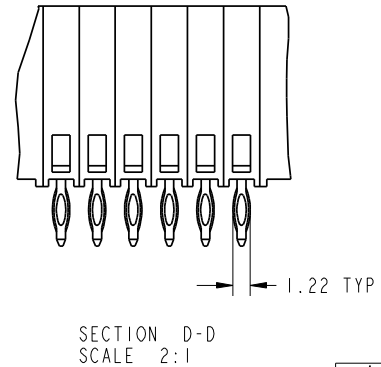
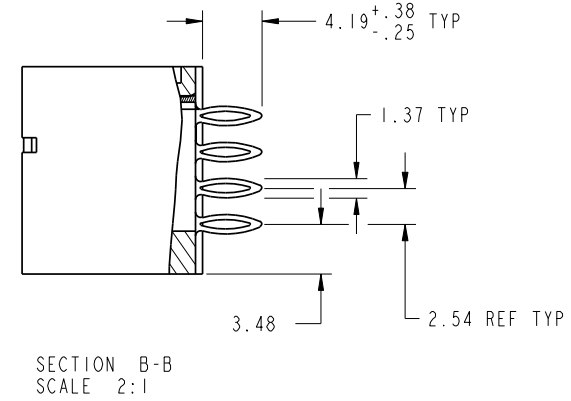
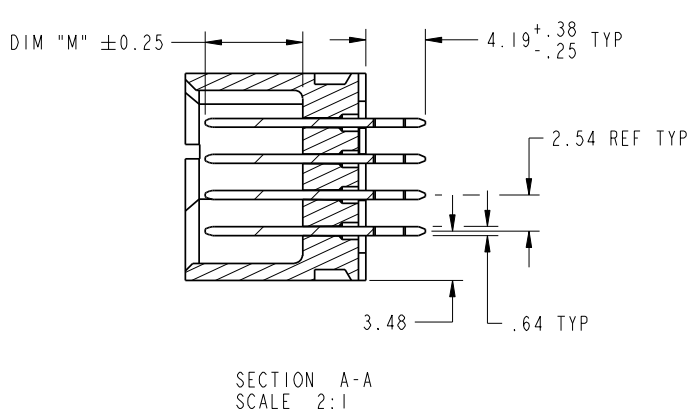
Pro/E

Tous droits strictement reserves. Reproduction ou communication a des tiers interdite sous quelque forme que ce soit sans autorisation ecrite du proprietaire. Propriete de c FCI. Droits de reproduction FCI.



All rights strictly reserved. Reproduction or issue to third parties in any form whatever is not permitted without written authority from the proprietor. Property of FCI. Copyright FCI.

PRODUCT NUMBER
51952-120__
NOTE 3



mat'l code				tolerances unless otherwise specified		CUSTOMER		FCI	
lfr	ecr no.	dr	date	linear	0.X ±0.3	COPY		www.fciconnect.com	
D					0.XX ±0.13	projection		title	
				angles	0.XXX ±0.051			10P + 24S + 12P VERTICAL PRESSFIT HEADER	
				dr	Jerome Chen 06/12/07			product family PwrBlade code	
				enrg	Jerome Chen 06/12/07	scale		size	
				chr	Gary Hsieh 06/12/07	1:1		dwg no	
				appd	Joseph Hsia 06/12/07			51952-120	
sheet index	revision sheet							213	
								sheet 2 of 4	

cage code 22526

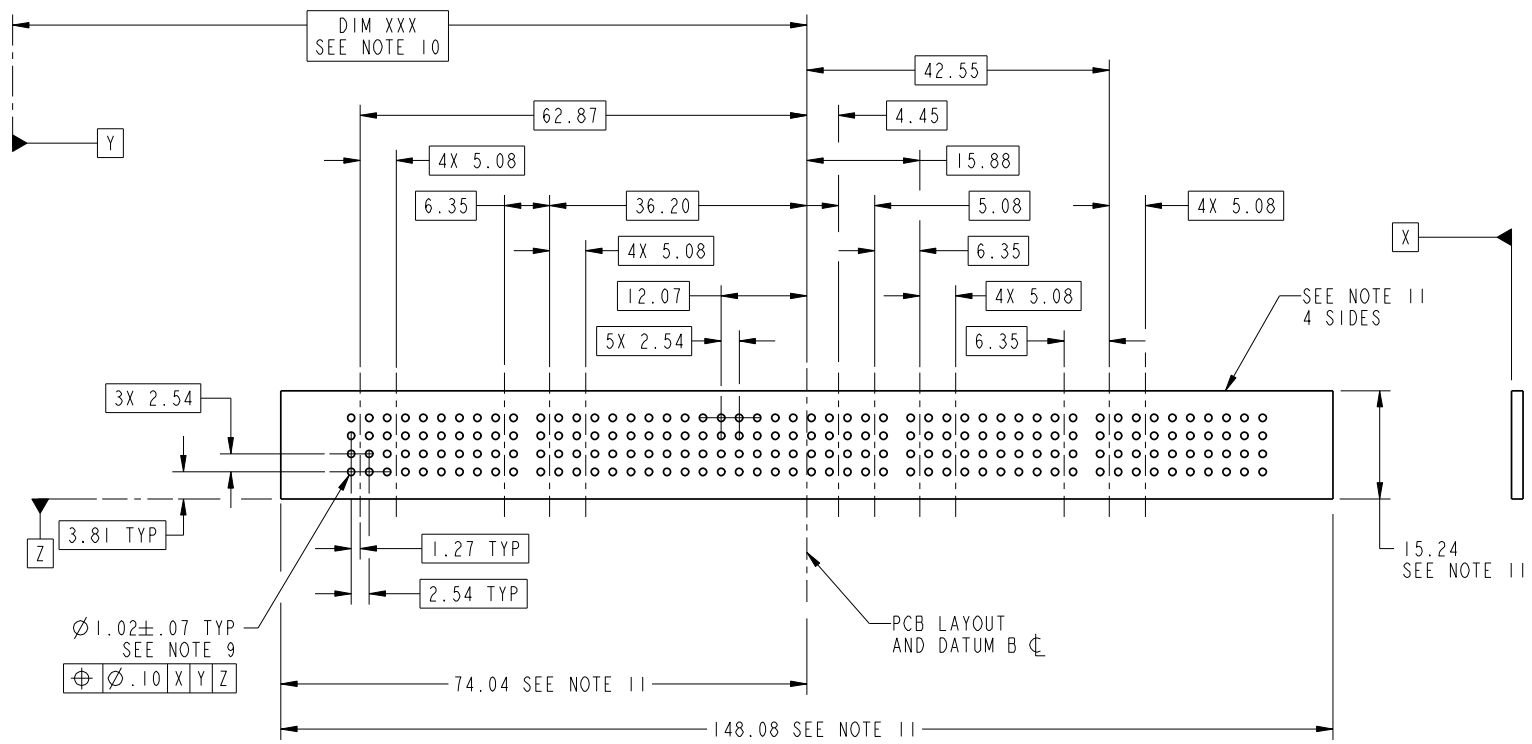
Pro/E

Tous droits strictement reserves. Reproduction ou communication a des tiers interdite sous quelque forme que ce soit sans autorisation écrite du propriétaire. Propriété de c FCI. Droits de reproduction FCI.



All rights strictly reserved. Reproduction or issue to third parties in any form whatever is not permitted without written authority from the proprietor. Property of FCI. Copyright FCI.

PRODUCT NUMBER
51952-120__
NOTE 3



RECOMMENDED PCB LAYOUT

mat'l code				tolerances unless otherwise specified		CUSTOMER	
lfr	ecn no.	dr	date	linear	0.X ±0.3	COPY	www.fciconnect.com
D					0.XX ±0.13	projection	
				angles	0.XXX ±0.051		title 10P + 24S + 12P VERTICAL PRESSFIT HEADER
				dr	Jerome Chen 06/12/07	MM	product family PwrBlade
				enrg	Jerome Chen 06/12/07	1:1	code 213
				chr	Gary Hsieh 06/12/07	size	sheet 3 of 4
				appd	Joseph Hsia 06/12/07	A 51952-120	
sheet index	revision sheet						

cage code 22526

Pro/E

Tous droits strictement reserves. Reproduction ou communication a des tiers interdite sous quelque forme que ce soit sans autorisation ecrite du proprietaire. Propriete de c FCI. Droits de reproduction FCI.



All rights strictly reserved. Reproduction or issue to third parties in any form whatever is not permitted without written authority from the proprietor. Property of FCI. Copyright FCI.

PRODUCT NUMBER
51952-120--
NOTE 3

NOTES:

1. DIMENSIONS AND TOLERANCES ARE IN ACCORDANCE WITH ASME Y14.5M, 1994 UNLESS OTHERWISE SPECIFIED.

CONNECTOR NOTES:

- 2 HOUSING MATERIAL: UL 94 V-0 GLASS FILLED HIGH-TEMP THERMOPLASTIC
POWER CONTACT MATERIAL: COPPER ALLOY
SIGNAL PIN MATERIAL: COPPER ALLOY
- 3. PLATING:
51952-120 ,51952-120LF PLATING SPEC. WAS SHOWN IN THE PRINT OF 10064183.

- 4 MANUFACTURER'S NAME, P/N, AND DATE CODE TO APPEAR ON THIS SURFACE.
- 5. PRODUCT SPECIFICATION GS-12-149.
APPLICATION SPECIFICATION BUS-20-067.

6. PACKAGED IN TRAYS.

PCB NOTES:

- 7. ALL HOLE DIAMETERS ARE FINISHED HOLE SIZE.
- 8. MOUNTING HOLES, WHERE APPLICABLE, ARE UNPLATED.

- 9 $\varnothing 1.151 \pm 0.025$ DRILLED HOLES PLATED WITH
0.008 MIN SnPb OR Sn OVER .001 [0.03]
TO 0.08 Cu PLATING TO ACHIEVE
 $\varnothing 1.02 \pm .07$ HOLE.

- 10 "DIM XXX" TO BE DETERMINED BY THE CUSTOMER.

- 11 CONNECTOR KEEP-OUT ZONE.

mat'l code				tolerances unless otherwise specified		CUSTOMER		FCI		www.fciconnect.com	
lfr	ecr no.	dr	date	linear	0.X ± 0.3	COPY		projection		title	
D					0.XX ± 0.13	MM				10P + 24S + 12P VERTICAL PRESSFIT HEADER	
				angles	0° ± 2°	scale		product family		code	
				dr	Jerome Chen 06/12/07	1:1		PwrBlade		213	
				enrg	Jerome Chen 06/12/07			size		sheet	
				chr	Gary Hsieh 06/12/07			A		4 of 4	
				appd	Joseph Hsia 06/12/07			51952-120			
sheet index		revision sheet									

cage code 22526