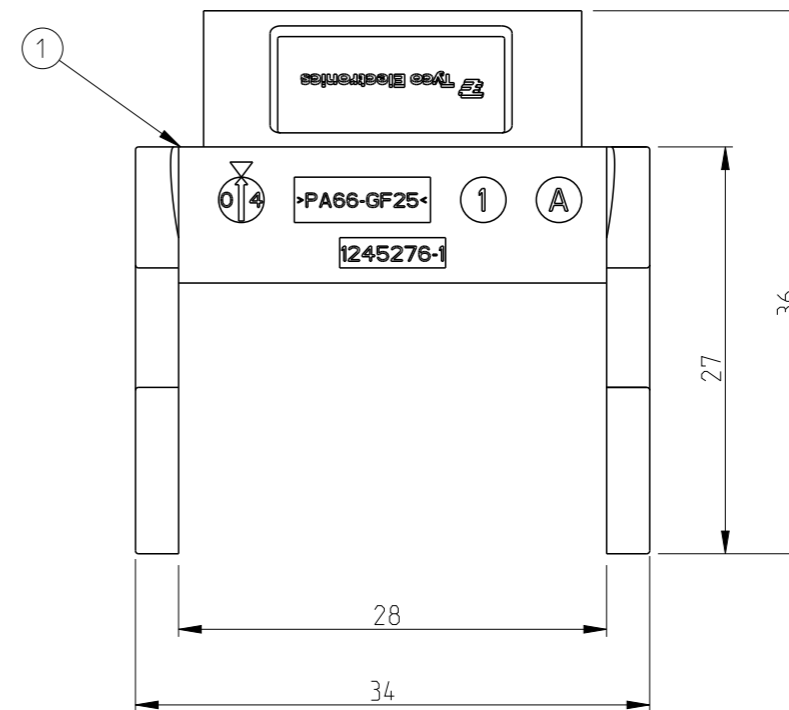
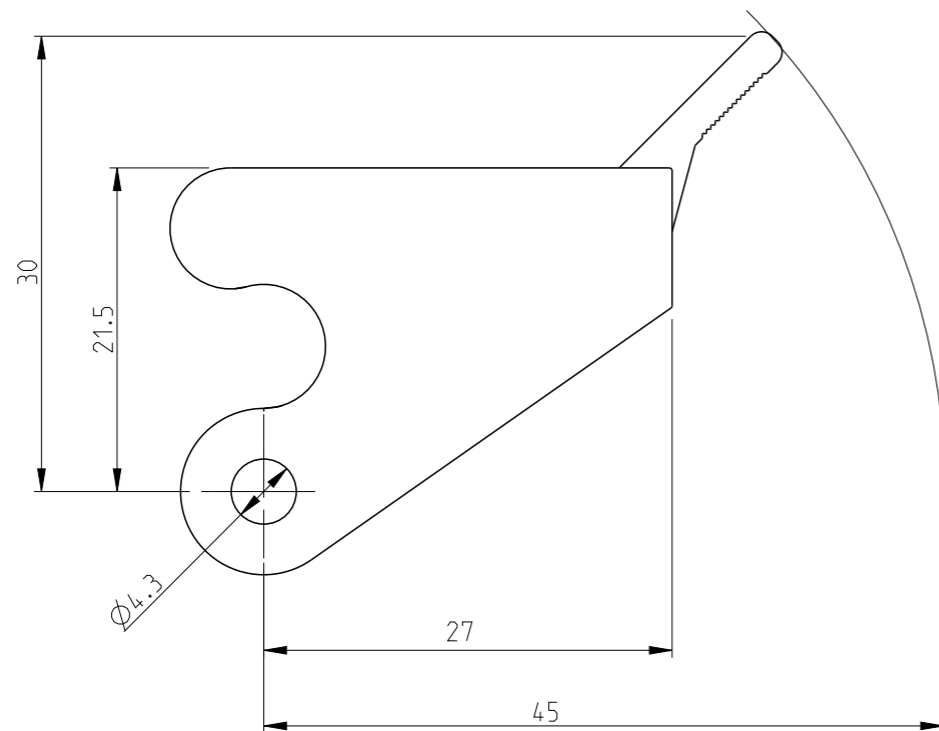


REVISIONS

P	LTR	DESCRIPTION	DATE	DWN	APVD
	A3	REVISED PER ECO-11-005107	24MAR2011	HMR	MM
	A4	REVISED PER ECR-19-002101	14AUG2020	SB	MKO



PN: 0-2 as shown

Packaging quantity: 100 pieces

1	HG-Q. SIDE CLIP	SIDE CLIP	PA66-GF25	BLACK		1
0-2	ORDERING TEXT	DESCRIPTION	MATERIAL	SURFACE	NOTES	ITEM

THIS DRAWING IS A CONTROLLED DOCUMENT.

DIMENSIONS: mm	TOLERANCES UNLESS OTHERWISE SPECIFIED: n. ISO 8015: n. ISO 2768-mH-E: n. DIN 16901-120	DWN Schneider 11.08.06																																																								
	<table border="1"> <tr> <td>0 PLC</td> <td>±</td> </tr> <tr> <td>1 PLC</td> <td>±</td> </tr> <tr> <td>2 PLC</td> <td>±</td> </tr> <tr> <td>3 PLC</td> <td>±</td> </tr> <tr> <td>4 PLC</td> <td>±</td> </tr> <tr> <td>ANGLES</td> <td>±1°</td> </tr> <tr> <td>MATERIAL</td> <td>FINISH</td> <td>CHK T. Schnurpfeil 11.08.06</td> <td>NAME SIDE CLIP HG-Q8</td> </tr> <tr> <td></td> <td></td> <td>APVD T. Schnurpfeil 11.08.06</td> <td>PRODUCT SPEC 108-74052</td> </tr> <tr> <td></td> <td></td> <td></td> <td>APPLICATION SPEC 114-74064</td> </tr> <tr> <td></td> <td></td> <td></td> <td>WEIGHT 0.001 KG</td> </tr> <tr> <td></td> <td></td> <td></td> <td>SIZE A3</td> </tr> <tr> <td></td> <td></td> <td></td> <td>CAGE CODE 00779</td> </tr> <tr> <td></td> <td></td> <td></td> <td>DRAWING NO C=1245276</td> </tr> <tr> <td></td> <td></td> <td></td> <td>RESTRICTED TO</td> </tr> <tr> <td></td> <td></td> <td></td> <td>SCALE 2:1</td> </tr> <tr> <td></td> <td></td> <td></td> <td>SHEET 1 OF 1</td> </tr> <tr> <td></td> <td></td> <td></td> <td>REV A4</td> </tr> </table>	0 PLC		±	1 PLC	±	2 PLC	±	3 PLC	±	4 PLC	±	ANGLES	±1°	MATERIAL	FINISH	CHK T. Schnurpfeil 11.08.06	NAME SIDE CLIP HG-Q8			APVD T. Schnurpfeil 11.08.06	PRODUCT SPEC 108-74052				APPLICATION SPEC 114-74064				WEIGHT 0.001 KG				SIZE A3				CAGE CODE 00779				DRAWING NO C=1245276				RESTRICTED TO				SCALE 2:1				SHEET 1 OF 1				REV A4
		0 PLC		±																																																						
		1 PLC		±																																																						
2 PLC	±																																																									
3 PLC	±																																																									
4 PLC	±																																																									
ANGLES	±1°																																																									
MATERIAL	FINISH	CHK T. Schnurpfeil 11.08.06	NAME SIDE CLIP HG-Q8																																																							
		APVD T. Schnurpfeil 11.08.06	PRODUCT SPEC 108-74052																																																							
			APPLICATION SPEC 114-74064																																																							
			WEIGHT 0.001 KG																																																							
			SIZE A3																																																							
			CAGE CODE 00779																																																							
			DRAWING NO C=1245276																																																							
			RESTRICTED TO																																																							
			SCALE 2:1																																																							
			SHEET 1 OF 1																																																							
			REV A4																																																							