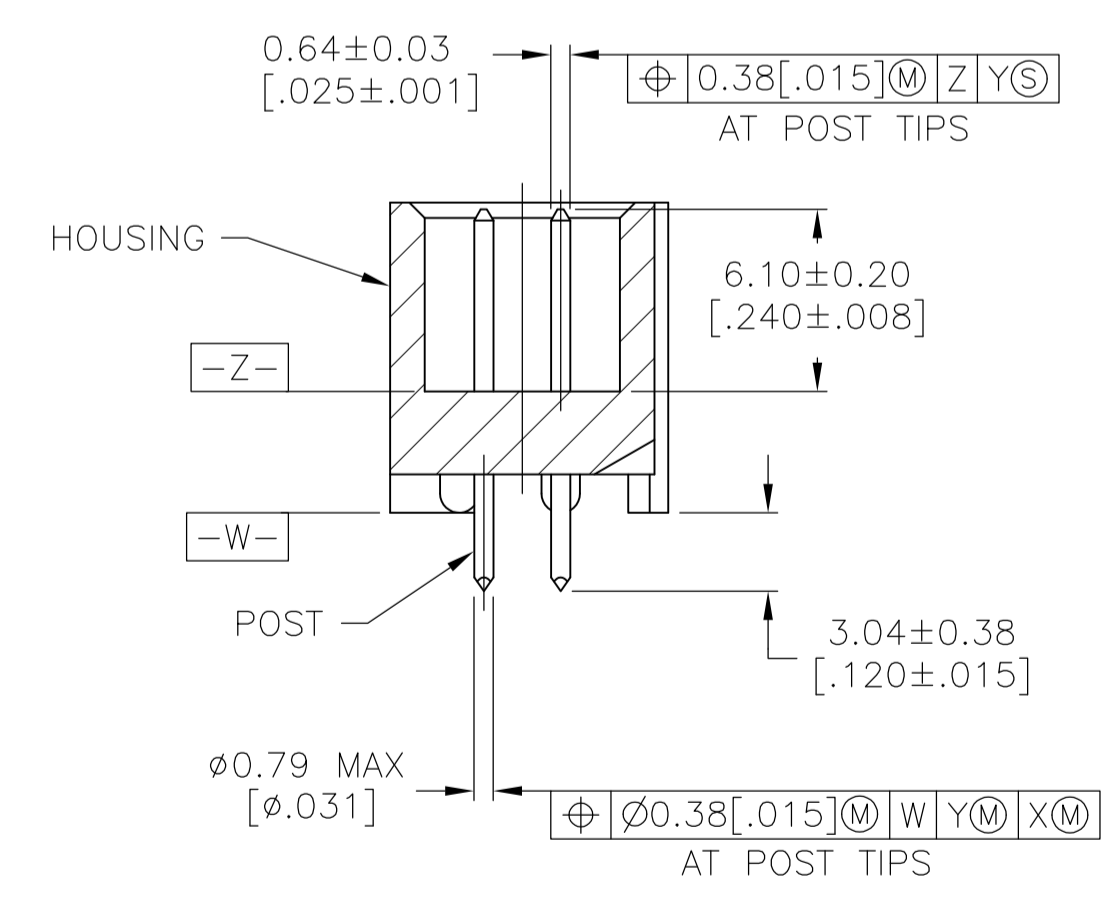
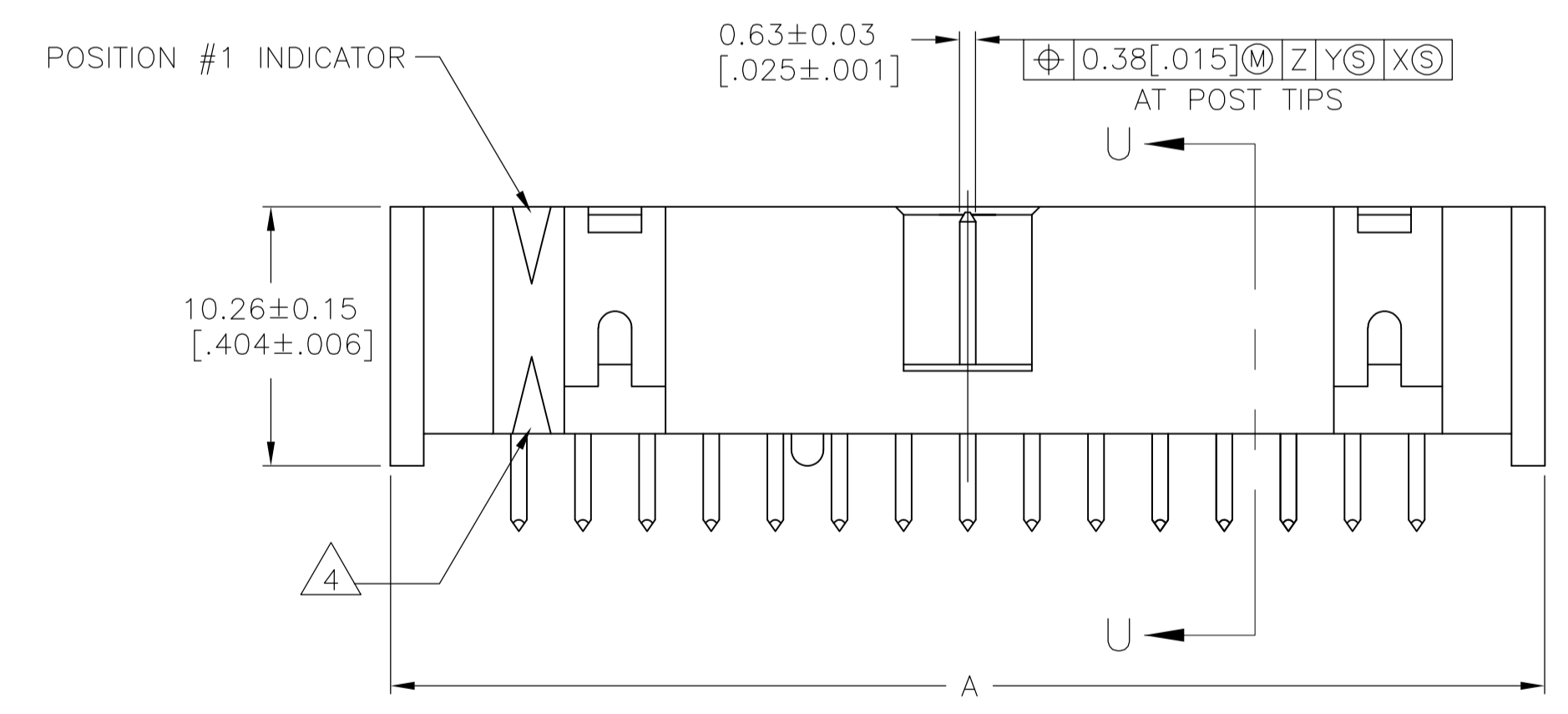
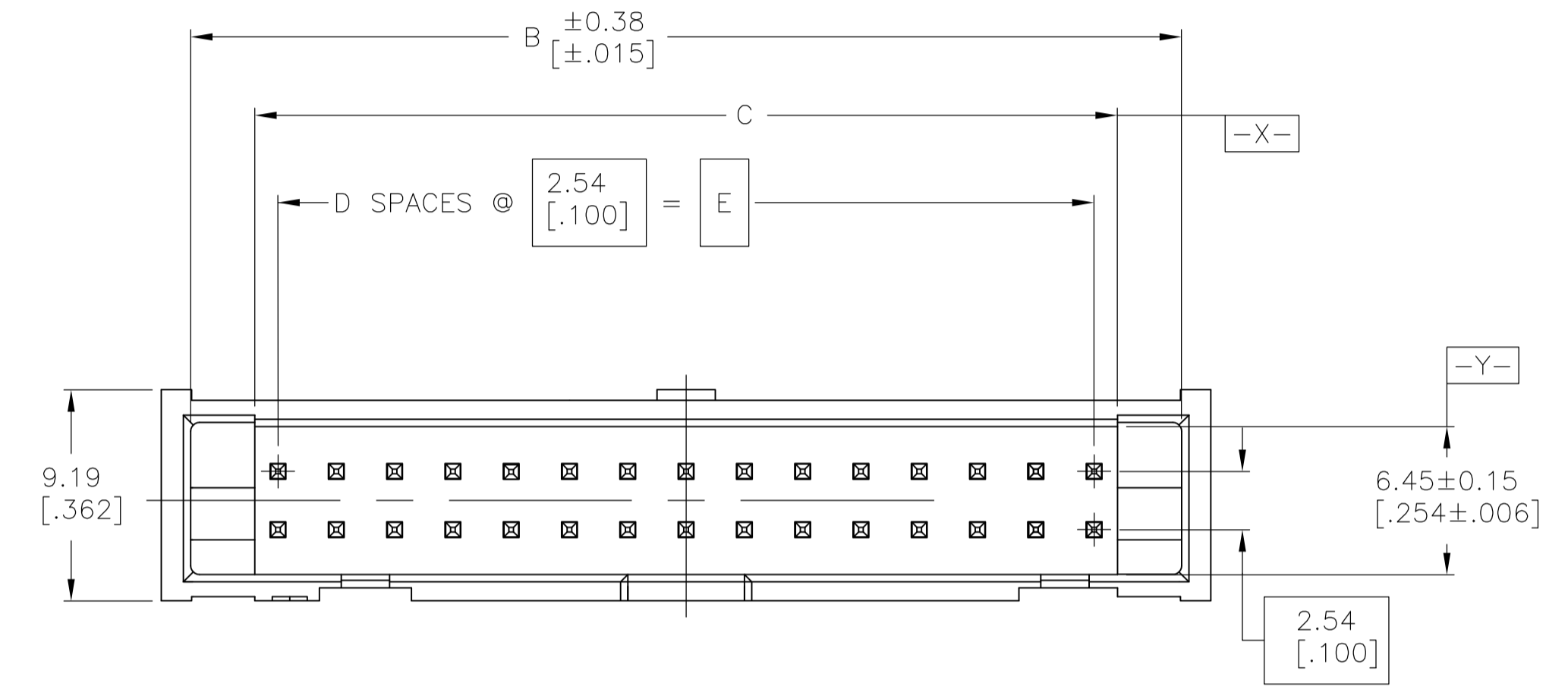
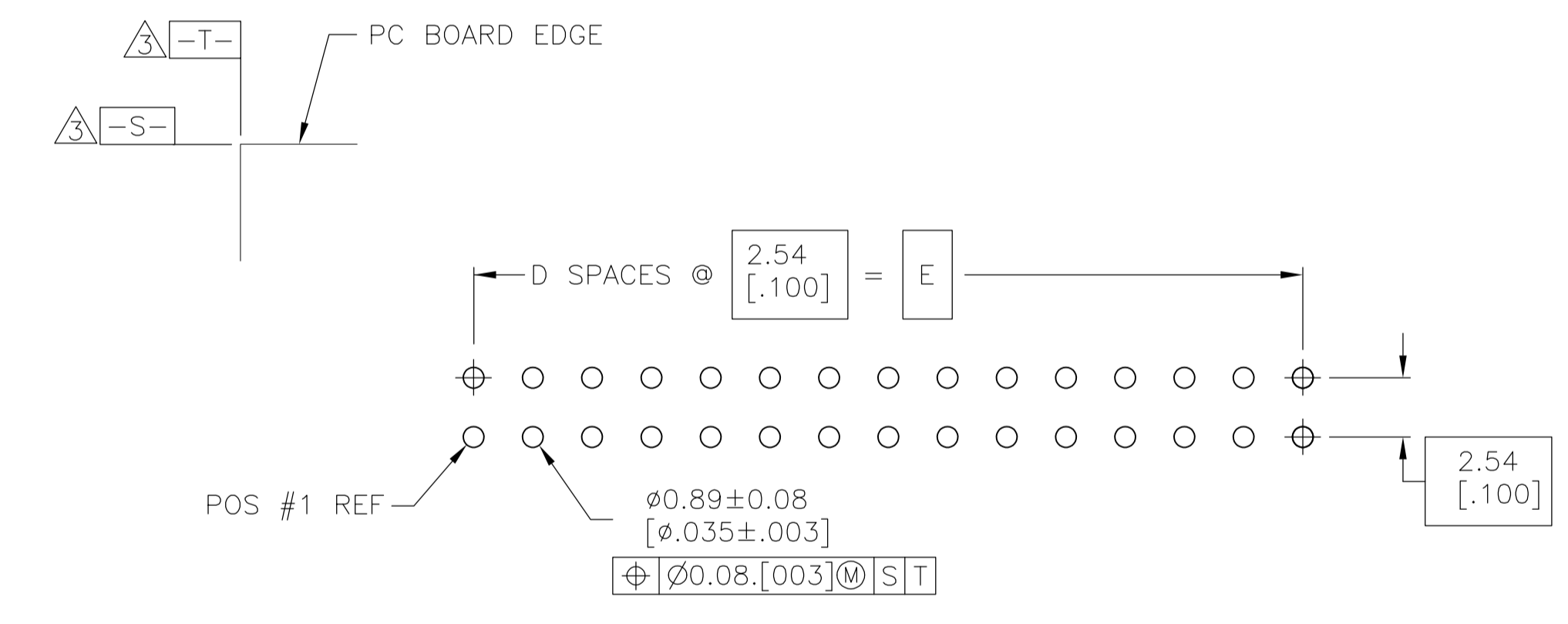


- 1 HOUSING: PCT, UL94V-0, COLOR: BLACK.
POSTS: PHOSPHOR BRONZE.
- 2 GOLD FLASH OVER
PALLADIUM-NICKEL PLATE, 0.00076 [.000030] MIN TOTAL ON MATING AREA,
0.00254 [.000100] MIN TIN PLATE ON SOLDER END, ALL OVER
0.00127 [.000050] MIN NICKEL UNDERPLATE ON ENTIRE POST.
OR
0.00076 [.000030] MIN GOLD PLATE ON MATING AREA,
0.00254 [.000100] MIN TIN PLATE ON SOLDER END, ALL OVER
0.00127 [.000050] MIN NICKEL UNDERPLATE ON ENTIRE POST.
- 3 DATUMS S & T TO BE ESTABLISHED BY CUSTOMER.
- 4 ALTERNATE LOCATION/ORIENTATION FOR POSITION #1 INDICATOR.



SECTION U-U



RECOMMENDED PC BOARD LAYOUT
(VIEWED FROM CONNECTOR SIDE)

35.56 [1.400]	14	37.59 [1.480]	43.08 [1.696]	45.72 [1.800]	30	1888870-1
E	D	C	B	A	NO OF POS	PART NUMBER

THIS DRAWING IS A CONTROLLED DOCUMENT.		DIN B MCMASTER 30JAN07	Tyco Electronics Corporation Harrisburg, PA 17105-3608
DIMENSIONS: mm [INCHES]		CIK S.BOLASH 30JAN07	
TOLERANCES UNLESS OTHERWISE SPECIFIED:		APVD S.BOLASH 30JAN07	NAME
0 PLC ± -	1 PLC ± -	2 PLC ± -	PRODUCT SPEC
3 PLC ± 0.13[.005]	4 PLC ± -	ANGLES ± -	APPLICATION SPEC
MATERIAL	FINISH	WEIGHT	SIZE CASE CODE DRAWING NO
1	2	A1 00779	RESTRICTED TO
CUSTOMER DRAWING		SCALE 4:1	SHEET 1 OF 1 REV C