

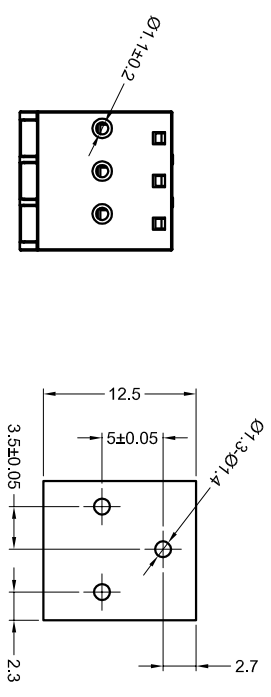
REV ISIONS		DATE	BY	APP'D
NO.	DESCRIPTION			
P	LTR			
A	FIRST VERSION			

NOTES :

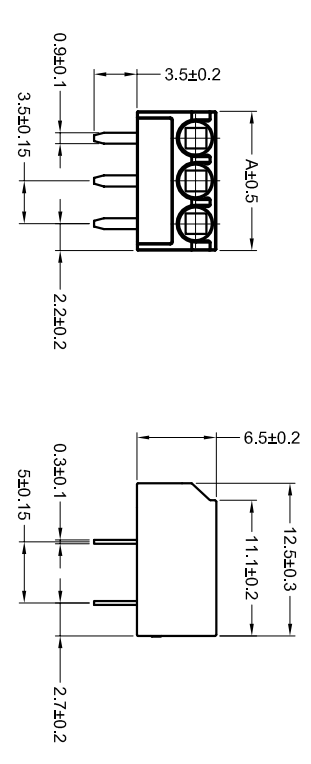
- △ MATERIALS AND FINISH:
 - HOUSING: PA66
 - CONTACTS: COPPER ALLOY, FINISH: TIN OVER NICKEL UNDERPLATE

2. MUST COMPLY WITH DIRECTIVE 2002/95/EC (ROHS)
3. WIRE TYPES AND SIZES ACCEPTED
 WIRE RANGE: 16AWG~20AWG.
 STRIP LENGTH: 7.5mm~8.5mm
4. PACKAGED IN TRAY.
5. CURRENT RATING: 6Amp AC300V.
6. OPERATION TEMPERATURE: -40°C TO +105°C

P/N: *-2834019-*



PCB Layout



COLOR CODE: _____

SERIES CODE _____

PIN No: _____

- | | |
|----------|----------|
| 1=GREEN | 2=2 POSN |
| 2=BLUE | 3=3 POSN |
| 3=BROWN | 4=4 POSN |
| 4=ORANGE | 5=5 POSN |
| 5=GREY | 6=6 POSN |
| 6=RED | 7=7 POSN |
| 7=YELLOW | 8=8 POSN |
| 8=PURPLE | |
| 9=WHITE | |
| 0=BLACK | |

REMARK: THE DIFFERENT COLORS COULD BE COMBINED TO THE NEW CONNECTOR P/NS FOR CUSTOMER REQUEST.

28.90	8 POSN	NO. OF POSITIONS
25.40	7 POSN	
21.90	6 POSN	
18.40	5 POSN	
14.90	4 POSN	
11.40	3 POSN	
7.90	2 POSN	
A		

THIS DRAWING IS A CONTROLLED DOCUMENT.

DESIGNER	CHK	DATE
SHI MING	SHI MING	14JAN2015
DRWING NO.	REV	
109-137093	1	
APP. DATE	APP. DATE	
11-4-137093		
VERSION		

3.50mm Pitch Modular Screwless Conn.

SIZE: 1 CODE: 00779

SCALE: 1:1 SHEET: 1 OF 1 REV: A

STE TE Connectivity