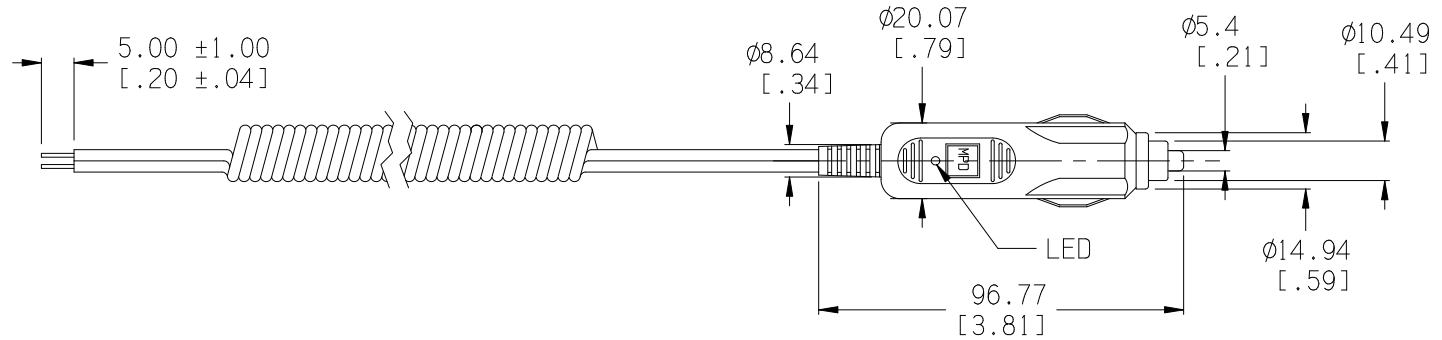



Date	SYM	REVISION RECORD	AUTH	DR.	CK.
1/14/06	A	Added "ROHS COMPLIANT"	T.B.	B.S.	
8/04/07	B	Added wire gauge	T.B.	B.S.	
08/28/14	C	UPDATED TO ROHS 2 COMPLIANT	T.B.	B.S.	



NOTE:  
ROHS 2 COMPLIANT

BILL OF MATERIAL			Tolerance (Inches)	 Memory Protection Devices, Inc. 200 Broad Hollow Road, Farmingdale, New York 11735	Scale	Drawn By B.S. Approved By T.B.
PART #	QTY.	DESCRIPTION				
APP-001	1	CIGARETTE PLUG FOR 21 OR 22.2mm DIA. SOCKETS	Decimal			
FUSE	1	3AG (6.35 x 30mm), 5 AMP.	±.5 (.020)			
CORD	1	20 AWG CORD, STRAND 12/30, NOMINAL OD 3.2x6.4	Fractional ± .8 (.030)	Title 12' AUTO POWER COIL CORD SET WITH SOLDER LEADS		
			Angular ± 3°	Date 08/28/14	Drawing Number ZA5074-B	