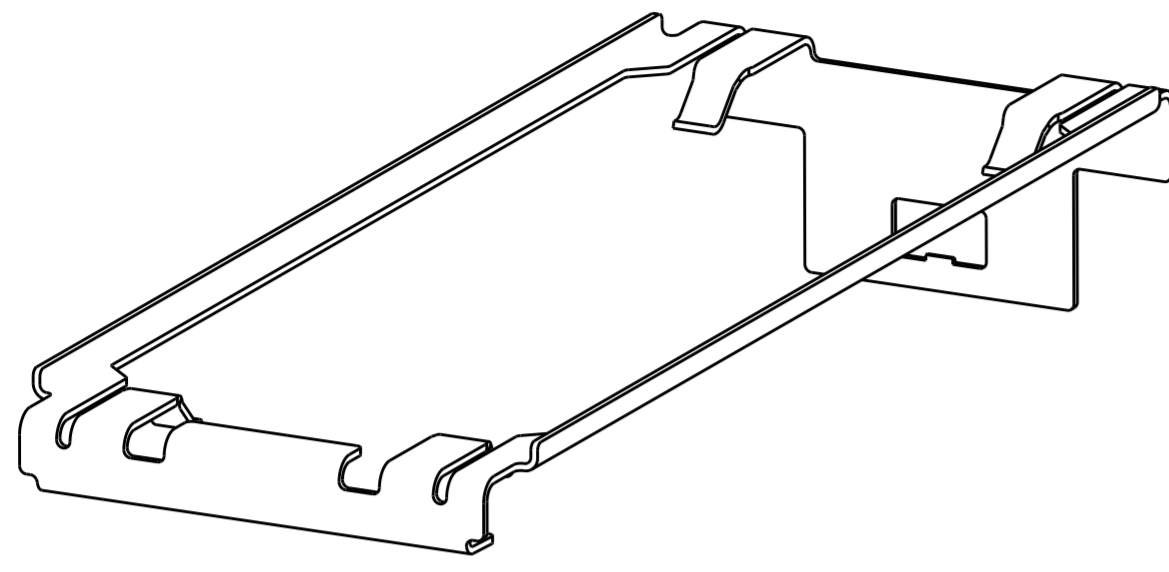
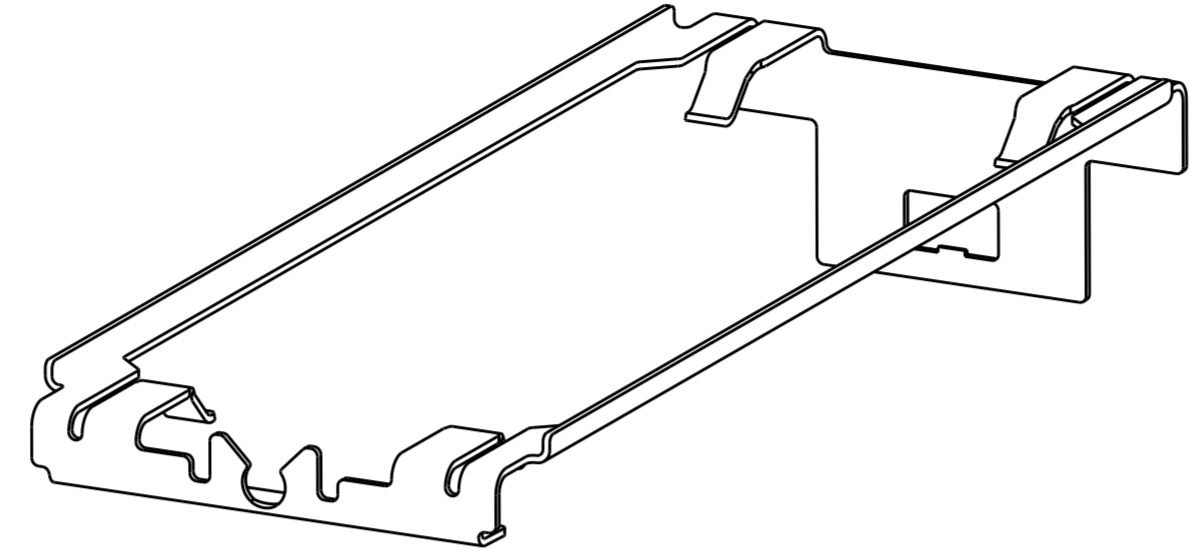


THIS DRAWING IS UNPUBLISHED. RELEASED FOR PUBLICATION
 © COPYRIGHT copyright.d8te- ALL RIGHTS RESERVED.

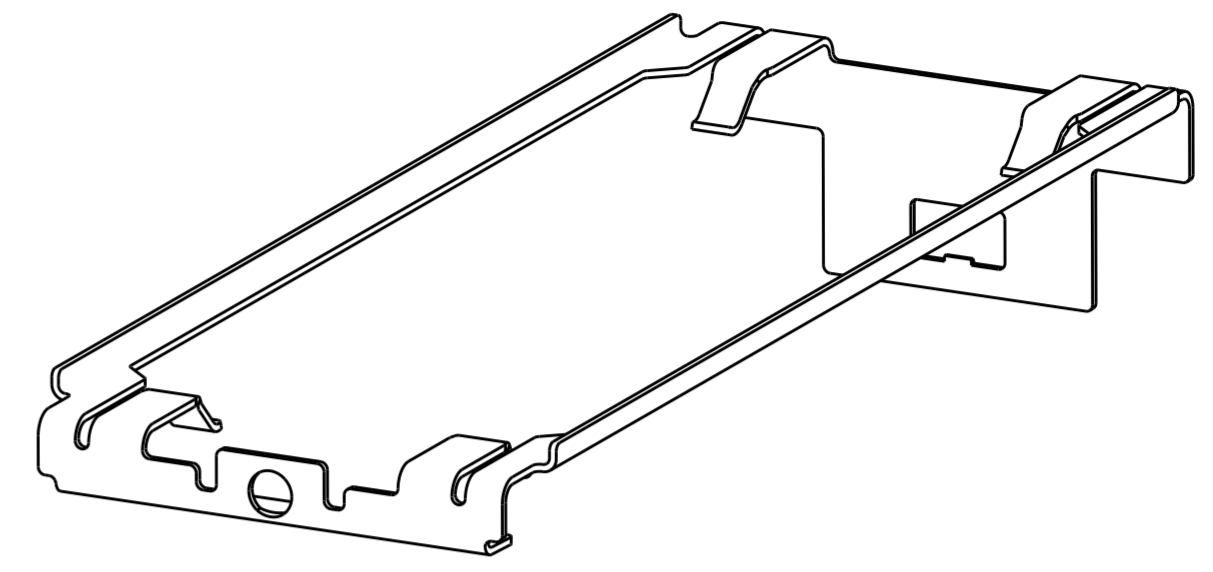
REVISIONS					
P	LTR	DESCRIPTION	DATE	DWN	APVD
A		INITIAL RELEASE	16DEC2014	JY	MC
B		REVISED PER ECO-15-003702	10MAR2015	JY	MC
C		REVISED PER ECO-18-013140	20AUG2018	JY	SH



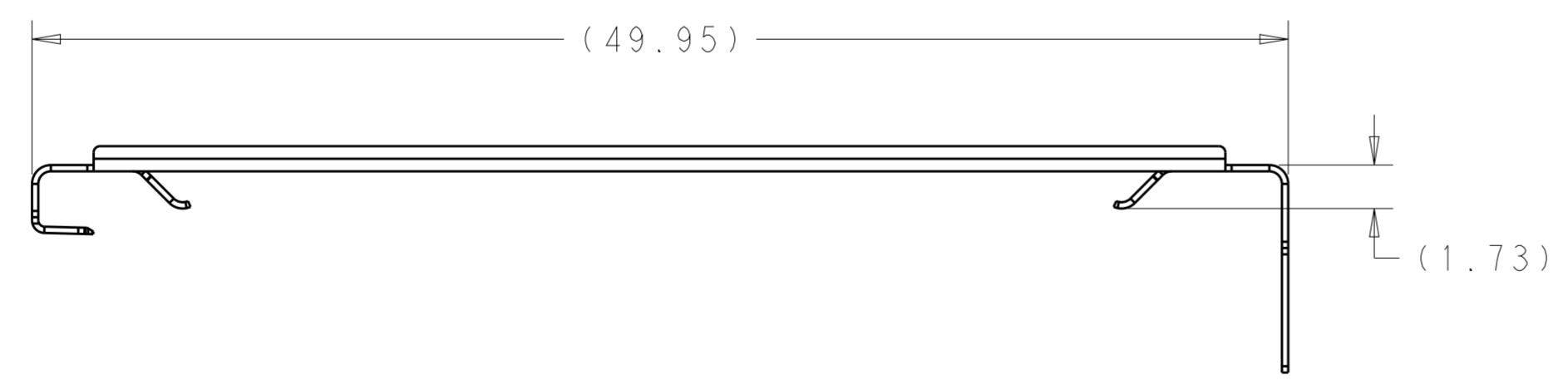
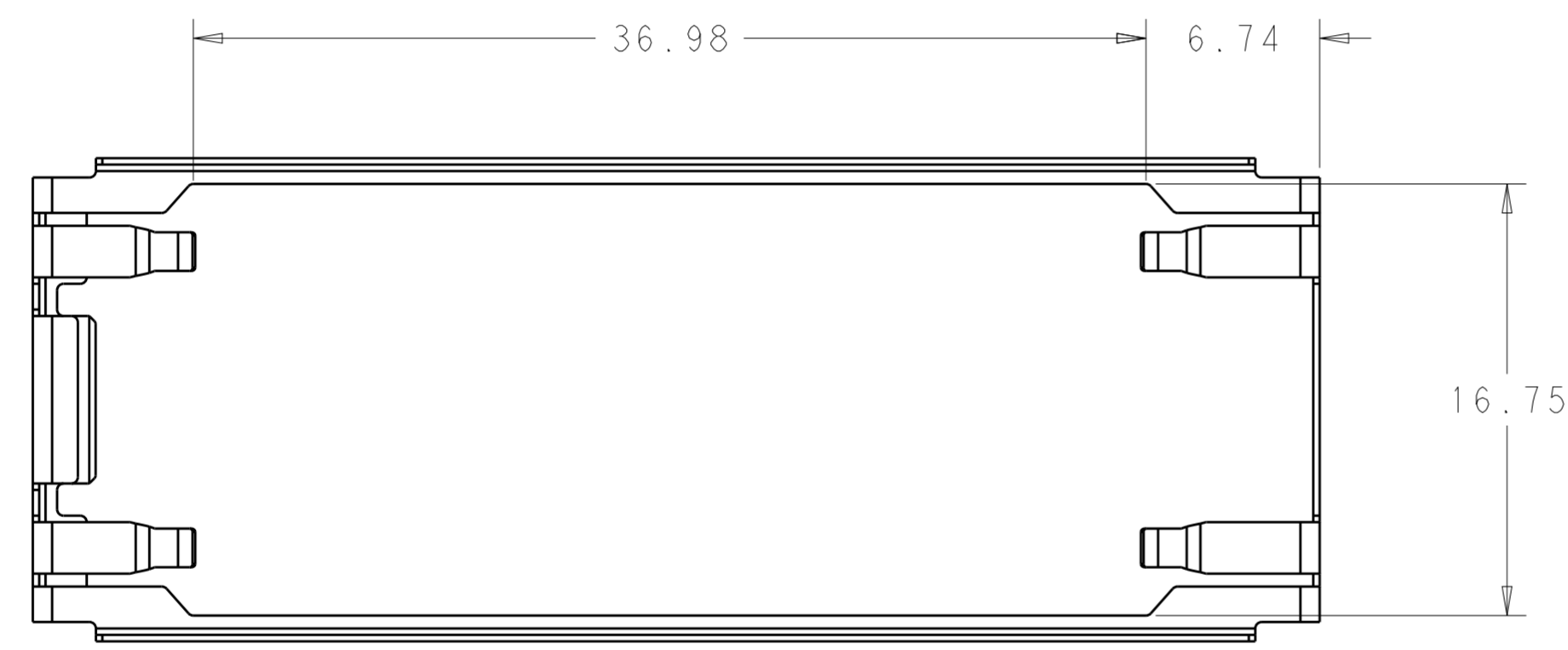
2227644-3
SCALE 4:1



2227644-4
SCALE 4:1

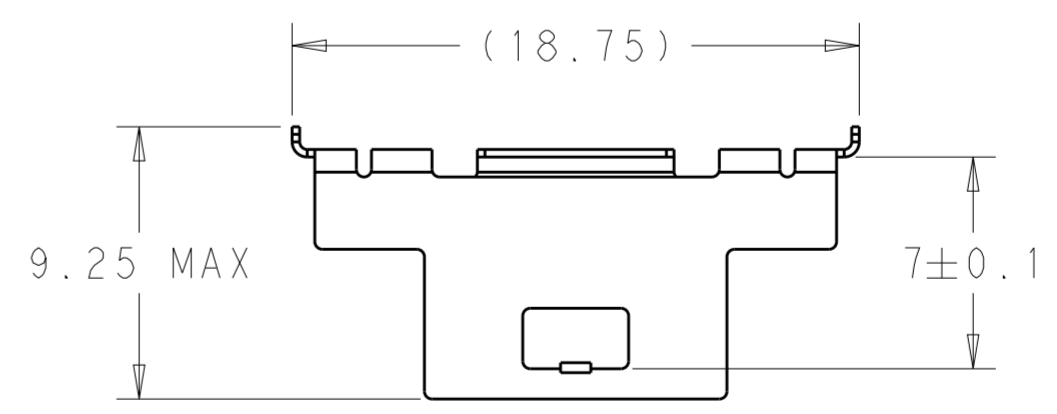


2227644-6
SCALE 4:1



SCALE 4:1

1. MATERIAL: 0.25mm THICKNESS PASSIVATED STAINLESS STEEL.



2227644-6
2227644-4
2227644-3
PART NUMBER

THIS DRAWING IS A CONTROLLED DOCUMENT.		DWN 20-Aug-18 Jason Yang	TE Connectivity	
		CHK 12AUG2014 Jason Yang		
DIMENSIONS:		PRODUCT SPEC		CLIP, HEAT SINK, THRU BEZEL, 1X4, zQSFP+
mm		APPLICATION SPEC		
TOLERANCES UNLESS OTHERWISE SPECIFIED:		WEIGHT		RESTRICTED TO
0 PLC	±	Customer Drawing		
1 PLC	±0.3	SCALE 2:1		SHEET 1 OF 1
2 PLC	±0.25	SHEET 1 OF 1		REV C
3 PLC	±	SCALE 2:1		
4 PLC	±	SHEET 1 OF 1		
ANGLES	±	SCALE 2:1		
FINISH	±	SHEET 1 OF 1		