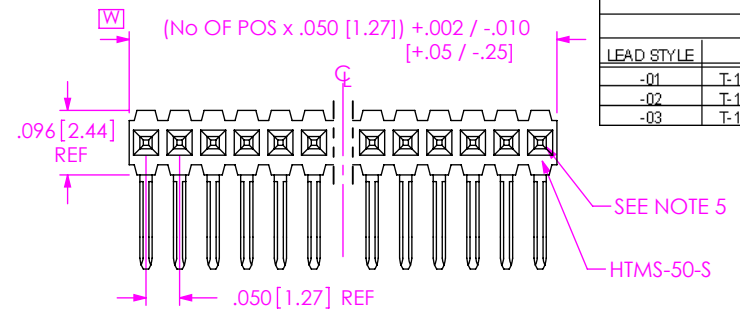


REVISION 0

DO NOT SCALE FROM THIS PRINT

HTMS-1XX-XX-XX-X-RA-XXX



| TABLE 1 RIGHT ANGLE | | | |
|------------------------|--------------|--------------|------------|
| LEAD STYLE | PIN# 1 | PIN# 2 | "B" |
| -01 | T-1M6-14-X-2 | T-1M6-15-X-2 | 230 [5.84] |
| -02 | T-1M6-12-X-2 | T-1M6-13-X-2 | 100 [2.54] |
| -03 | T-1M6-18-X-2 | T-1M6-19-X-2 | 125 [3.18] |

W No OF POSITIONS
-01 THRU -50 (PER ROW)

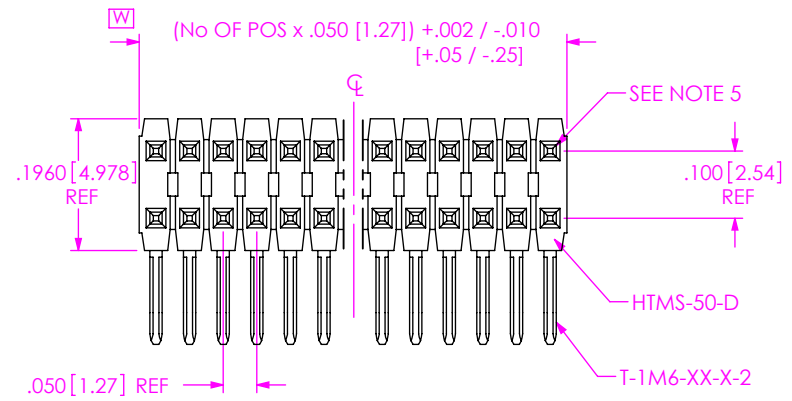
TERMINAL SPEC
SEE TABLE 1

OPTION
-POLARIZING SPECIFICATION
XXX INDICATES POSITIONS
TO BE OMITTED
(SEE FIG. 1)

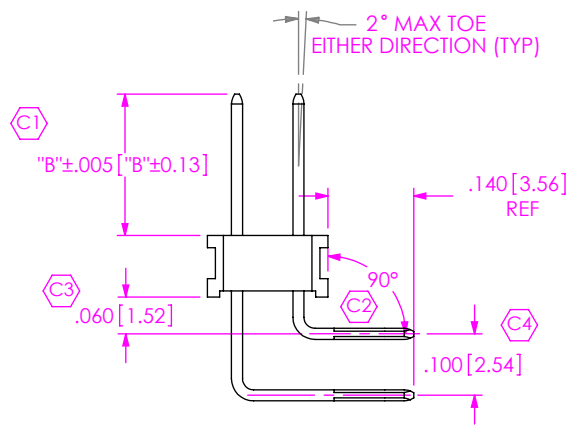
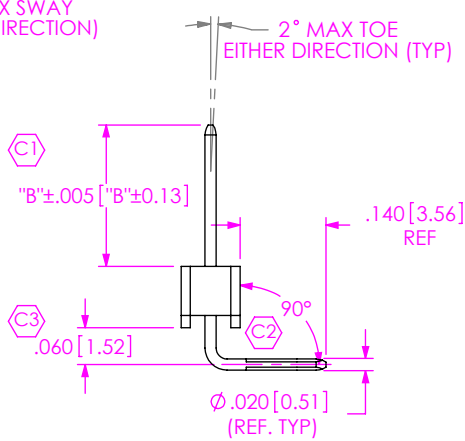
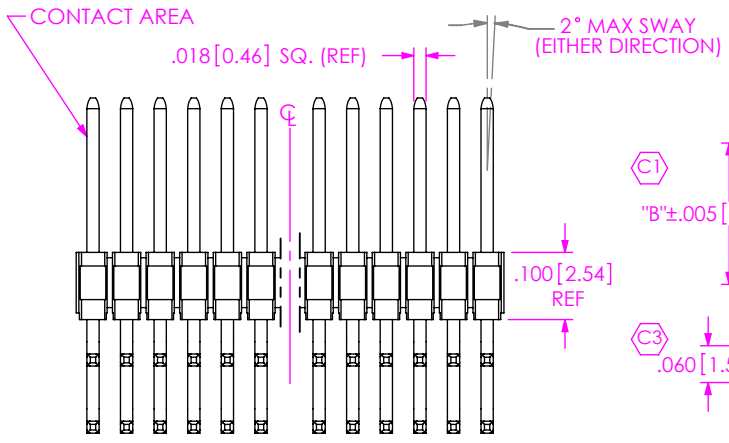
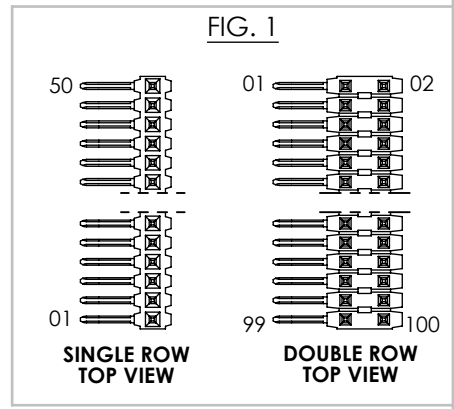
OPTION
-RA: RIGHT ANGLE

BODY SPECIFICATION
-S: SINGLE (USE HTMS-50-S)
-D: DOUBLE (USE HTMS-50-D)

PLATING SPECIFICATION
-G: GOLD, 10 Au / 50 Ni MIN ON CONTACT, 3 Au / 50 Ni MIN ON TAIL
-T: MATTE TIN CONTACT AND TAIL
-S: SELECTIVE GOLD, 30 Au / 50 Ni MIN ON CONTACT, MATTE TIN TAIL
-F: FLASH SELECTIVE, 3 Au / 50 Ni MIN ON CONTACT, MATTE TIN TAIL
-TM: MATTE TIN CONTACT AND TAIL
-SM: SELECTIVE GOLD, 30 Au / 50 Ni ON CONTACT, MATTE TIN TAIL
-L: LIGHT SELECTIVE GOLD, 10 Au / 50 Ni MIN ON CONTACT, MATTE TIN TAIL



| PACKAGING TUBE TABLE | | | |
|-------------------------|---------------|---------------|-------|
| BODY STYLE | LEAD STYLE | TUBE | PLUG |
| HTMS-DOUBLE RIGHT ANGLE | -01, -02, -03 | PT-1-24-02-66 | TP-03 |
| HTMS-SINGLE RIGHT ANGLE | -01, -02, -03 | PT-1-24-01-66 | TP-24 |



| TABLE 2 | | | |
|---------|--------------|--------|---------------|
| LENGTH | "L" | LENGTH | "L" |
| -01 | .440 [11.18] | -16 | .825 [20.96] |
| -02 | .410 [10.41] | -17 | .320 [8.13] |
| -03 | .610 [15.49] | -18 | .450 [11.43] |
| -04 | .505 [12.83] | -19 | .650 [16.51] |
| -05 | .705 [17.91] | -21 | .505 [12.83] |
| -12 | .425 [10.80] | -25 | .330 [8.38] |
| -13 | .625 [15.88] | -26 | .373 [9.47] |
| -14 | .555 [14.10] | -27 | .398 [10.11] |
| -15 | .755 [19.18] | -28 | 1.050 [26.67] |

* REF FOR PIN LENGTH

- NOTES:**
- 1. Ⓢ REPRESENTS A CRITICAL DIMENSION.
 - 2. MAXIMUM CUT FLASH: .010 [0.25].
 - 3. MINIMUM PUSHOUT FORCE: 2 LB.
 - 4. MAXIMUM ALLOWABLE BOW: .005 [0.13] INCH/INCH AFTER ASSEMBLY.
 - 5. MAX PIN ROTATION IN BODY: 2°.
 - 6. PACKAGE POSITIONS -08 THRU -50 IN PACKAGING TUBES; LAYER PACAKAGE POSITIONS -01 THRU -07.

UNLESS OTHERWISE SPECIFIED, DIMENSIONS ARE IN INCHES.

TOLERANCES ARE:
DECIMALS ANGLES
.X: ±.1 [3]
.XX: ±.01 [3] 2°
.XXX: ±.005 [13]
.XXXX: ±.0020 [051]

PROPRIETARY NOTE
THIS DOCUMENT CONTAINS INFORMATION CONFIDENTIAL AND PROPRIETARY TO SAMTEC, INC. AND SHALL NOT BE REPRODUCED OR TRANSFERRED TO OTHER DOCUMENTS OR DISCLOSED TO OTHERS OR USED FOR ANY PURPOSE OTHER THAN THAT WHICH IT WAS OBTAINED WITHOUT THE EXPRESSED WRITTEN CONSENT OF SAMTEC, INC.

MATERIAL: DO NOT SCALE DRAWING SHEET SCALE: 2:1
INSULATOR: LCP, UL 94 VO
TERMINAL: PHOS BRONZE.

520 PARK EAST BLVD., NEW ALBANY, IN 47150
PHONE: 812-944-6733 FAX: 812-948-5047
e-Mail: info@SAMTEC.com code 55322

DESCRIPTION:
HI-TEMP TERMINAL MICRO STRIP

DWG. NO.
HTMS-1XX-XX-XX-X-RA-XXX

BY: G. REIDINGER 02/24/1992 SHEET 1 OF 1