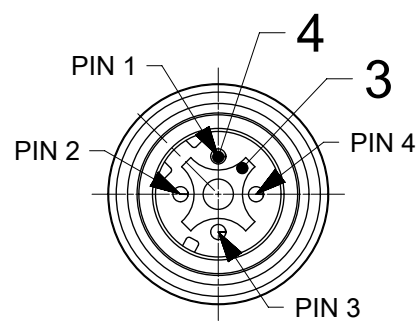


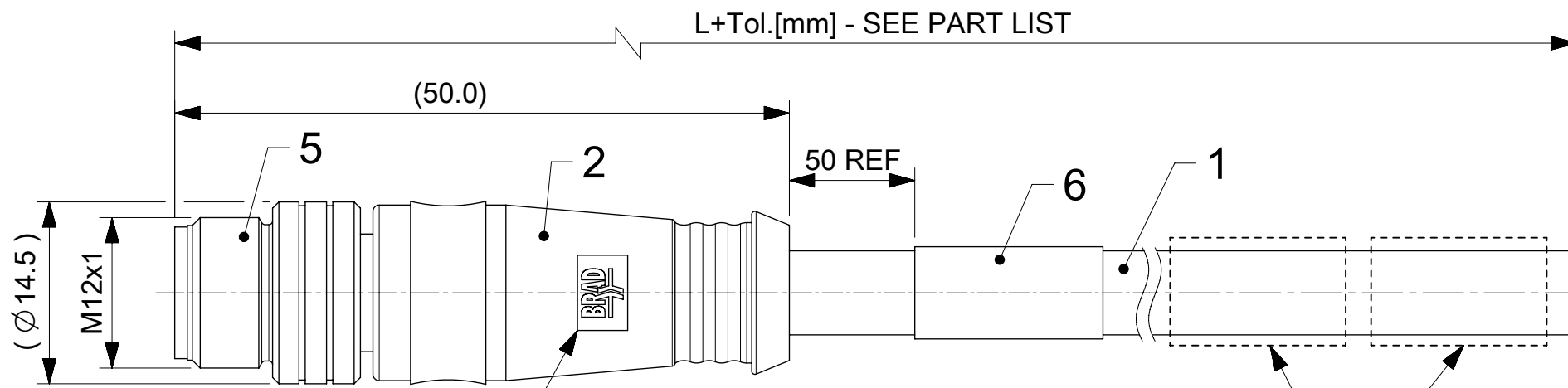
# PART No MATRIX

**E 1 0 A 0 0 6 1 1 M X X X X**

E = ETHERNET  
 HEAD : 1 = M12 D-Coding  
 WIRING TYPE: A=4 Pole (STRAIGHT WIRED)  
 HEADS STYLE: 006 = MALE STR  
 CABLE TYPE  
 UNITS : M= METER T=10x METER  
 LENGTH EXAMPLES: 005=0.5 m 010=1m 150=15m  
 H= 2 PCS. OF I/D CARRIER



VIEW FROM THE FRONT SIDE



LOGO BRAD

2xID CARRIER IF IN THE END IN ENGINEERING No IS H

## CABLE SPECIFICATION

### CONDUCTOR:

MATERIAL: BARE COPPER  
 SECTION: 0.34mm<sup>2</sup> - 22AWG

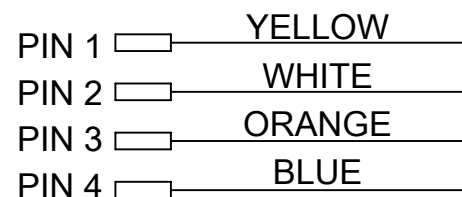
### INSULATION:

COMPOUND: POLYOLEFIN  
 DIAMETER: Ø1.45mm  
 COLOR: WHITE, YELLOW, BLUE, ORANGE  
 TWISTED TOGETHER

### JACKET:

COMPOUND: PUR  
 COLOR: GREEN  
 DIAMETER: Ø6.80 ±0.20mm

## WIRING DIAGRAM



## BOM

ITEM	QTY	DESCRIPTION	MATERIAL	FINISH/COLOR
6	1	LABEL	-	-
5	1	COUPLING NUT M12 MALE	BRASS	Ni-PLATED
4	4	CONTACT MALE	BRONZE	GOLD OVER Ni-PLATED
3	1	INSERT M12 MALE 4 POL DC	PUR	BLACK
2	-	OVERMOULD MATERIAL	TPU	BLACK
1	-	CABLE 2x2x22AWG; SHLD	PUR	GREEN

## NOTES :

ELECTRICAL DATA :  
 VOLTAGE RATING : 250V  
 AMPERAGE RATING : 4A  
 INSULATION RESISTANCE : 10<sup>8</sup>Ω MIN.  
 MATING CYCLES : MIN. 100

## ENVIRONMENTAL :

PROTECTION : IP67 IN MATED AND LOCKED POSITION  
 OPERATING TEMPERATURE : -25°C TO +85°C

## PART LIST

MOLEX PN	ENGINEERING NO	L (mm)
1300480311	E10A00611M020	2000
1300480281	E10A00611M050	5000
1300480282	E10A00611M100	10000
1300480283	E10A00611M200	20000
1300480284	E10A00611M300	30000
1300480285	E10A00611M500	50000
1300488117	E10A00611M100H	10000

CABLE LENGTH TOLERANCES	
LENGTH	TOLERANCE
0m-1m	+40 mm
>1m-5m	+60 mm
>5m-10m	+80 mm
>10m-20m	+140 mm
>20m-30m	+160 mm
>30m	+1% length

THIS DRAWING CONTAINS INFORMATION THAT IS PROPRIETARY TO MOLEX ELECTRONIC TECHNOLOGIES, LLC AND SHOULD NOT BE USED WITHOUT WRITTEN PERMISSION

FUNCTIONAL SYMBOLS:  $\nabla/A = 0$ ,  $\nabla/E = 0$ ,  $\nabla/V = 0$

DIMENSION UNITS: mm  
 SCALE: 2:1

GENERAL TOLERANCES (UNLESS SPECIFIED):  
 ANGULAR TOL ± 1.0°  
 4 PLACES ±  
 3 PLACES ±  
 2 PLACES ± 0.05  
 1 PLACE ± 0.3  
 0 PLACES ± 0.5

DRAFT WHERE APPLICABLE MUST REMAIN WITHIN DIMENSIONS

THIRD ANGLE PROJECTION

DRAWING: A3-SIZE  
 SERIES: 130048  
 MATERIAL NUMBER: SEE PART LIST  
 CUSTOMER: GENERAL MARKET

EC NO: 672185  
 DRWN: MDHARMANTI 2021/07/14  
 CHK'D: RSILLER 2021/09/20  
 APPR: RSILLER 2021/09/20

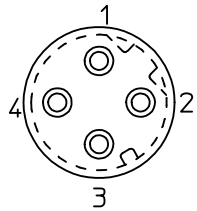
INITIAL REVISION:  
 DRWN: MDHARMANTI 2021/07/14  
 APPR: RSILLER 2021/09/20

PRODUCT CUSTOMER DRAWING

DOCUMENT NUMBER: 1300480311  
 DOC TYPE: PSD  
 DOC PART: 000  
 REVISION: A

SHEET NUMBER: 1 OF 1

4 POL. MM

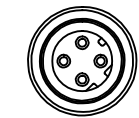


VIEW FROM WIRES SIDE

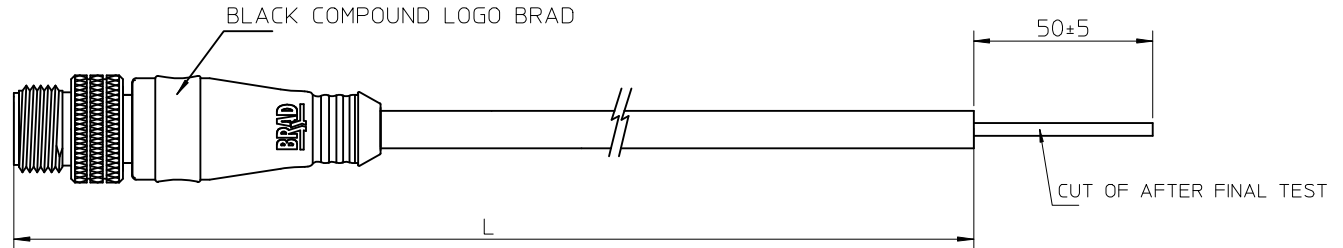
Pin	Wire color	Wire color
1	Yellow	YE
2	White	WH
3	Orange	OG
4	Blue	BU

Over	Up to and including	Tolerance (+)
0	305	+19
305	915	+45
915	1830	+56
1830	3660	+89
3660	7320	+165
7320	14640	+317
14640	30500	+610
30500	>	+2% of length

Molex P/N:	ENG P/N:	L [mm]
1300480281	E10A00611M050	5000
1300480282	E10A00611M100	10000
1300480283	E10A00611M200	20000
1300480284	E10A00611M300	30000
1300480285	E10A00611M500	50000



VIEW FROM FRONT SIDE.



CABLE SPECIFICATION

No. OF CONDUCTORS: 4  
 STRANDING: 7x30AWG  
 CROSS SECTION: 0,34mm  
 OUTER JACKET: GREEN PUR  
 TEMPERATURE RATING:  
 OPERATING: -20° to 60°C  
 STORAGE: -40° to 80°C

SILICONE FREE  
 HALOGEN FREE

ORIGINAL RELEASE EC NO: IPG2016-1572 DRWN:MMATLA 2016/05/23 CHKD: APPR:MIWASIECZKO 2016/05/25	QUALITY SYMBOLS	GENERAL TOLERANCES (UNLESS SPECIFIED)		DIMENSION STYLE MM ONLY		SCALE -	DESIGN UNITS METRIC	FIRST ANGLE PROJECTION	
	▽=0	mm	INCH	DRAWN BY	DATE	TITLE			
	∇=0	4 PLACES	± ---	± ---	MDYSZEWSKA	2012/11/14	CSE M12 4P DC MA STR PUR XM SE SHLD GN BRA NI		
		3 PLACES	± ---	± ---	CHECKED BY	DATE	<div style="text-align: center; font-weight: bold; font-size: 1.2em;">molex</div> DOCUMENT NO. SD-130048-005 SHEET NO. 1 OF 1		
		2 PLACES	± ---	± ---	JMARSZALEK	2013/11/28			
	1 PLACE	± ---	± ---	APPROVED BY	DATE				
	0 PLACE	± ---	± ---	MIWASIECZKO	2013/11/28				
		ANGULAR ± --- °		MATERIAL NO.					
		DRAFT WHERE APPLICABLE MUST REMAIN WITHIN DIMENSIONS		SEE CHART 1					
				SIZE	THIS DRAWING CONTAINS INFORMATION THAT IS PROPRIETARY TO MOLEX INCORPORATED AND SHOULD NOT BE USED WITHOUT WRITTEN PERMISSION				