

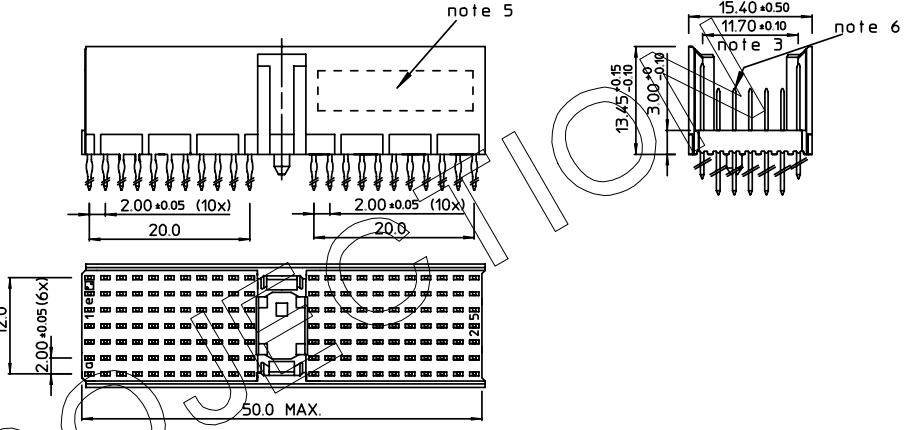
GEN. ST.	01	02	03	04	05	06	07	08	0D	50	60	70	80	90																	
INT. ST.	10	11	12	13	14	18	20	31	32	33	34	38	39	40	42	43	44	45	46	48	56	70	72	73	75	76	81	82	83	84	88

REV.	DATE	DESCRIPTION	BY	C'K'D'
A	2001-09-14	CONVERSION REVISION 03	KN	
B	2002-05-28	EC B20086	MF	
C	2005-10-17	105-0196	ALEX B	BKP
D	2006-08-02	106-0118	ALEX B	BKP

LOADING PATTERN MATING SIDE

LOADED CONNECTOR ASSEMBLY (FOR EXAMPLE)

f	6	6	6	6	6	6	6	6	6	6	6							6	6	6	6	6	6	6	6	6	6	6	6	6	6
e	A	A	A	A	G	A	A	A	A	A	A							A	A	A	A	G	G	A	G	7	7	G			
d	A	A	A	A	G	A	A	A	A	A	A							A	A	A	A	G	G	A	G	7	7	G			
c	A	A	A	A	G	A	A	A	A	A	A							A	A	A	A	G	G	A	G	G	G	G			
b	A	A	A	A	G	A	A	A	A	A	A							A	A	A	A	G	G	7	G	7	7	G			
a	A	A	A	A	G	A	A	A	A	A	A							A	A	A	A	G	G	7	G	7	7	G			
z	0	0	0	0	0	0	0	0	0	0	0							0	0	0	0	0	0	0	0	0	0	0	0	0	0
PO	0				5					1								5					2								5

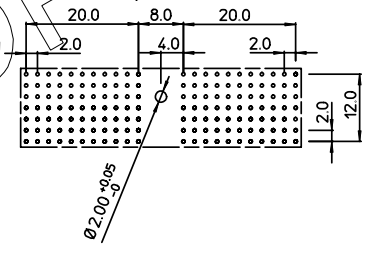
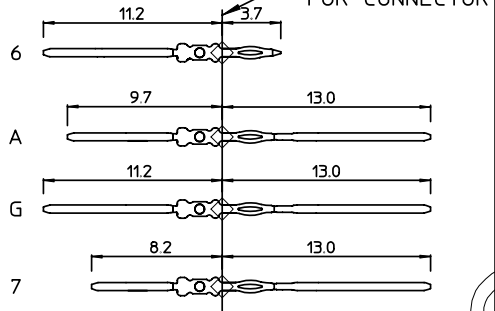


SHEET NR. : 981

PROJEU

CONTACT OVERVIEW

LAY-OUT P.C.B. -HOLE



LEAD FREE INDICATOR : LF = LEAD FREE (DIGIT 15 & 16)

HM2P07PKJ2R5

PLATING CODE (DIGIT 13 AND 14) (REF DWG No. BS,C ,201844,003)

NOTES:

- THIS PRODUCT IS CSA APPROVED.
- THIS PRODUCT IS UL RECOGNIZED.
- MEASURED AT THE BOTTOM.
- MATERIAL CONTACT: PHOSPHORBRONZE
HOUSING: CREAM WHITE GLASSFILLED POLYESTER UL-94V0
- CONNECTOR PRINTED WITH P/N AND DATE CODE.
- FOR ACTUAL CONTACT LOADINGS, SEE LOADING PATTERN MATING SIDE.
- SHAPE OF CONNECTOR HOUSING CAN ALTER DEPENDING ON PRODUCTION LOCATION.
- THE PRODUCT (LF) MEETS EUROPEAN UNION DIRECTIVES AND OTHER COUNTRY REGULATIONS AS DESCRIBED IN GS-22-008
- FOR RECOMMENDED PTH DIMENSIONS REFER DRAWING : BS.A .201572,001

EUROPEAN

1DEC ±0,2 2DEC ±0,1 ANGLES ±1°	APPR.	DATE	SIGN.	LOADING PATTERN OVERVIEW
	DRAFT	2000-01-11	G.Nys	CAT. No. HM2P07PKJ2R5----
WE RESERVE THE RIGHT TO CHANGE DIMENSIONS OR REQUIREMENTS WITHOUT PRIOR NOTICE.	CHECKED			SCALE
	PRD. MGR			FCJ www.fciconnect.com
	PR.ENG.MGR			
ALL DIMENSIONS IN MM	PR.MGT.MGR			



REFERENCES

BS,C ,201843,898

D