

6

5

4

3

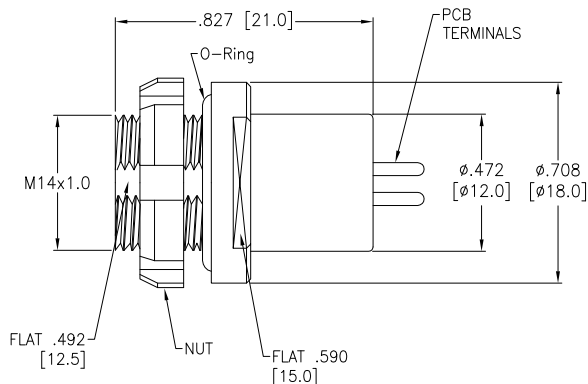
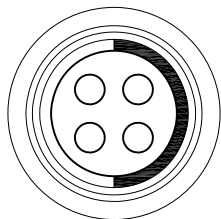
2

1

APPROVED: _____

DATE: _____ TITLE: _____

Rev	AWO #	Description	Date	Appr
-		RELEASED	8/16/21	



MMI-M1RSXXXP-IP68

SIZE 1

CODING

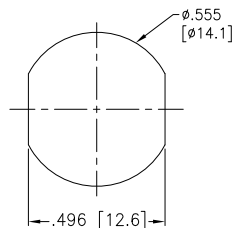
- 1 = CODE 1
- 2 = CODE 2
- 3 = CODE 3

OF POSITIONS

(02, 03, 04, 05, 06, 07 & 12)

CODING OPTIONS

CODE 1	CODE 2	CODE 3



Panel Cut-Out
(Rear Panel Mounting)

SPECIFICATIONS:

Material:
 Body: Brass, Natural Chrome Plated
 Insulator: PPS, color Beige
 Terminal: Brass, Gold Plated
 Electrical:
 Voltage Rating: See chart
 Current Rating: See chart
 Dielectric withstanding voltage: See chart
 Electrical Life: 1,000 Cycles min.
 Mechanical:
 Endurance: 5,000 Cycles Min.
 Temperature Rating:
 Operating temperature: -55°C to +150°C
 Environmental:
 IP50 Protection (Mated Condition)
 Lead free, RoHS compliant



	2 Pin	3 Pin	4 Pin	5 Pin	6 Pin	7 Pin	12 Pin
Configuration							
Diameter of Pin	Ø1.3	Ø1.3	Ø0.9	Ø0.9	Ø0.7	Ø0.7	Ø0.5
Testing Voltage	1200V	1200V	1150V	1100V	1000V	1000V	800V
Working Voltage	350V	350V	300V	300V	250V	250V	200V
Rated Current / Pin	12A	11A	8A	7A	5A	5A	3A

UNLESS OTHERWISE SPECIFIED
 ALL DIMENSIONS ARE INCHES [MM]
 TOLERANCES: EXCEPT AS NOTED
 INCHES HOLES
 .X ± .10 Ø.X ± .10
 .XX ± .020 Ø.XX ± .015
 .XXX ± .015 Ø.XXX ± .010

APPROVALS		DATE
DRAWN	SS	8/16/21
CHECKED	SS	8/16/21
APPROVED		



909 Rahway Avenue,
 Union, NJ 07083
 Phone: 908-687-5000
 Fax: 908-687-5710

TITLE
 PUSH-PULL SOCKET, VERTICAL, SIZE 1, METAL BODY,
 REAR PANEL MOUNT, PCB TERMINALS, IP68

SIZE X	PART NO. MMI-M1RSXXXP-IP68	REV. -
REF: SXXXXX	SCALE: NTS	SHEET 1 OF 2

6

5

4

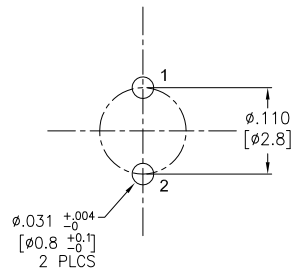
3

2

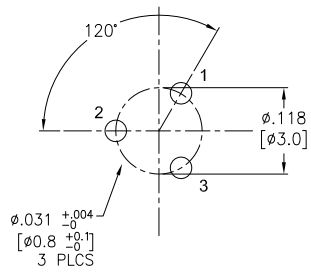
1

APPROVED: _____
 DATE: _____ TITLE: _____

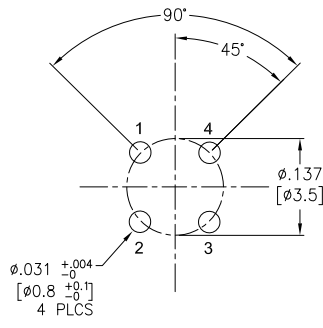
Rev	AWO #	Description	Date	Appr
-		RELEASED	8/16/21	



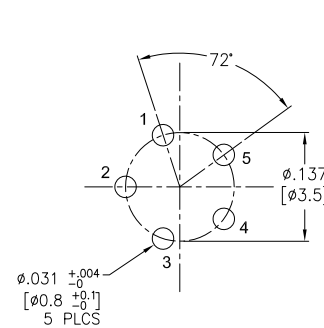
2 PIN



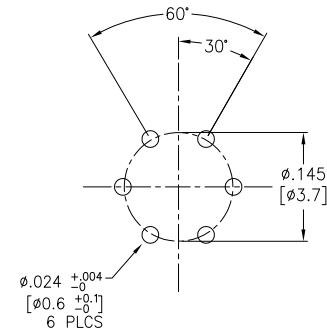
3 PIN



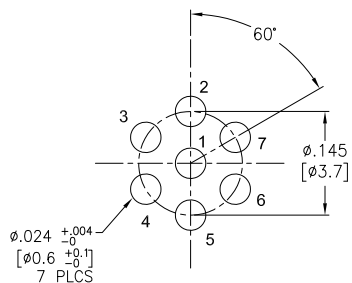
4 PIN



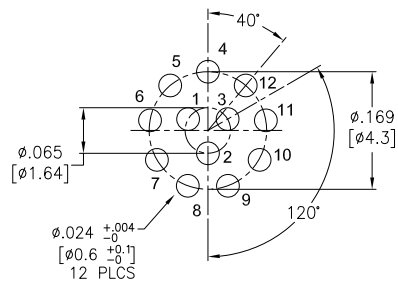
5 PIN



6 PIN



7 PIN



12 PIN

UNLESS OTHERWISE SPECIFIED
 ALL DIMENSIONS ARE INCHES [MM]
 TOLERANCES: EXCEPT AS NOTED
 INCHES HOLES

.X	± .10	Ø.X	± .10
.XX	± .020	Ø.XX	± .015
.XXX	± .015	Ø.XXX	± .010

APPROVALS		DATE
DRAWN	SS	8/16/21
CHECKED	SS	8/16/21
APPROVED		

ADAM TECH 909 Rahway Avenue,
 Union, NJ 07083
 Phone: 908-687-5000
 Fax: 908-687-5710

TITLE: PUSH-PULL SOCKET, VERTICAL, SIZE 1, METAL BODY, REAR PANEL MOUNT, PCB TERMINALS, IP68

SIZE X	PART NO. MMI-M1RSXXXP-IP68	REV. -
REF: SXXXXXX	SCALE: NTS	SHEET 2 OF 2