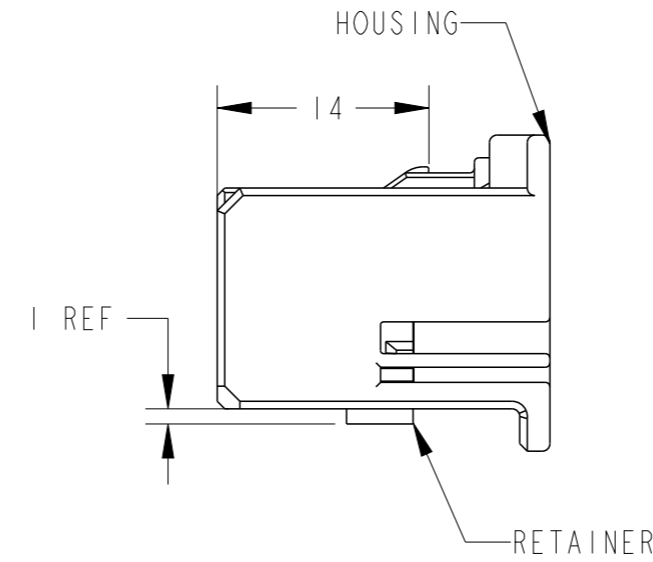
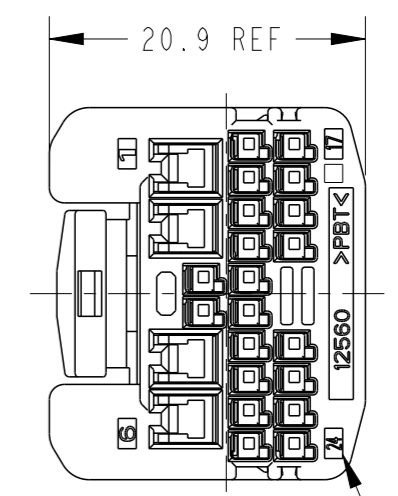
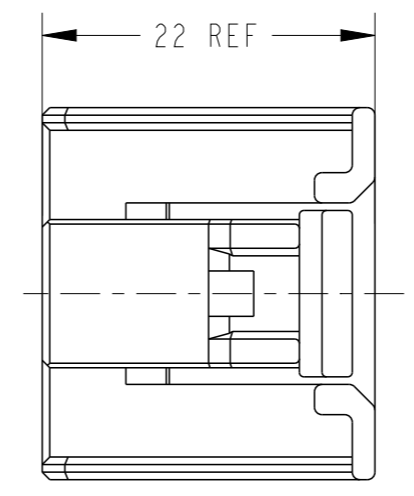
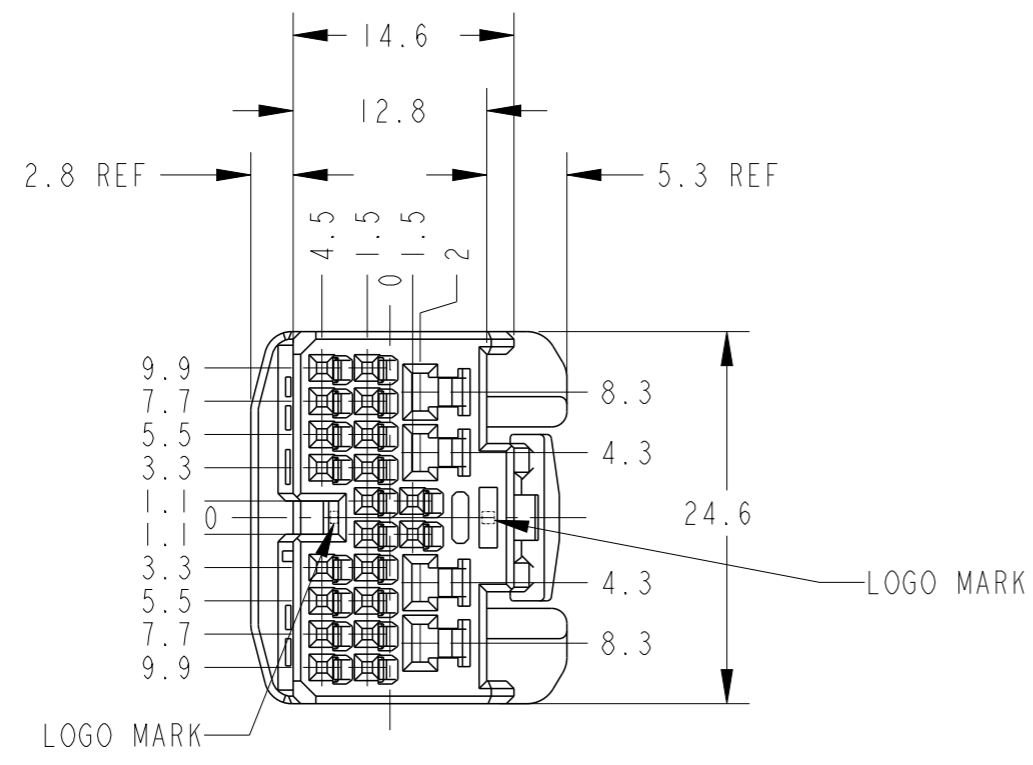


THIS DRAWING IS UNPUBLISHED. RELEASED FOR PUBLICATION 20
 © COPYRIGHT 20 BY TYCO ELECTRONICS CORPORATION. ALL RIGHTS RESERVED.

P	LTR	DESCRIPTION	ECN	DATE	DWN	APVD
	02	ADDED -3	ECR-06-003655	14FEB06	TS	KB
	03	REVISED	ECR-06-006021	13MAR06	TS	KB
	A	REVISED	ECR-10-007503	20APR10	TS	KB
	A1	REVISED	ECR-21-123120	13DEC21	MO	RK



1. RETAINER SHOULD BE PRE-ASSEMBLED CONDITION TO HOUSING.
2. INSTRUCTION SHEET NO.411-78080.
3. PART NUMBER OF CAP HOUSING TO BE MATED : SEE TABLE-1
4. APPLIED TERMINALS : SEE TABLE-2

1. プラグハウジングにリテーナを仮係止して出荷される
2. 取扱説明書NO. 411-78080
3. 嵌合相手型番 : TABLE-1参照
4. 適用端子 : TABLE-2参照

TABLE-2

SIGNAL 0.64111	TIN	20	TERMINAL PART NO. 端子型番	APPLICABLE WIRE RANGE 適用電線
	SELECTIVE GOLD		1674311-1	AVSS/CAVS/CAVUS/AVSSH-f
POWER 09011	TIN	4	1674311-2	0.3~0.5mm ²
			S : SEE TABLE-3	CAVUS 0.3~0.5mm ² CAVS/AVSS 0.3~0.5mm ² AVS 0.3~0.5mm ²
			M : SEE TABLE-3	CAVUS 0.5~1.25mm ² CAVS/AVSS 0.5~1.25mm ² AVS 0.5~1.25mm ²
			L : SEE TABLE-3	AVSS 2mm ²

TABLE-1

POS 極数	CAP ASSEMBLY PART NO. キャップ番号
80	1318751
50	1318750

PAPER BOX ダンボール	PLASTIC BAG ビニール袋	NATURAL	1746864-4
PAPER BOX ダンボール	PLASTIC BAG ビニール袋	GRAY	1746864-3
PAPER BOX ダンボール	PLASTIC BAG ビニール袋	BLACK	1746864-2
PAPER BOX ダンボール	PLASTIC BAG ビニール袋	NATURAL	1746864-1
OUTER 外装	INNER 内装	COLOR	PART NUMBER
PACKING STYLE 梱包形態			

TABLE-3

TERMINAL MAKER 端子メーカー	SIZE サイズ		
	S	M	L
YAZAKI PARTS CO., LTD. 矢崎部品(株)殿	7116-4020	7116-4021	7116-4022
SUMITOMO WIRING SYSTEMS, LTD. 住友電装(株)殿	8240-4882	8240-4892	8240-4942
TOKAI RIKA CO., LTD. (株)東海理化電機製作所殿	4R1190-0004E	4R1191-0004E	4R1192-0005F

THIS DRAWING IS A CONTROLLED DOCUMENT FOR TYCO ELECTRONICS CORPORATION
 IT IS SUBJECT TO CHANGE AND THE CONTROLLING ENGINEERING ORGANIZATION
 SHOULD BE CONTACTED FOR THE LATEST REVISION.

DIMENSIONS: 単位: 耗 mm

TOLERANCES UNLESS OTHERWISE SPECIFIED:
 一般公差 ±0.3
 0-PLC ±
 1-PLC ±0.1
 2-PLC ±0.01
 3-PLC ±0.001
 4-PLC ±0.0001
 ANGLES ±3'00"

MATERIAL 材料 PBT FINISH 仕上 SEE TABLE

DWN Y. MITO 13AUG04
 CHK H. YAMAGAMI 13AUG04
 APVD S. ISOHATA 13AUG04

NAME 名称 0.64111/2.311 SEREIS CONNECTOR
 24 POSITION PLUG ASSEMBLY

PRODUCT SPEC 108-5953
 APPLICATION SPEC 114-5329

WEIGHT 5.75 g

SIZE A3 CAGE CODE 00779 DRAWING NO. 1746864

CUSTOMER DRAWING SCALE 尺度 2:1 SHEET 1 OF 1 REV A1

Tyco Electronics Corporation
 Kawasaki, Japan