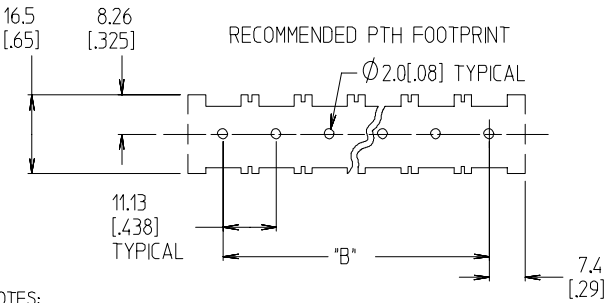
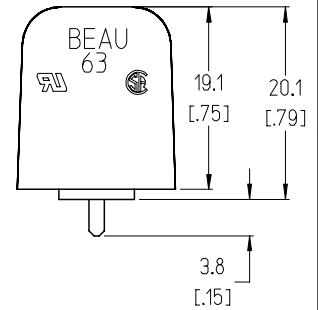
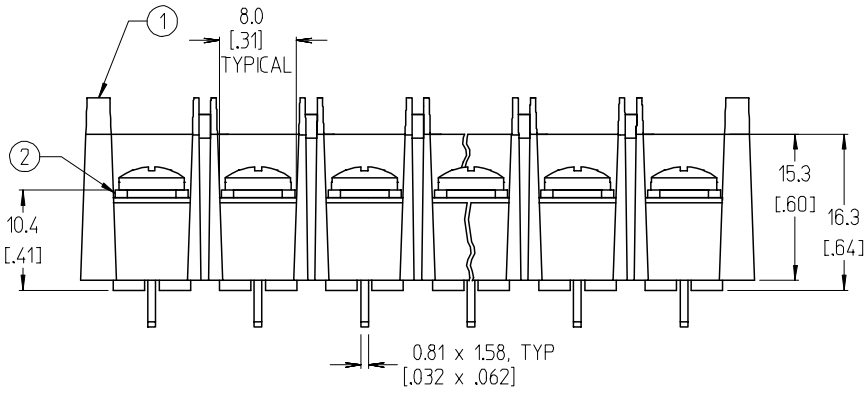
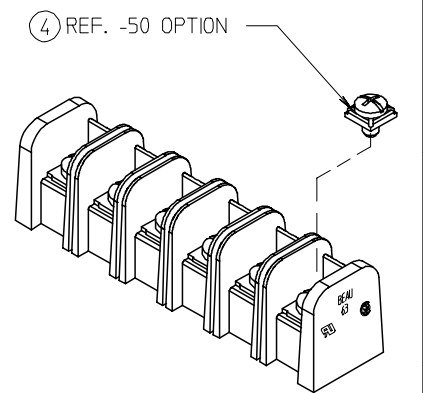
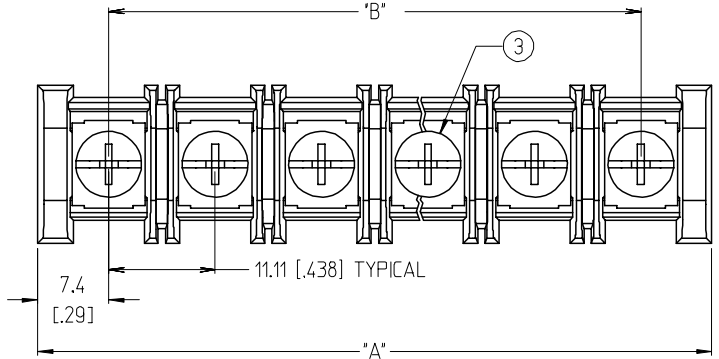


| NO. OF CIRCUITS | DIM. "A" |      | DIM. "B" |       | ASSEMBLY MATERIAL NO. (STANDARD) | ASSEMBLY MATERIAL NO. (-50 OPT) |
|-----------------|----------|------|----------|-------|----------------------------------|---------------------------------|
|                 | mm       | in   | mm       | in    |                                  |                                 |
| 02              | 25.9     | 1.02 | 11.11    | .438  | 386344302                        | 386345102                       |
| 03              | 37.0     | 1.46 | 22.23    | .875  | 386344303                        | 386345103                       |
| 04              | 48.1     | 1.89 | 33.34    | 1.313 | 386344304                        | 386345104                       |
| 05              | 59.2     | 2.33 | 44.45    | 1.750 | 386344305                        | 386345105                       |
| 06              | 70.3     | 2.77 | 55.56    | 2.188 | 386344306                        | 386345106                       |
| 07              | 81.5     | 3.21 | 66.68    | 2.625 | 386344307                        | 386345107                       |
| 08              | 92.6     | 3.64 | 77.79    | 3.063 | 386344308                        | 386345108                       |
| 09              | 103.7    | 4.08 | 88.90    | 3.500 | 386344309                        | 386345109                       |
| 10              | 114.8    | 4.52 | 100.01   | 3.938 | 386344310                        | 386345110                       |
| 11              | 125.9    | 4.96 | 111.13   | 4.375 | 386344311                        | 386345111                       |
| 12              | 137.0    | 5.39 | 122.24   | 4.813 | 386344312                        | 386345112                       |
| 13              | 148.1    | 5.83 | 133.35   | 5.250 | 386344313                        | 386345113                       |
| 14              | 159.2    | 6.27 | 144.46   | 5.688 | 386344314                        | 386345114                       |
| 15              | 170.4    | 6.71 | 155.58   | 6.125 | 386344315                        | 386345115                       |
| 16              | 181.5    | 7.14 | 166.69   | 6.563 | 386344316                        | 386345116                       |
| 17              | 192.6    | 7.58 | 177.80   | 7.000 | 386344317                        | 386345117                       |
| 18              | 203.7    | 8.02 | 188.91   | 7.438 | 386344318                        | 386345118                       |
| 19              | 214.8    | 8.46 | 200.03   | 7.875 | 386344319                        | 386345119                       |
| 20              | 225.9    | 8.89 | 211.14   | 8.313 | 386344320                        | 386345120                       |



- NOTES:
1. MATERIAL: SEE TABLE
  2. FINISHES: SEE TABLE
  3. INCH DIMS ARE SHOWN IN BRACKETS [XXX].
  4. 'XX' REFERS TO THE QUANTITY OF CIRCUITS.
  5. ASSEMBLY IS ROHS COMPLIANT.

(B)

| ITEM | QTY. | DESCRIPTION                              | MATERIAL | FINISH             |
|------|------|--|----------|--------------------|
| 4    | XX   | SCREW&WASHER, #6-32X.25, PAN, PH/SL, -50 | STEEL    | ZN, CLEAR CHROMATE |
| 3    | XX   | SCREW, #6-32X.25, BHD, PH/SL, STANDARD   | STEEL    | ZN, CLEAR CHROMATE |
| 2    | XX   | TERMINAL, PC                             | BRASS    | TIN PLATED         |
| 1    | 1    | HOUSING, SR BTS, PC, CS, NO MTG.         | PBT      | BLACK              |

|   |                 |                                       |                          |              |                      |                        |
|---|-----------------|---------------------------------------|--------------------------|--------------|----------------------|------------------------|
| ADD MAT'L # & NOTE<br>EC NO: ETC2007-0392<br>DRAWN: CLYORK 2007/05/11<br>CHKD: JMACNEIL 2007/05/11<br>APPR: JMACNEIL 2007/05/14 | QUALITY SYMBOLS | GENERAL TOLERANCES (UNLESS SPECIFIED) | DIMENSION STYLE<br>MM/IN | SCALE<br>2:1 | DESIGN UNITS<br>INCH | THIRD ANGLE PROJECTION |
|   | DESCRIPTION     |                                       |                          |              |                      |                        |
|   | REV             |                                       |                          |              |                      |                        |
|   | DATE            |                                       |                          |              |                      |                        |

|  |                       |                       |                     |               |                       |                              |   |
|--|-----------------------|-----------------------|---------------------|---------------|-----------------------|------------------------------|---|
| 4 PLACES ± --- ± ---                                       | 3 PLACES ± --- ± .005 | 2 PLACES ± 0.13 ± .01 | 1 PLACE ± 0.3 ± --- | ANGULAR ± 2 ° | DRAWN BY<br>W. HOWARD | DATE<br>2003/07/16           | TITLE<br>11.11MM SR BTS, PC,<br>CLOSED SIDE ASSY, NO<br>MTG, 600V, BEAU 63R |
| DRAFT WHERE APPLICABLE<br>MUST REMAIN<br>WITHIN DIMENSIONS |                       |                       |                     |               | CHECKED BY<br>R. KEMP | DATE<br>2003/07/18           | APPROVED BY<br>P. WALTZ   |
| MATERIAL NO.<br>SEE CHART                                  |                       |                       |                     |               | DATE<br>2003/07/18    | MOLEX INCORPORATED           |   |
| SHEET NO.<br>1 OF 1  |                       |                       |                     |               |                       | DOCUMENT NO.<br>SD-38634-001 |   |