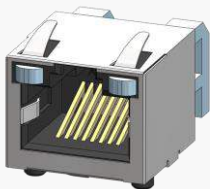


About Amphenol Commercial Products

Amphenol's commercial connector products are used in a variety of end user applications including networking, telecom, server & computer, storage & HDD, consumer electronics and entertainment, professional audio & Industrial & Military/Aerospace.

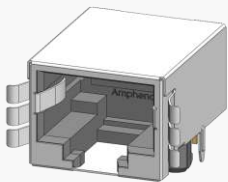
Related Products

RJSSE

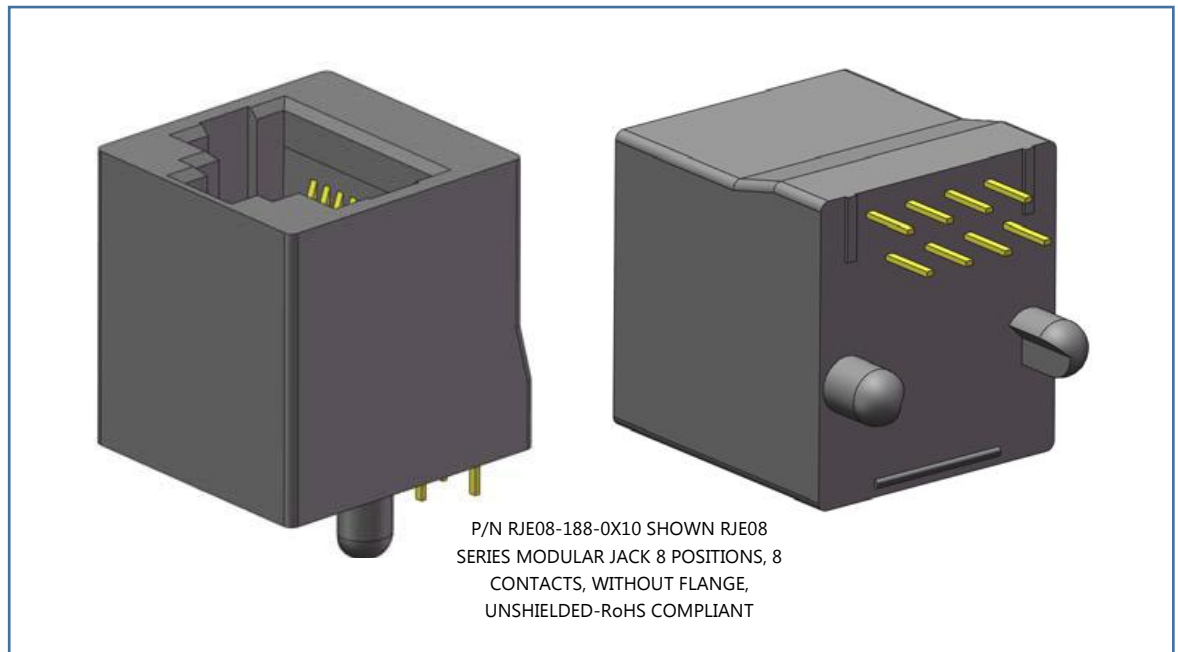


P/N RJSSE-5081 SHOWN SINGLE PORT, 8 POSITION, WITH SHIELD AND LIGHT PIPE

RJULE



P/N RJULE-4X182-01 SHOWN SINGLE PORT REGULAR MOUNT, STANDARD SHIELD WITH SMT



P/N RJE08-188-0X10 SHOWN RJE08 SERIES MODULAR JACK 8 POSITIONS, 8 CONTACTS, WITHOUT FLANGE, UNSHIELDED-RoHS COMPLIANT

OVERVIEW

This product specification defines the general use and performance parameters for Amphenol's RJE08 series of modular jacks.

Availability: Single port, 4P4C, 6P2C, 6P4C, 6P6C, 8P8C, 10P10C, and flange options.

USAGE

The RJE08 series of modular jack supports Ethernet Protocols.

APPLICATIONS

Intended for use in applications such as:

Data

- Storage
- Servers
- Routers
- Switches
- Hubs

Consumer Goods

- Security Systems
- Set Top Boxes
- Video Game Systems
- PCs, Laptops
- Copiers, Printers

Industrial and Instrumentation

- Uninterruptible Power Supply (UPS)
- ATMs
- Vending Machines
- POS Terminals
- Industrial IoT Platforms

Networking & Telecom

- 5G Wireless
- Telephones
- Modems
- Fax Machines

Medical

- Analysis Equipment
- Mass Spectrometers

About Amphenol Commercial Products

Amphenol's commercial connector products are used in a variety of end user applications including networking, telecom, server & computer, storage & HDD, consumer electronics and entertainment, professional audio & Industrial & Military/Aerospace.

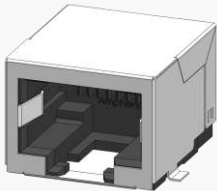
Related Products

FRJAE



P/N FRJAE-418 SHOWN SINGLE PORT, 8 POSITION, WITH FERRITE FILTER AND SHIELD (FRONT TABS)

RJLSE



P/N RJLSE-41181-01 SHOWN SINGLE PORT REGULAR MOUNT, STANDARD SHIELD WITH SMT

ELECTRICAL CHARACTERISTICS

Contact Resistance	20 mΩ maximum
Insulation Resistance	500 MΩ minimum at 500V DC for 2 minutes maximum
Current Rating	1.5 Amps per contact
Voltage Rating	125 Volts AC
DWV	1000 VAC, 60 HZ. 1 min

Supports PoE, PoE+, and PoE++ per IEEE PoE standards

IP20 rated per IEC 60529

MECHANICAL CHARACTERISTICS

Mating Connector Insertion Force	5.0 lbs maximum
Mating Connector Pull Retention Force	20.0 lbs minimum
Durability	750 mating and unmating cycles for 50μ" gold plating
Recommended Soldering Temperature	Wave soldering peaked at 260°C for 5 seconds maximum
Operating Temperature	-40°C to +85°C

UL File #: E136228

MATERIAL REQUIREMENTS

RJE08 connectors are RoHS compliant.

Unless otherwise specified, the materials for each component shall be:

Insulator	Engineering thermoplastic, complies with UL 94V-0
Contacts	-Phosphor Bronze hard temper with gold thickness options (6μ", 15μ" 30μ", 50μ") over 50μ" minimum Nickel on contact mating area -100μ" minimum matte Tin or gold flash plating on tail areas

AVAILABLE DOCUMENTS

Below is a list of the most popular standard sales drawings:

Contact our website, sales, or an authorized Amphenol representation for additional drawings.

RJE08-144-0X20	Single port, with flange, without shield
RJE08-1AA-0411	Single port, top entry, PCB mount, unshielded with standoff
RJE08-164-0X20	Single port, top entry, without shield, with side flange
RJE08-188-0X20	Single port, top entry, without shield, with flange
RJE08-488-1X18	Four ports, with shield and with LEDs