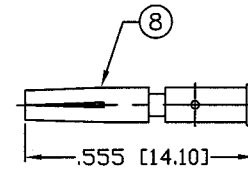
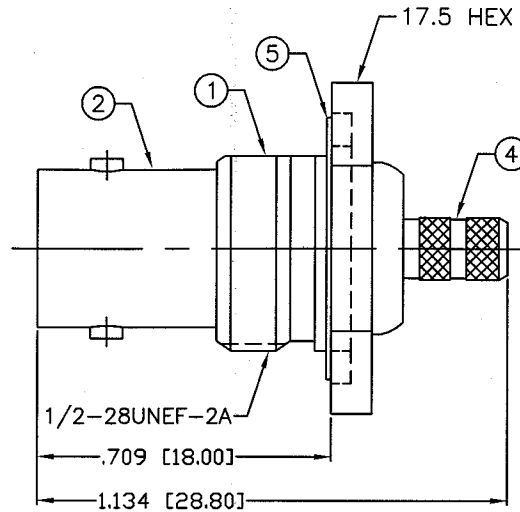
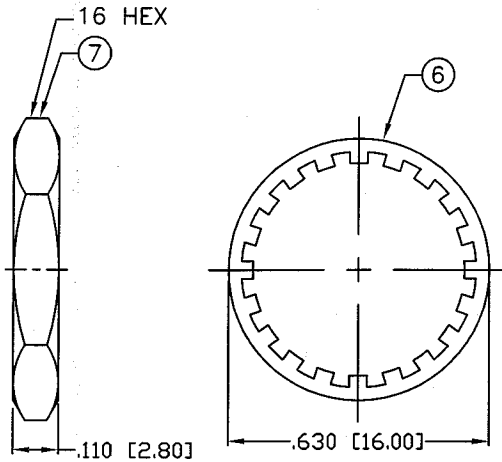


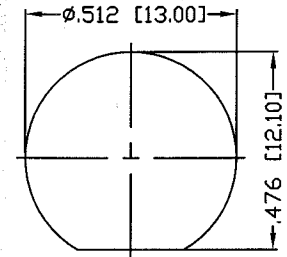
THIS DRAWING CONTAINS INFORMATION PROPRIETARY TO RF INDUSTRIES,
 ANY UNAUTHORIZED USE OF THIS DRAWING IS EXPRESSLY PROHIBITED
 WITHOUT WRITTEN PERMISSION FROM RF INDUSTRIES.
 ANY VIOLATION IS PUNISHABLE UNDER U.S. COPYRIGHT LAWS.

ALL DIMENSIONS ARE REFERENCE ONLY

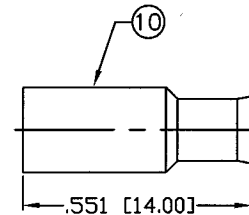
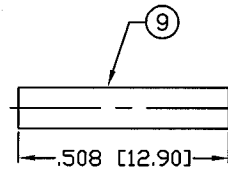
PART NO.		RFB-1717-S		
REV	DESCRIPTION	DWN	DATE	APPROVED
-	ENGINEERING RELEASE	GGG	08/07/98	JDMc



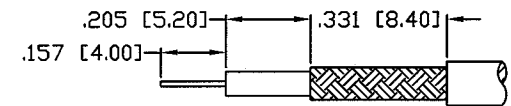
RECOMMENDED CRIMP DIE: .068



RECOMMENDED MOUNTING HOLE



RECOMMENDED CRIMP DIE: .178



RECOMMENDED STRIPPING DIM'S

SPECIFICATIONS:

IMPEDANCE: 75 Ohms
 FREQUENCY RANGE: 0-2 GHz
 WORKING VOLTAGE: 500 V rms max. @ sea level
 TEMPERATURE RANGE: -65°C TO 165°C
 INSULATION RESISTANCE: 5k M Ohms min.
 FOR RG-161, 179, 179A, 187 & 187A/U CABLE

1	HOUSING	1	BRASS	NICKEL, 100μ ²
2	BODY	1	BRASS	NICKEL, 100μ ²
3	INSULATOR	1	PTFE	---
4	FER. STUD	1	BRASS	NICKEL, 100μ ²
5	GASKET	1	RUBBER	---
6	WASHER	1	BRASS	NICKEL, 100μ ²
7	NUT	1	BRASS	NICKEL, 100μ ²
8	CONTACT	1	PHOS BRONZE	GOLD, 3μ ²
9	SLEEVE	1	DELTRIN	---
10	FERRULE	1	BRASS	NICKEL, 100μ ²
11				
12				
13				
14				
#	DESCRIP	QTY	MATERIAL	FINISH

008974		
DRAWN	G GALLEGOS	11/07/01
CHECKED	<i>[Signature]</i>	11-7-01
ORJ DRAWN	G GALLEGOS	11/07/01
APPROVALS		DATE

UNLESS OTHERWISE SPECIFIED:
 1. REMOVE ALL BURRS
 2. BREAK ALL CORNERS & EDGES .005 R. MAX.
 3. CHAMFER 1ST & LAST THREADS 45°
 4. SURFACE ROUGHNESS 63 FINISH MIL-STD-10
 5. DIAMETERS ON COMMON CENTERS TO BE CONCENTRIC WITHIN .002 T.I.R.
 6. ALL DIMENSIONS ARE AFTER PLATING.

DIMENSIONS ARE IN INCHES AND [MILLIMETERS]
 UNLESS OTHERWISE NOTED TOLERANCES ARE:
 DECIMALS DIAMETER
 .XXX±.003 [.08] .XXX±.001 [.03]
 .XX±.005 [.13] .XX±.003 [.08]

RF connectors
 DIVISION OF RF INDUSTRIES, LTD.

7610 MIRAMAR RD
 SAN DIEGO, CA 92126
 (858) 549-6340
 (858) 549-6345 FAX

BNC JACK, BULKHEAD
 CRIMP

SIZE	CABLE GROUP	DWG NO.	REV
A	S	RFB-1717-S	-
SCALE: NTS		CAD FILE OUTLINE	SHEET 1 OF 1