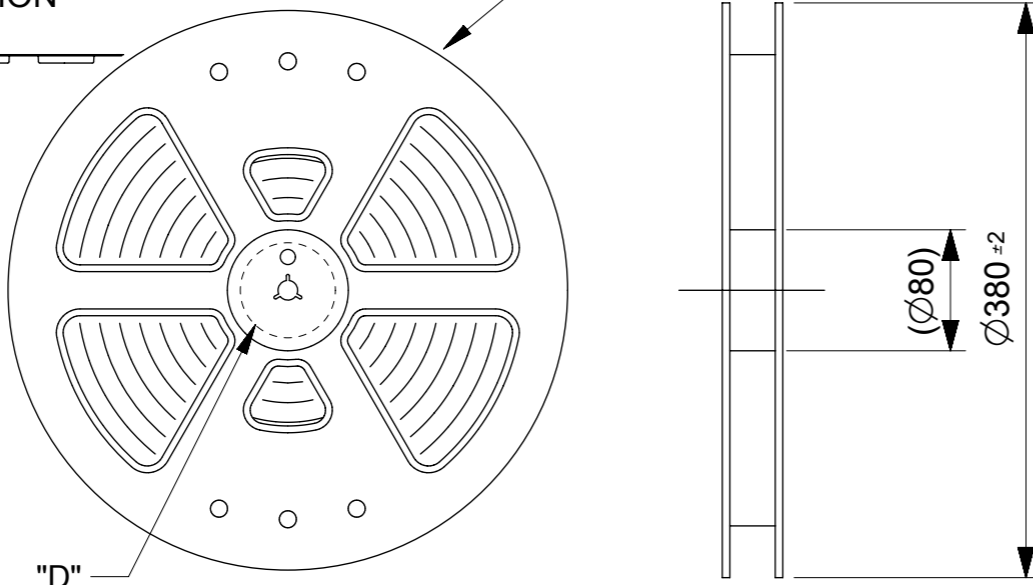


PULL OUT DIRECTION

REEL



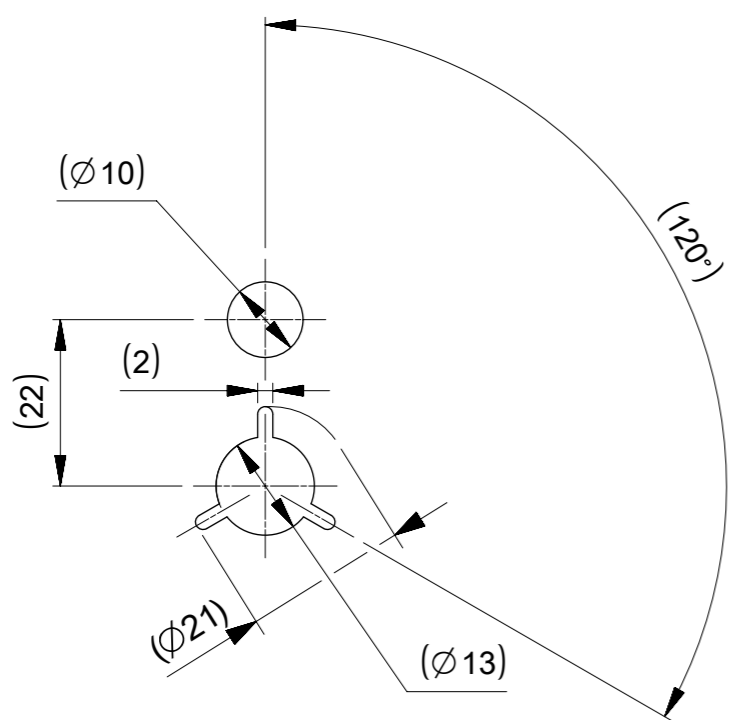
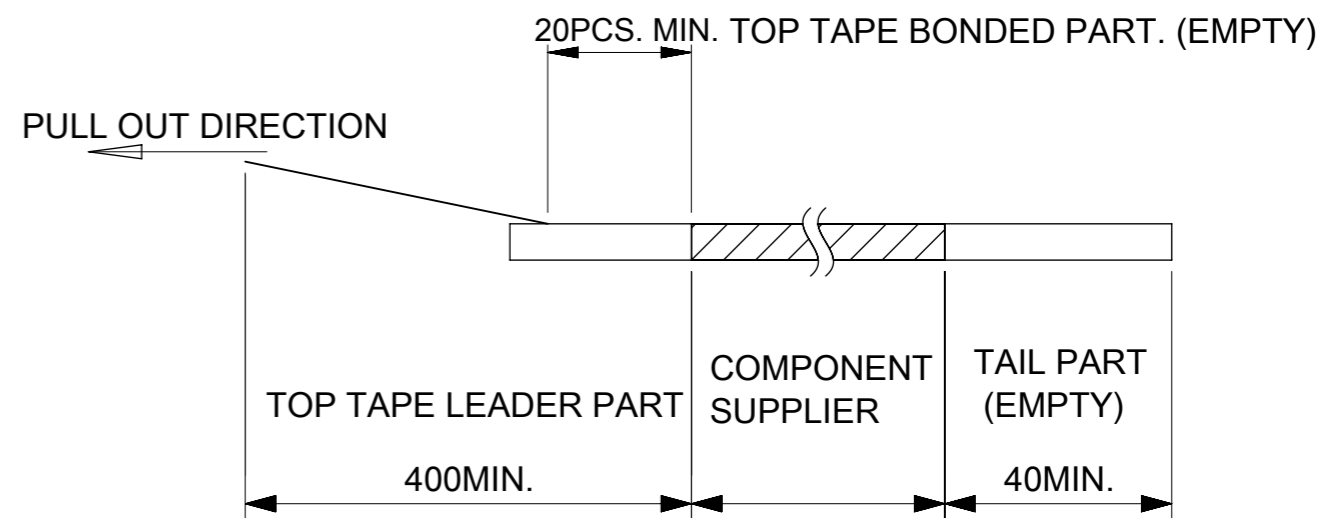
"D"

$B \pm 1$

$C \pm 1$

NOTES

1. DETAIL DIMENSION, SEE PRODUCT DRAWING.
2. NUMBER OF CONNECTORS : 3300 PCS/REEL.
NUMBER OF DELIVERY UNIT : 20,30 CKT. 13200 PCS/CARTON.
40~60 CKT. 9900 PCS/CARTON.
3. LEAD TAPE LENGTH.

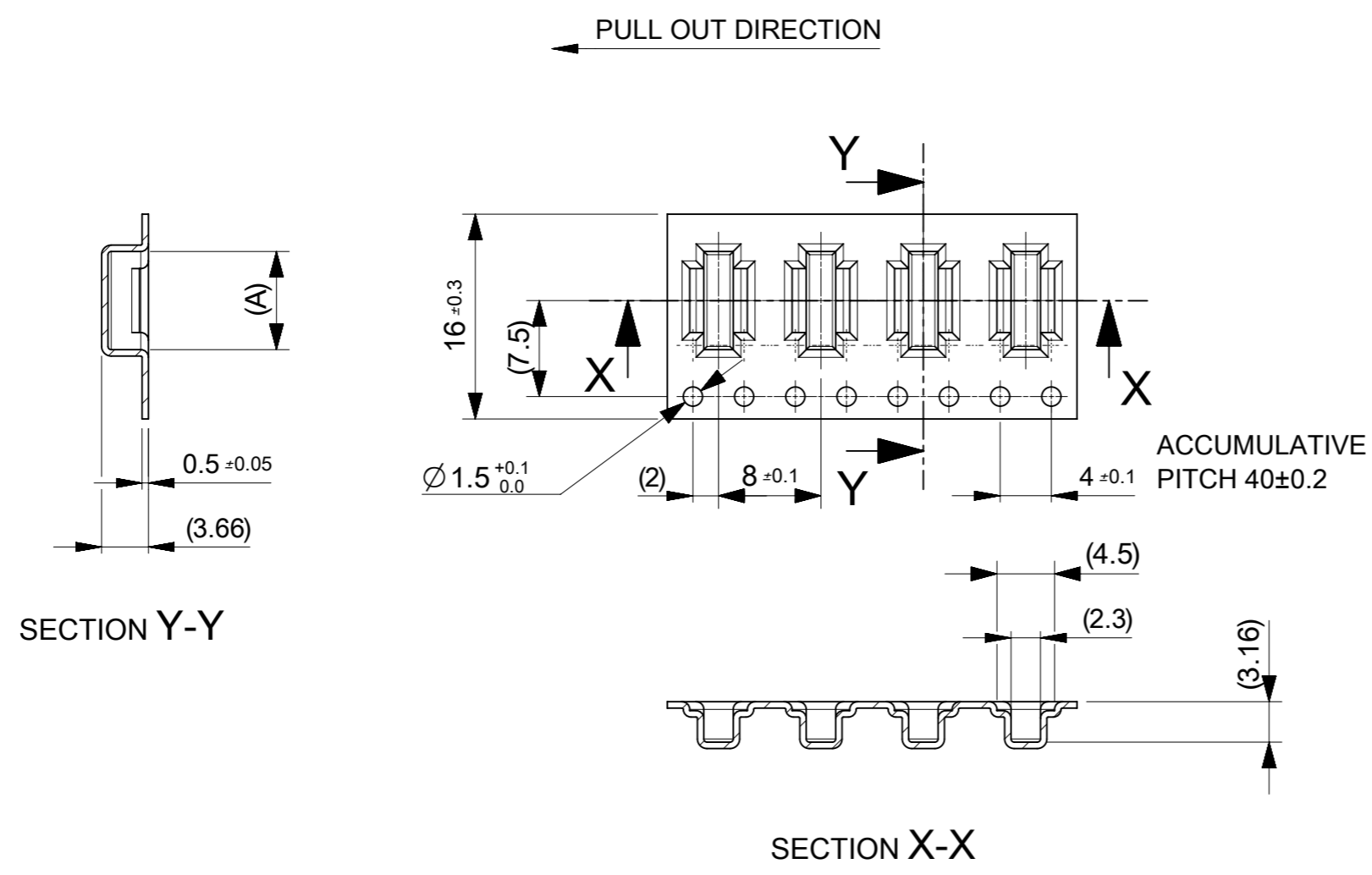


DETAIL "D"

4. TOP TAPE PEEL FORCE IS DEFINED BY IEC60286-3
5. MATERIAL
CARRER TAPE :POLYSTYRENE
TOP TAPE :PET , OTHER
REEL :POLYSTYRENE(PS)(RECYCLE MATERIAL CONTAINED)
6. ELV AND RoHS COMPLIANT

MODEL NO. 2039550**2
2039550**3

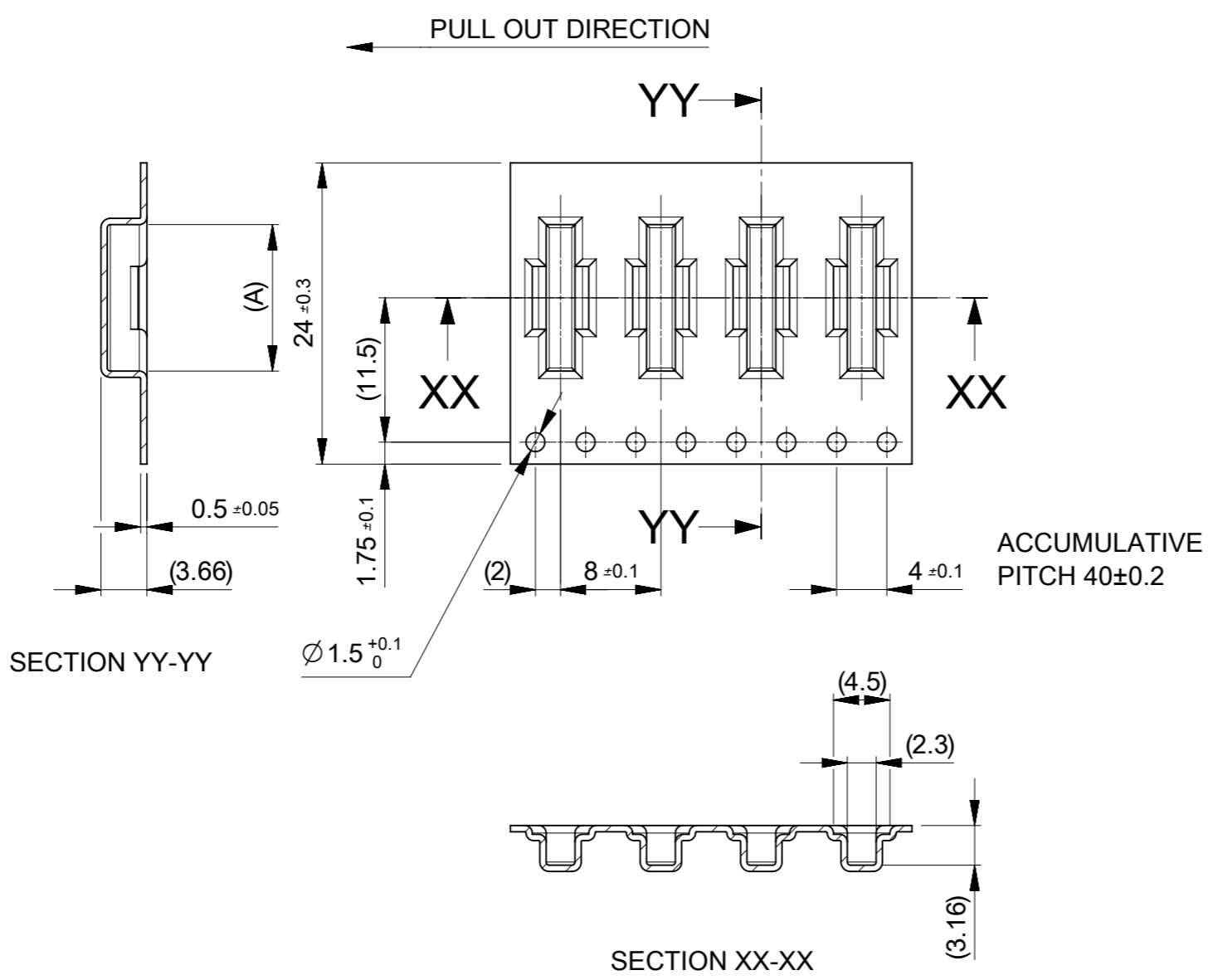
THIS DRAWING CONTAINS INFORMATION THAT IS PROPRIETARY TO MOLEX ELECTRONIC TECHNOLOGIES, LLC AND SHOULD NOT BE USED WITHOUT WRITTEN PERMISSION										
DIMENSION UNITS	SCALE	CURRENT REV DESC:			molex					
mm	1:1									
GENERAL TOLERANCES (UNLESS SPECIFIED)		EC NO: 623405			0.4 FLOATING BB REC EMBOSSTP PKG.					
ANGULAR TOL	± °	DRWN: JFURUKAWA 2019/09/02			PRODUCT CUSTOMER DRAWING					
4 PLACES	±	CHK'D: YNAITO 2019/09/18			DOCUMENT NUMBER					
3 PLACES	±	APPR: RTAKEUCHI 2019/09/18			2039550000			DOC TYPE	DOC PART	REVISION
2 PLACES	±	INITIAL REVISION:			PSD 002 B					
1 PLACE	±	DRWN: YSEKI01 2019/07/09			MATERIAL NUMBER					
0 PLACES	±	APPR: RTAKEUCHI 2019/07/16			CUSTOMER					
DRAFT WHERE APPLICABLE MUST REMAIN WITHIN DIMENSIONS		THIRD ANGLE PROJECTION	DRAWING	SERIES	SHEET NUMBER		SHEET NUMBER			
			A3-SIZE	203955	SEE CHART	GENERAL	1 OF 3			



16	21.4	17.4	7.67	2039550302	2039550303	○	---	30
			5.67	2039550202	2039550203	○	---	20
キャリアテープ幅 CARRIER TAPE WIDTH	C	B	(A)	WITHOUT COVER TAPE	WITH COVER TAPE	HIGH VOL. TOOL	LOW VOL. TOOL	CIRCUIT
				MATERIAL No.		SAMPLE PREPARATION		

THIS DRAWING CONTAINS INFORMATION THAT IS PROPRIETARY TO MOLEX ELECTRONIC TECHNOLOGIES, LLC AND SHOULD NOT BE USED WITHOUT WRITTEN PERMISSION

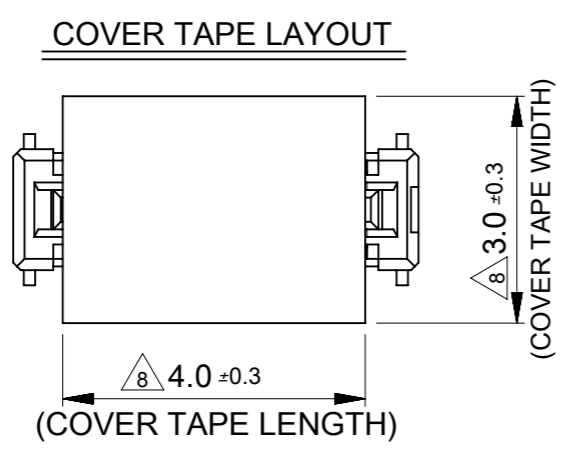
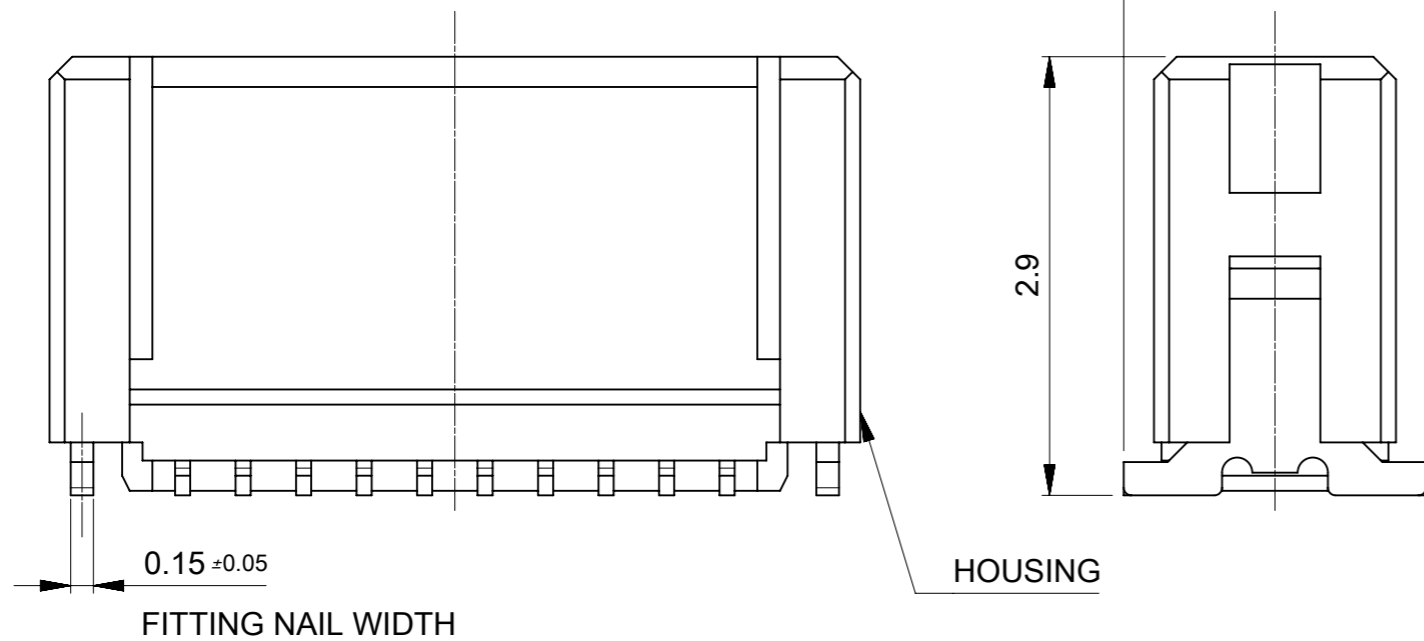
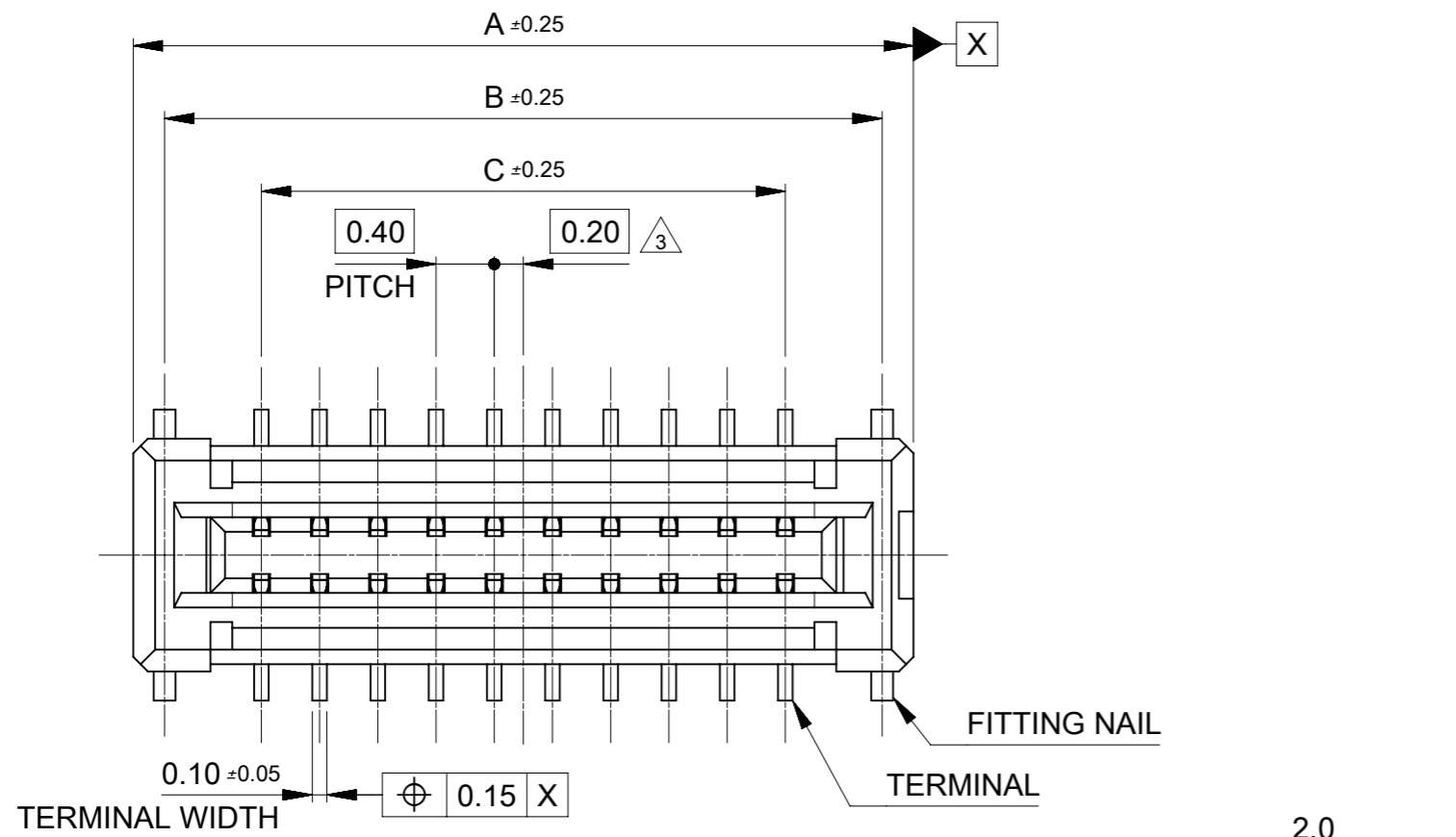
DIMENSION UNITS mm	SCALE 2:1	CURRENT REV DESC:		molex		
GENERAL TOLERANCES (UNLESS SPECIFIED)		EC NO: 623405				
ANGULAR TOL ± °		DRWN: JFURUKAWA 2019/09/02		PRODUCT CUSTOMER DRAWING		
4 PLACES ±		CHK'D: YNAITO 2019/09/18		DOCUMENT NUMBER		
3 PLACES ±		APPR: RTAKEUCHI 2019/09/18		2039550000		
2 PLACES ±		INITIAL REVISION:		DOC TYPE	DOC PART	REVISION
1 PLACE ±		DRWN: YSEKI01 2019/07/09		PSD	002	B
0 PLACES ±		APPR: RTAKEUCHI 2019/07/16				
DRAFT WHERE APPLICABLE MUST REMAIN WITHIN DIMENSIONS	THIRD ANGLE PROJECTION	DRAWING	SERIES	MATERIAL NUMBER	CUSTOMER	SHEET NUMBER
		A3-SIZE	203955	SEE CHART	GENERAL	2 OF 3



24	29.4	25.4	13.67	2039550602	2039550603	○	---	60
			11.67	2039550502	2039550503	○	---	50
			9.67	2039550402	2039550403	○	---	40
キャリアテープ幅 CARRIER TAPE WIDTH	C	B	(A)	WITHOUT COVER TAPE	WITH COVER TAPE	HIGH VOL. TOOL	LOW VOL. TOOL	CIRCUIT
				MATERIAL No.		SAMPLE PREPARATION		

THIS DRAWING CONTAINS INFORMATION THAT IS PROPRIETARY TO MOLEX ELECTRONIC TECHNOLOGIES, LLC AND SHOULD NOT BE USED WITHOUT WRITTEN PERMISSION

DIMENSION UNITS	SCALE	CURRENT REV DESC:				
mm	2:1	molex 0.4 FLOATING BB REC EMBOSSTP PKG. PRODUCT CUSTOMER DRAWING				
GENERAL TOLERANCES (UNLESS SPECIFIED)						
ANGULAR TOL	± °					
4 PLACES	±					
3 PLACES	±					
2 PLACES	±	EC NO: 623405 DRWN: JFURUKAWA 2019/09/02 CHK'D: YNAITO 2019/09/18 APPR: RTAKEUCHI 2019/09/18				
1 PLACE	±	INITIAL REVISION: DRWN: YSEKI01 2019/07/09 APPR: RTAKEUCHI 2019/07/16				
0 PLACES	±	DOCUMENT NUMBER: 2039550000 DOC TYPE: PSD DOC PART: 002 REVISION: B				
DRAFT WHERE APPLICABLE MUST REMAIN WITHIN DIMENSIONS	THIRD ANGLE PROJECTION	DRAWING	SERIES	MATERIAL NUMBER	CUSTOMER	SHEET NUMBER
		A3-SIZE	203955	SEE CHART	GENERAL	3 OF 3



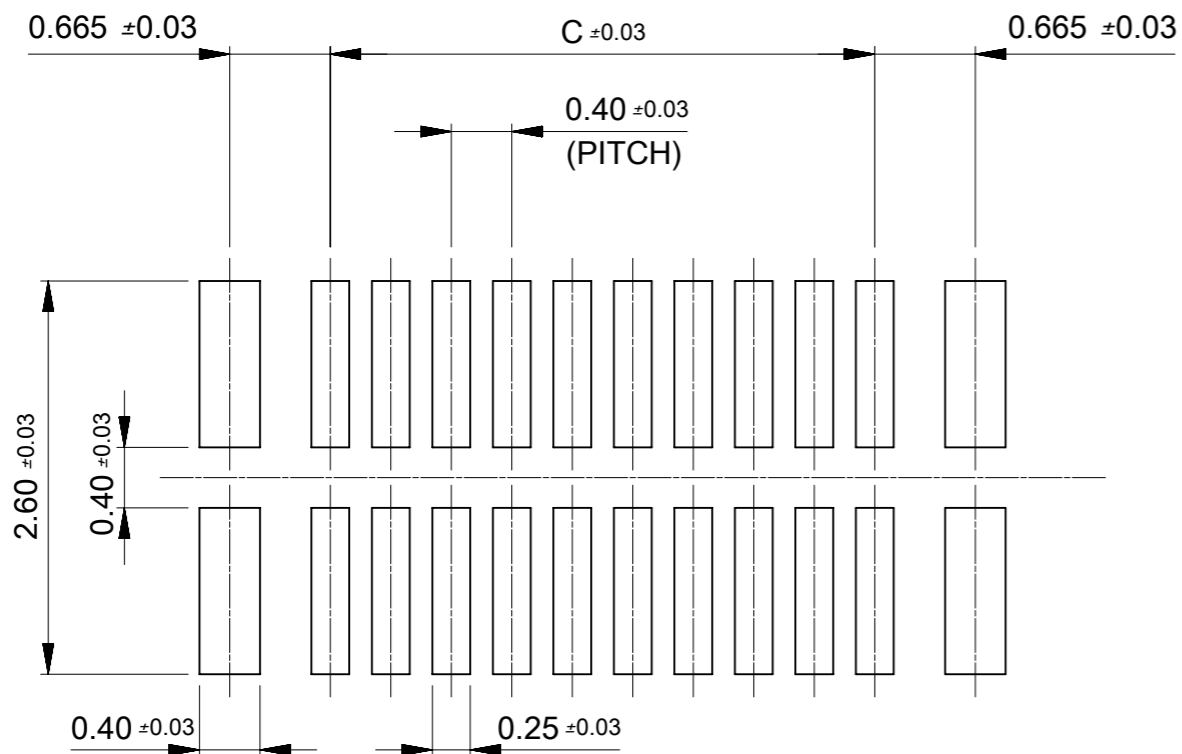
- 1 MATERIAL
 WAFER: LIQUID CRYSTAL POLYMER UL94V-0 (COLOR : BLACK)
 TERMINAL: COPPER ALLOY
 FITTING NAIL: COPPER ALLOY
 COVER TAPE: POLYIMIDE
- 2 PLATING
 TERMINAL :
 CONTACT AREA: GOLD PLATING.
 SOLDER TAIL AREA: GOLD PLATING.
 UNDERPLATE: NICKEL OVERALL.
 FITTING NAIL:
 SURFACE: TIN OVERALL
 UNDERPLATE: NICKEL OVERALL.
- $\triangle 3$ APPLY FOR (CIRCUIT/2)=EVEN.
- 4 MATE WITH :203956****
- 5 TAIL COPLANARITY TO BE 0.1 MAXIMUM.
- 6 ELV and RoHS COMPLIANT.
- $\triangle 7$ STACK HEIGHT IS KEPT FIXDLY BY A SPACER.
- $\triangle 8$ ALL CIRCUIT IS COMMON LENGTH.

11.6	12.93	13.36	2039550602	2039550603	○	---	60
9.6	10.93	11.36	2039550502	2039550503	○	---	50
7.6	8.93	9.36	2039550402	2039550403	○	---	40
5.6	6.93	7.36	2039550302	2039550303	○	---	30
3.6	4.93	5.36	2039550202	2039550203	○	---	20
C	B	A	WITHOUT COVER TAPE	WITH COVER TAPE	HIGH VOL. TOOL	LOW VOL. TOOL	CIRCUIT
EMBOSSED TAPE PACKAGE ORDER NO.					SAMPLE PREPARATION ○ : TOOLED \triangle : WORK IN PROCESS ---: TOOLING TO BE CONFIRMED		

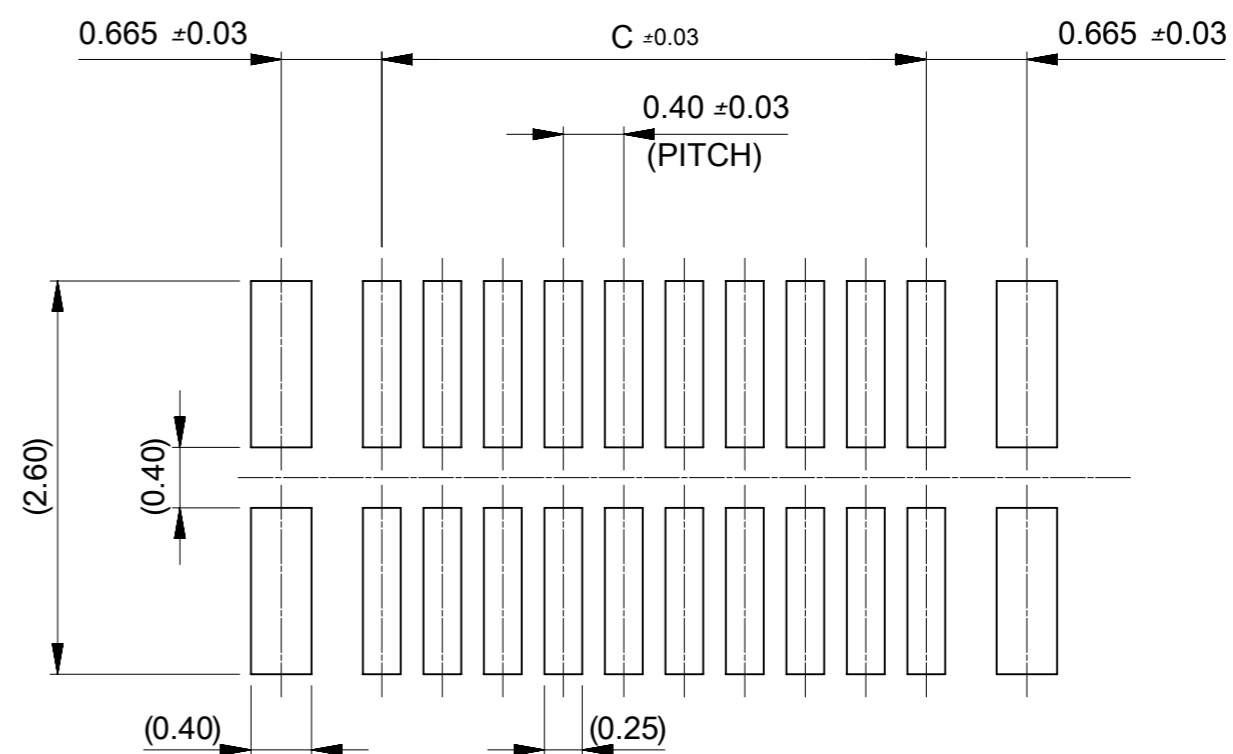
CONNECTOR SERIES NO. : 2039551**1 (WITH COVER TAPE)
 2039551**2 (WITHOUT COVER TAPE)

THIS DRAWING CONTAINS INFORMATION THAT IS PROPRIETARY TO MOLEX ELECTRONIC TECHNOLOGIES, LLC AND SHOULD NOT BE USED WITHOUT WRITTEN PERMISSION

DIMENSION UNITS mm	SCALE 20:1	CURRENT REV DESC: RELEASED		molex			
GENERAL TOLERANCES (UNLESS SPECIFIED)		EC NO: 623405					0.4 FLOATING BB CONN. H=5 REC ASSY
ANGULAR TOL	$\pm 1.0^\circ$	DRWN: JFURUKAWA	2019/09/02	PRODUCT CUSTOMER DRAWING			
4 PLACES	± 0.2	CHK'D: YNAITO	2019/09/18	DOCUMENT NUMBER			
3 PLACES	± 0.2	APPR: RTAKEUCHI	2019/09/18	2039551000-SD		DOC TYPE	
2 PLACES	± 0.2	INITIAL REVISION:		000	REVISION		
1 PLACE	± 0.2	DRWN: YSEKI01	2019/07/30	B			
0 PLACES	± 0.2	APPR: RTAKEUCHI	2019/08/01	SHEET NUMBER			
DRAFT WHERE APPLICABLE MUST REMAIN WITHIN DIMENSIONS		THIRD ANGLE PROJECTION	DRAWING	SERIES	MATERIAL NUMBER	CUSTOMER	SHEET NUMBER
			A3-SIZE	203955	SEE CHART	GENERAL	1 OF 2

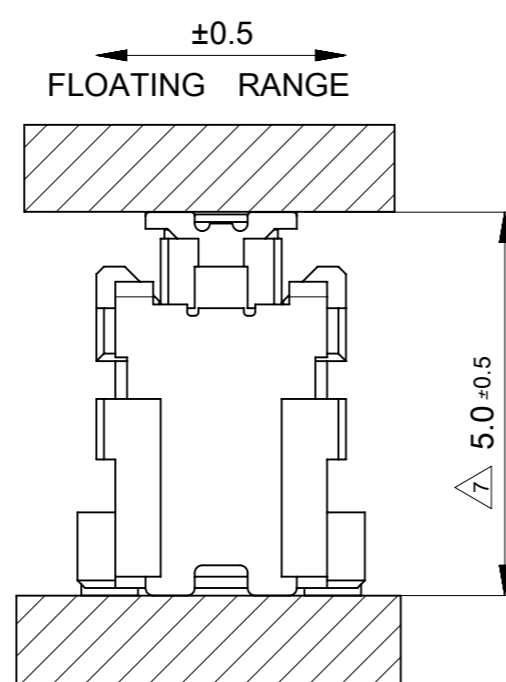
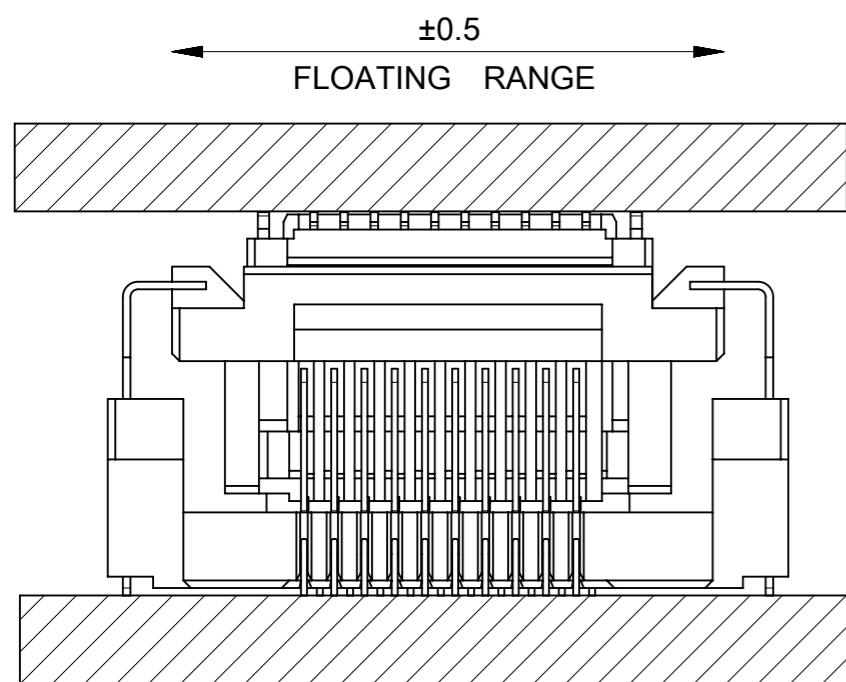


RECOMMENDED P.W.BOARD PATTERN LAYOUT(REFERENCE)



RECOMMENDED METAL MASK LAYOUT(REFERENCE)

RECOMMENDED THICKNESS OF METAL MASK : t=0.1mm
 RECOMMENDED OPEN APERTURE RATIO OF METAL MASK : 100%



THIS DRAWING CONTAINS INFORMATION THAT IS PROPRIETARY TO MOLEX ELECTRONIC TECHNOLOGIES, LLC AND SHOULD NOT BE USED WITHOUT WRITTEN PERMISSION											
DIMENSION UNITS		SCALE		CURRENT REV DESC: RELEASED				molex			
mm		20:1									
GENERAL TOLERANCES (UNLESS SPECIFIED)											
ANGULAR TOL		± 1.0 °		EC NO: 623405							
4 PLACES		± 0.2		DRWN: JFURUKAWA		2019/09/02					
3 PLACES		± 0.2		CHK'D: YNAITO		2019/09/18					
2 PLACES		± 0.2		APPR: RTAKEUCHI		2019/09/18					
1 PLACE		± 0.2		INITIAL REVISION:							
0 PLACES		± 0.2		DRWN: YSEKI01		2019/07/30					
				APPR: RTAKEUCHI		2019/08/01					
DRAFT WHERE APPLICABLE MUST REMAIN WITHIN DIMENSIONS			THIRD ANGLE PROJECTION		DRAWING		SERIES		MATERIAL NUMBER	CUSTOMER	SHEET NUMBER
					A3-SIZE		203955		SEE CHART	GENERAL	2 OF 2