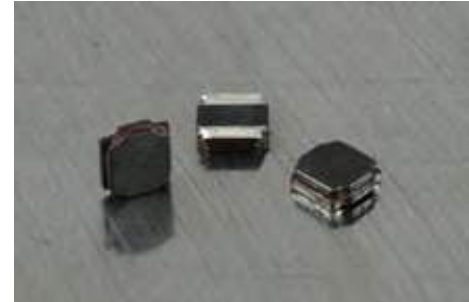
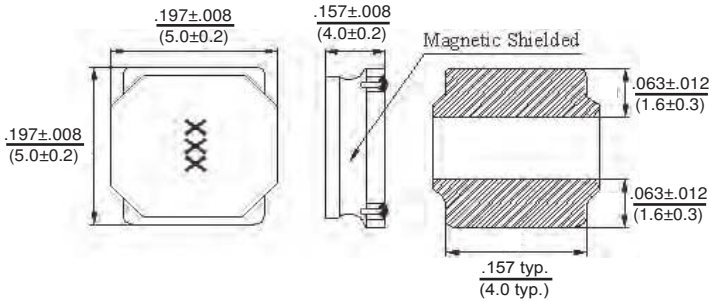




SMD SHIELDED POWER CHIP INDUCTOR

PCSV54

Dimensions: Inches
(mm)



Allied Part Number	Inductance (µh)	Tolerance (%)	Test Freq. Khz, 1V	RDC (mΩ) ±30%	Isat (A) Typ.	Irms (A) Typ.	Marking
PCSV54-1R5T-RC	1.5	30	100	16	7.1	4.4	1R5
PCSV54-2R2T-RC	2.2	30	100	21	5.7	3.7	2R2
PCSV54-3R3T-RC	3.3	30	100	26	4.8	3.5	3R3
PCSV54-4R7M-RC	4.7	20	100	32	4.2	3.2	4R7
PCSV54-6R8M-RC	6.8	20	100	50	3.3	2.4	6R8
PCSV54-100M-RC	10	20	100	60	2.8	2.2	100
PCSV54-150M-RC	15	20	100	90	2.3	1.8	150
PCSV54-220M-RC	22	20	100	135	1.8	1.4	220
PCSV54-330M-RC	33	20	100	190	1.5	1.1	330
PCSV54-470M-RC	47	20	100	310	1.2	0.9	470

All specifications subject to change without notice.

Features

- Magnetically Shielded Construction
- Ultra Low Profile

Electrical

Inductance Range: 1.5µh ~ 47µh (other values being added)
Tolerance: Available in 20% & 30% as noted
Operating Temp: -25°C ~ +105°C
Isat: Current at which the Inductance will drop by no more than 30% of its initial value.
Irms: Based on a temp rise of ΔT = 40°C typical at 25°C Ambient.

Resistance to Soldering Heat

Pre-Heat 150°C, 1 Min.
Solder Composition: Sn/Ag3.0/Cu0.5
Solder Temp: 260°C +/- 5°C for 10 sec

Test Equipment

(L): Agilent/HP4284A + Agilent/HP16334A
(RDC): Chroma MilliOhm Meter Mode16502
Current: HP4284A + HP42841A
 Irms: Agilent 6641 System DC Power Supply

Physical

Packaging: 1500 per Tape and reel
Marking: EIA Inductance Code