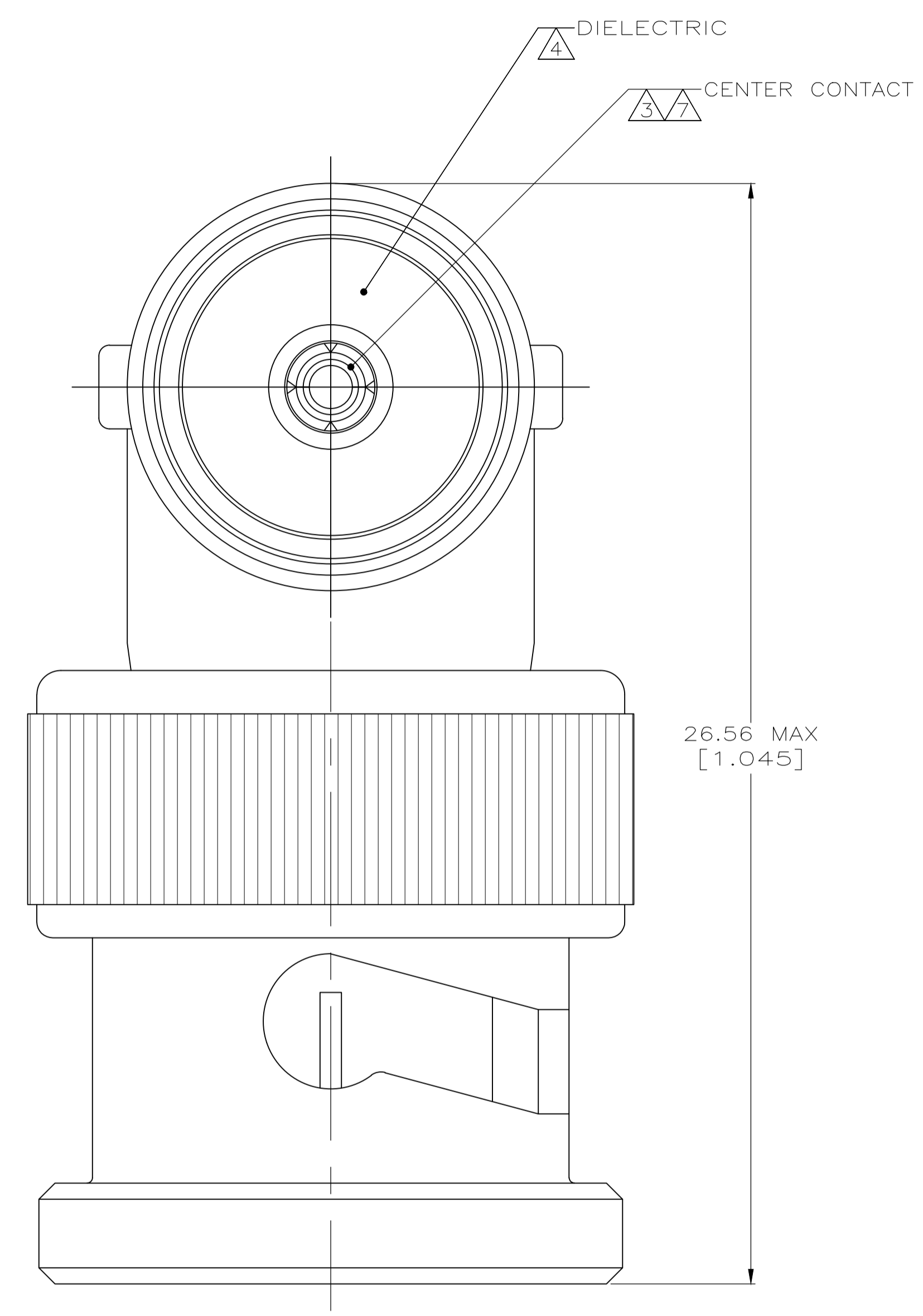
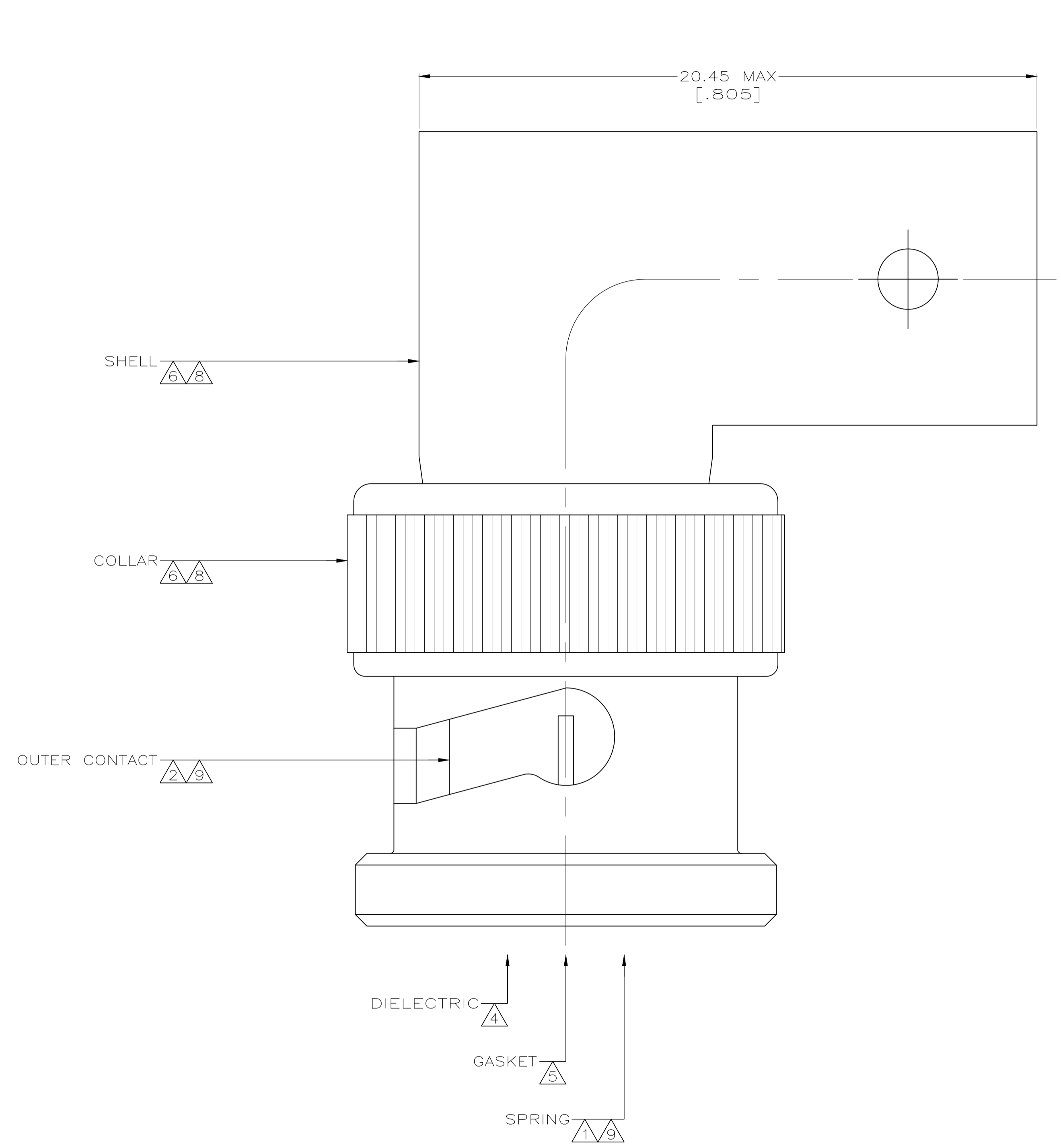


REVISIONS					
P	LTR	DESCRIPTION	DATE	DMN	APVD
A1		ECR-19-008686	25JUN2019	RZ	RS

- ① CARBON STEEL PER ASTM-A-108
- ② BRASS PER ASTM-B-16
- ③ PHOSPHOR BRONZE PER ASTM-B-139
- ④ POLYMETHYLPENTENE: GENERAL PURPOSE
- ⑤ SILICONE RUBBER PER ZZ-R-765
- ⑥ ZINC DIE CAST PER ASTM-B-86
- ⑦ GOLD PLATE PER ASTM-B-488, 0.76µm [.000030] MIN THICKNESS
- ⑧ NICKEL PLATE PER QQ-N-290, 1.27µm [.000050] MIN THICKNESS
- ⑨ NICKEL PLATE PER QQ-N-290, 2.54µm [.000100] MIN THICKNESS



5415020-1  
 PART NUMBER

THIS DRAWING IS A CONTROLLED DOCUMENT.		DIN L VARELA - DOCKIS 18APR2005		TE Connectivity	
DIMENSIONS: mm [INCHES]		CHK J HAVENER 18APR2005		NAME PLUG-JACK ADAPTER, RIGHT ANGLE, 75 OHM, BNC	
TOLERANCES UNLESS OTHERWISE SPECIFIED:		APVD J LIPPERT 18APR2005		PRODUCT SPEC 108-12096	
0 PLC ± -		APPLICATION SPEC		RESTRICTED TO	
1 PLC ± -		SIZE		CAGE CODE	
2 PLC ± -		A1		DRAWING NO	
3 PLC ± -		00779		5415020	
4 PLC ± -		WEIGHT 0.000000		SCALE 10:1	
ANGLES ± -		CUSTOMER DRAWING		SHEET 1 OF 1	
MATERIAL SEE NOTES		FINISH SEE NOTES		REV A1	