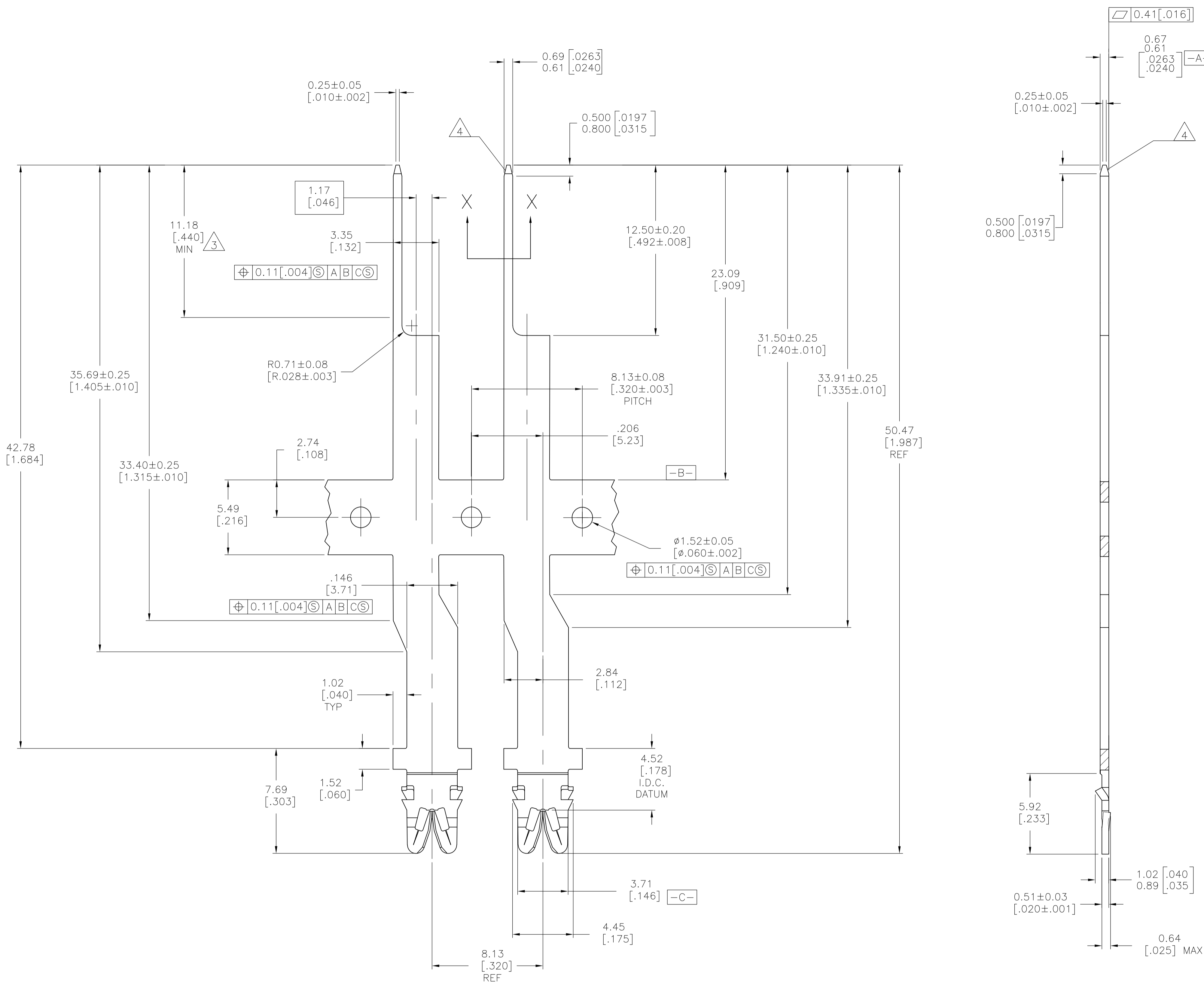


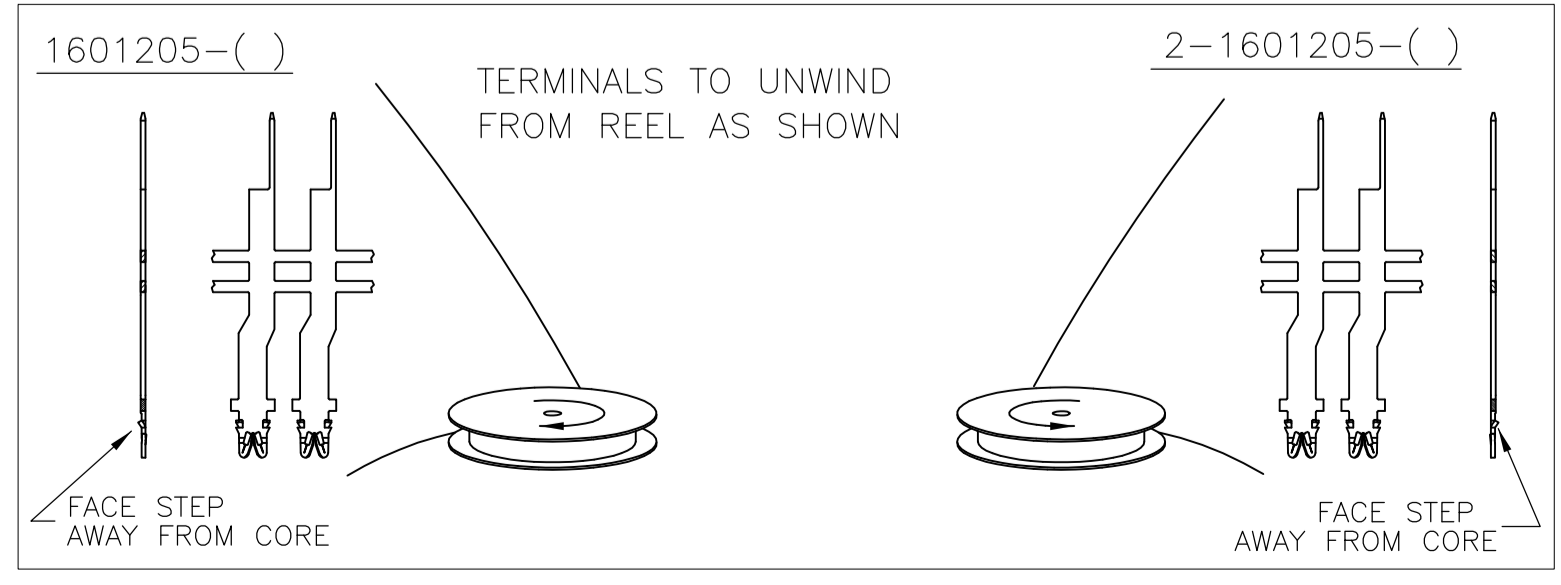
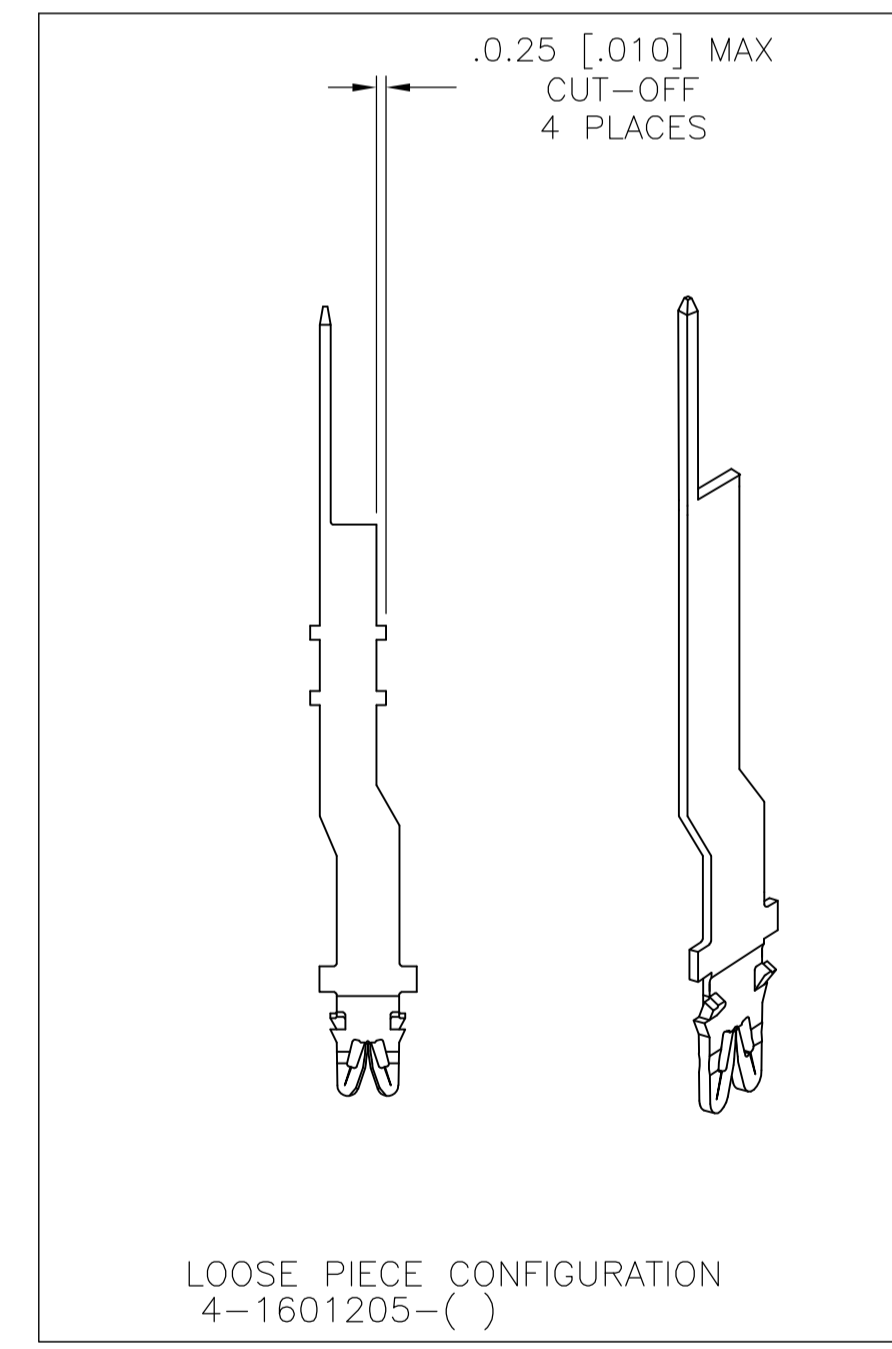
LOC		DIST		REVISIONS			
P	LTR	DESCRIPTION	DATE	DMN	APVD		
A1	REVISED PER	ECR-09-014493	30JUN09	HMR	GJ		



- SPECIFICATIONS: MAGNET WIRE RANGE; #18-#34 0.16-1.02mm [.006-.040] DIA COPPER. OTHER SIZES MAY BE ACCOMMODATED, CONSULT TYCO ELECTRONICS FOR APPROVAL.
- POCKET RECOMMENDATION: 1601474.
- THIS LENGTH TO BE COINED ON ALL 4 CORNERS WITH NO BURRS. MAX RADIUS AS SHOWN IN SECTION X-X
- TIP MAY BE RADIUS AND HAVE CONVEX SIDES WITHIN DIMENSIONS SHOWN.
- TERMINAL APPLICATION TO COMPLY WITH TYCO ELECTRONICS SPECIFICATION 114-13166.

SECTION X-X  
SCALE 12:1

R0.08 [.003] MAX 4 PLC NO BURRS



THIS DRAWING IS A CONTROLLED DOCUMENT.		DIN 28APR05		Tyco Electronics Corporation Harrisburg, PA 17105-3608	
DIMENSIONS: mm [INCHES]		TOLERANCES UNLESS OTHERWISE SPECIFIED:		APVD GENE JACONO 28APR05	
0 PLC ± -		1 PLC ± 0.25[.01]		NAME GENE JACONO	
2 PLC ± 0.13[.005]		3 PLC ± -		PRODUCT SPEC 108-2085	
4 PLC ± -		ANGLES ± - °		APPLICATION SPEC 5	
MATERIAL FULL HARD BRASS		FINISH SEE TABLE		WEIGHT -	
CUSTOMER DRAWING		SCALE 6:1		SHEET 1 OF 1 REV A1	