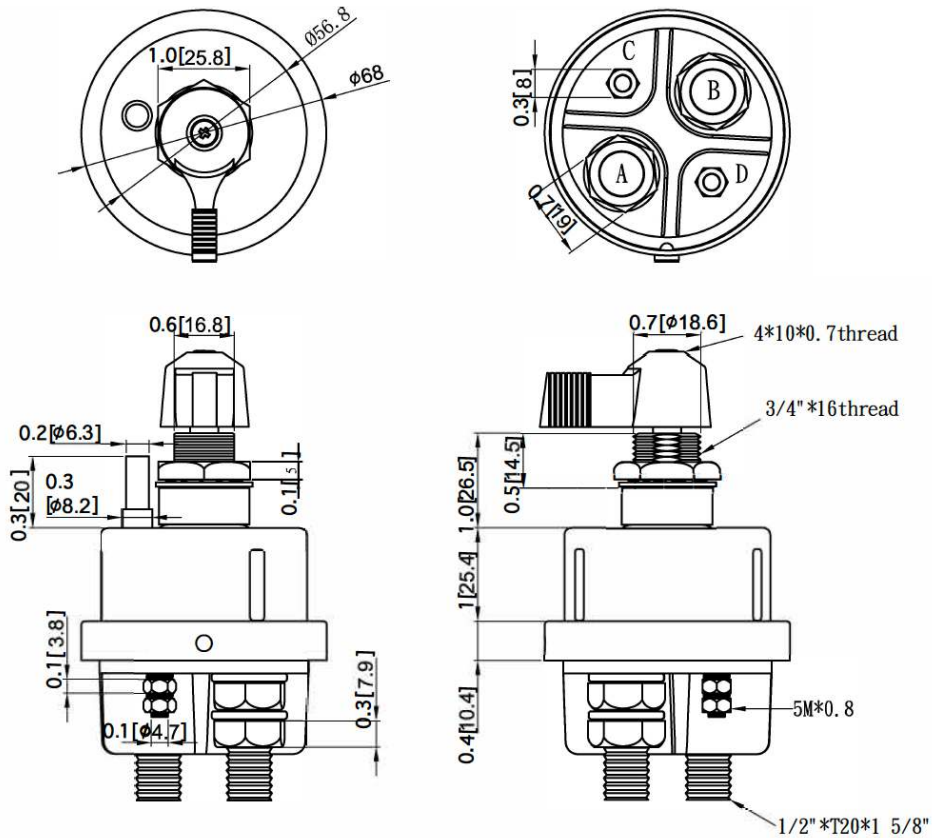
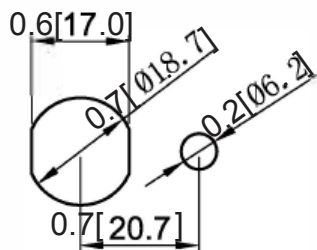


**Mechanical Dimensions: Inches [mm]**

Tolerances  $\pm 0.012$  [0.5] Unless Otherwise Specified

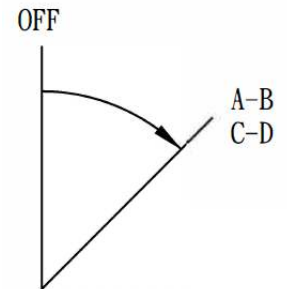


**Mounting Hole**



**Circuit Diagram**

**DPST:** For battery and alternator or generator field circuit.



**Electrical Specifications**

<b>Continuous Rating</b>	300A 6-36VDC (Large Studs), 20A 6-36VDC (Small Studs)
<b>Intermittent Rating</b>	2000A for 5secs intervals
<b>Inrush Rating</b>	1000A for 30secs intervals
<b>Insulation Resistance</b>	DC 500V 100M ohm Min
<b>Dielectric Strength</b>	AC 1000V 1 minute

**Material Specifications**

Steel construction
Sealed with O-rings at base and mounting stem
Case and terminal insulator
Copper terminals
IP67

Rev	Date of issue	Revision Notes	Designed	Approved
A	11-12-2019	Initial Drawing	RC	OF